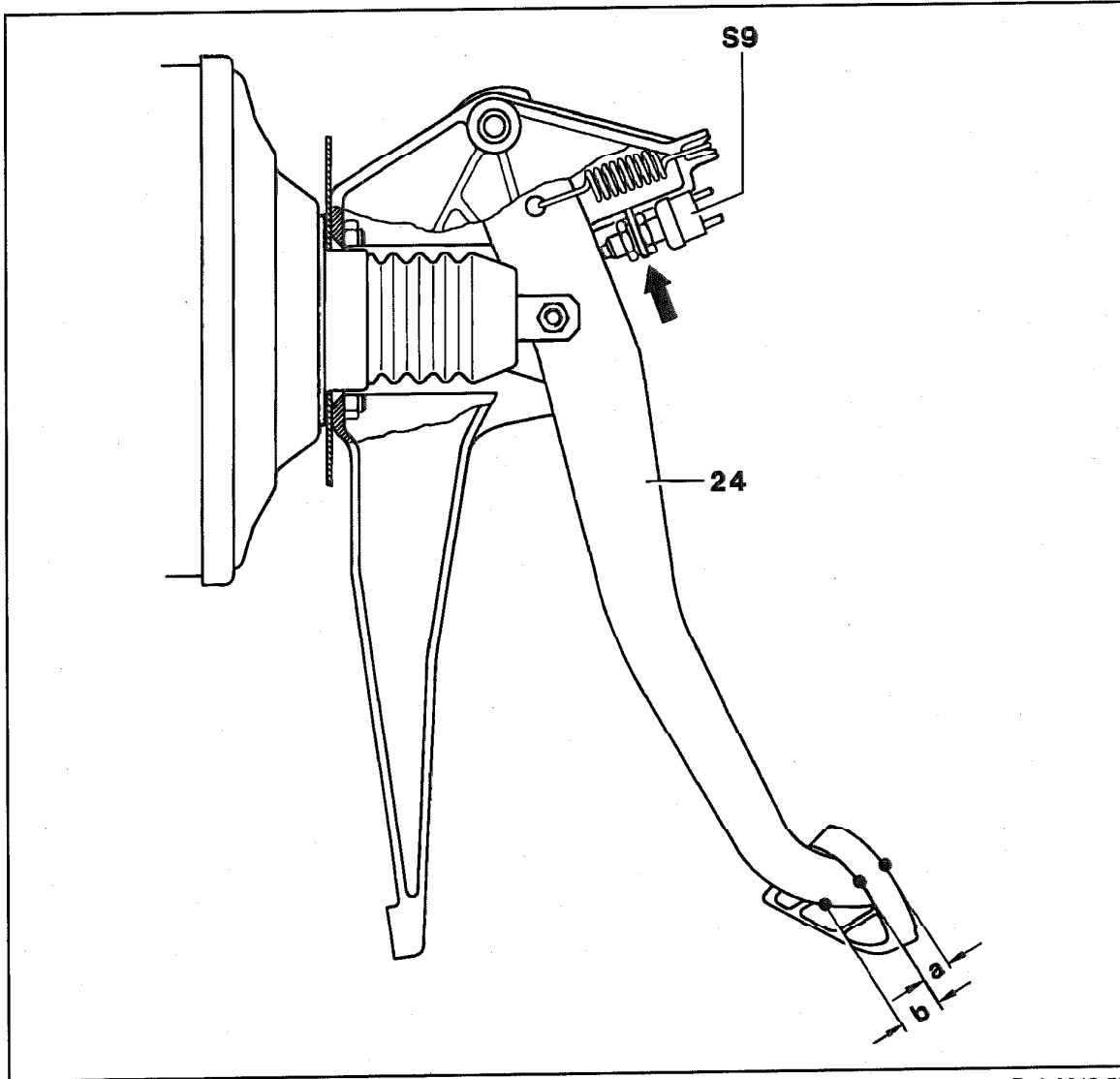


42-0040 R and R and adjust mechanical brake light switch

Preliminary work:
Remove cover below instrument panel
at left (68-0150).



P42-0248-59

Hex. nuts (arrow)	loosen, screw off.
Brake light switch (S9)	remove, install.
Brake light switch (S9)	adjust with two hex. nuts (arrow) and counter. The brake light should illuminate when the pedal has travelled 7-20 mm measured from the center of the pedal plate.