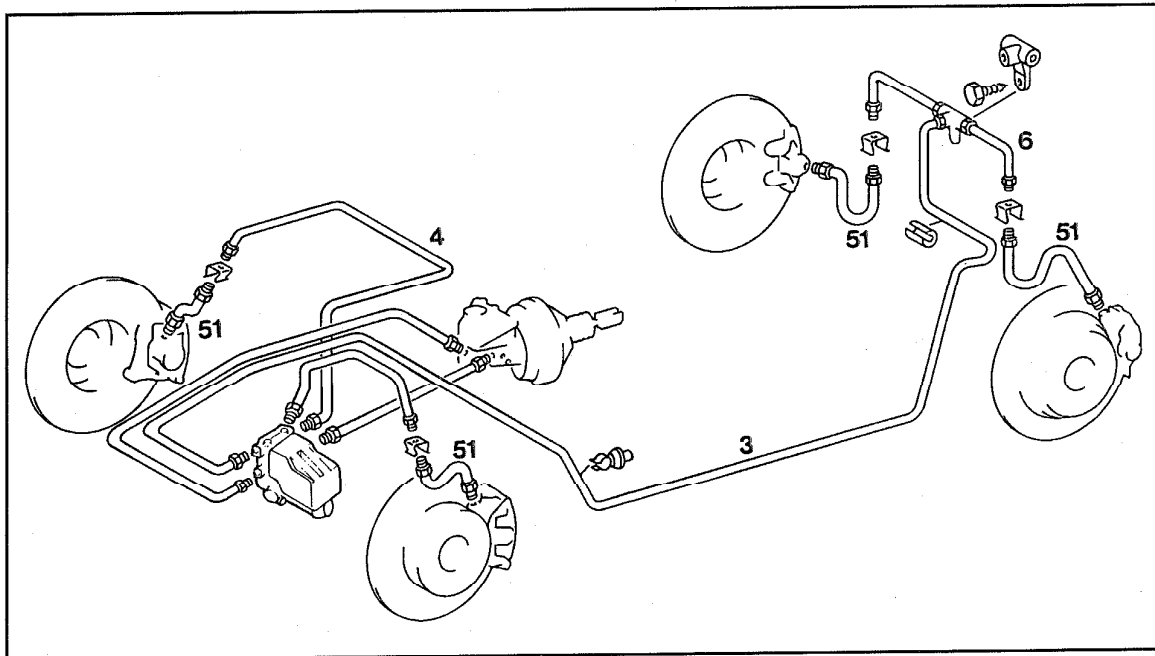


## 42-0012 Checking and cleaning brake lines and brake hoses



P42-0033-55

Check .....

pay particular attention to abraded points, corrosion and other damage, e.g. caused by flying rocks, etc., replace parts as required.

Clean .....

off dirt adhering to outside within scope of underbody wash with water.

Cover brake hoses for subsequent preservation treatments.

Do not use steel brushes, emery cloth, scrapers or sharp-edged tools on brake lines.

Do not use cleaning agents, sprays or preservation agents containing mineral oil on brake hoses.