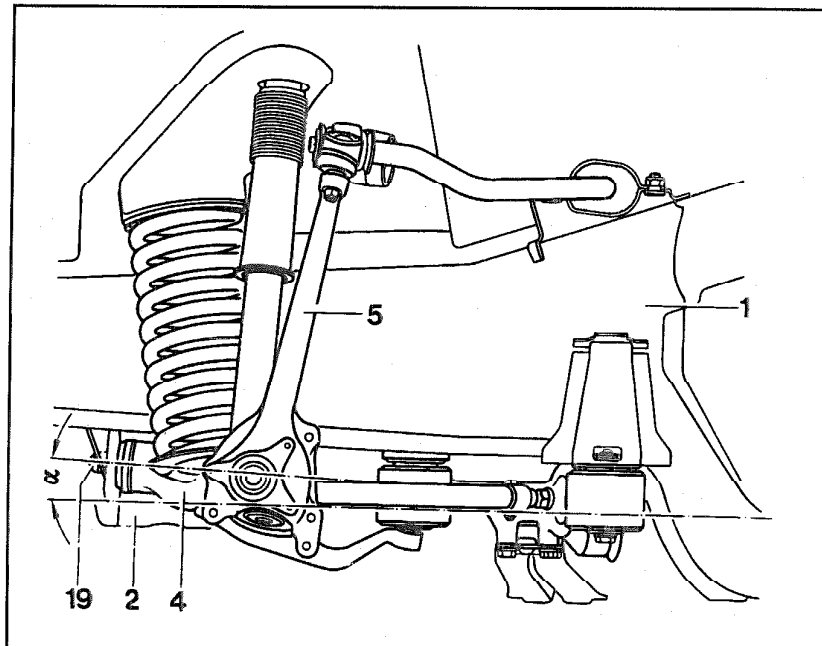


40-420 Checking inclination of lower control arm bushing

Data

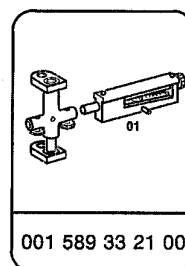
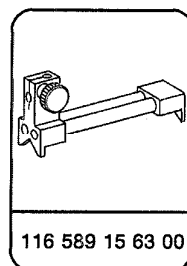
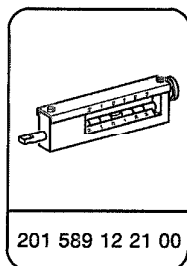
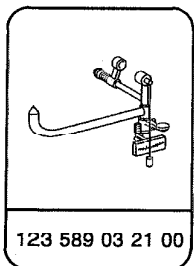
Inclination (α) of lower control arm bushing in relation to the horizontal (vehicle aligned horizontally in longitudinal direction)	$1^{\circ} 50' \begin{matrix} + 1^{\circ} \\ - 30' \end{matrix}$
Permissible difference of angle between left hand and right hand bushing	$0^{\circ} 30'$



- α Bushing angle of lower control arm in longitudinal direction of vehicle in relation to the horizontal
- 1 Frame side member
- 2 Frame cross member for front axle
- 4 Lower control arm
- 5 Steering knuckle
- 19 Eccentric screw

P40-0122-35

Special tools



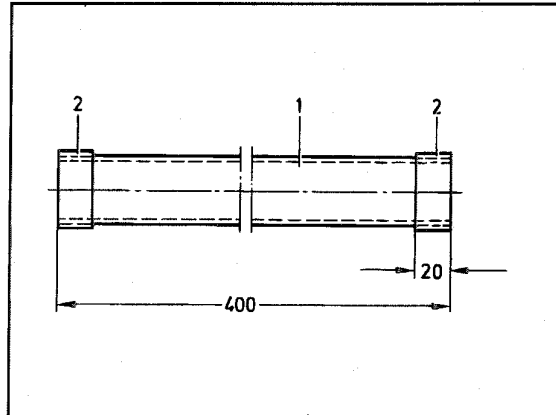
40-420 Checking inclination of lower control arm bushing

Self-made tool

Tubular ruler

Finish part 2 inside in such a manner that a light press fit on part 1 results. If necessary, fasten part 2 with thread locking compound.

- 1 Precision steel tube 38 x 2 DIN 2391
- 2 Precision steel tube 42 x 2.5 DIN 2391



P40-0132-13

Note

Checkups at front end or front axle bushing on frame floor for vehicles with front end damage following an accident consist of:

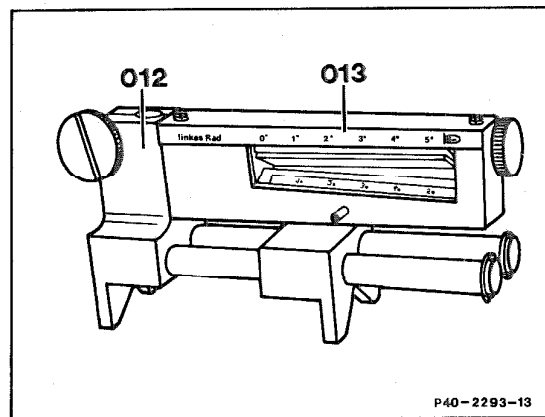
40-420 Checking inclination of lower control arm bushing.

Checkups are only required if axle base measurements (40-400) are not adequate for clear-cut diagnosis.

To measure inclination of lower control arm bushing, the vehicle must be accurately aligned horizontally in longitudinal direction.

Measuring of ball point position of steering linkage is directly associated with measuring bushing angle of lower control arms.

For measuring bushing angle of lower control arms, the vehicle should be aligned accurately horizontally both in longitudinal and transverse direction.



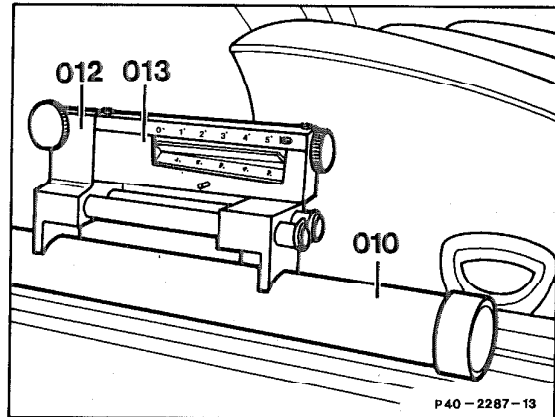
P40-2293-13

P40-2293-13

40-420 Checking inclination of lower control arm bushing

Check

1 Check position of vehicle in longitudinal direction. For this purpose, mount tubular ruler (010) with Vee-block (012) and bubble carrier (013) at entrance edges of front doors.

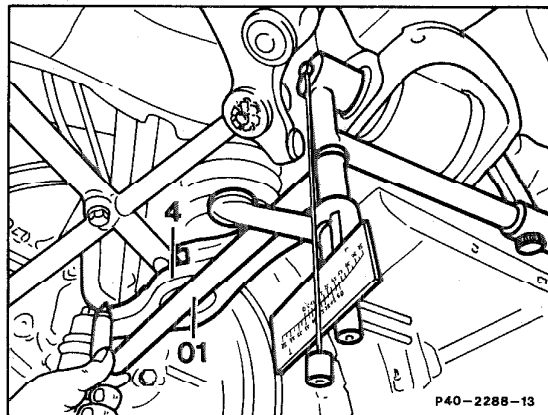


P40-2287-13

P40-2287-13

2 If required, compensate higher vehicle side by adding pertinent weight (in trunk or in legroom in front of front seats).

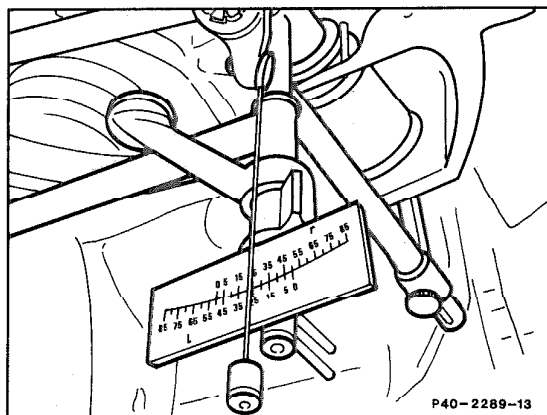
3 Insert measuring instrument for control arm position and ball point position (01) on bushing of lower control arm (4).



P40-2288-13

P40-2288-13

4 Hold arm of measuring instrument similar to measuring ball point position in a control arm position of 25 mm.

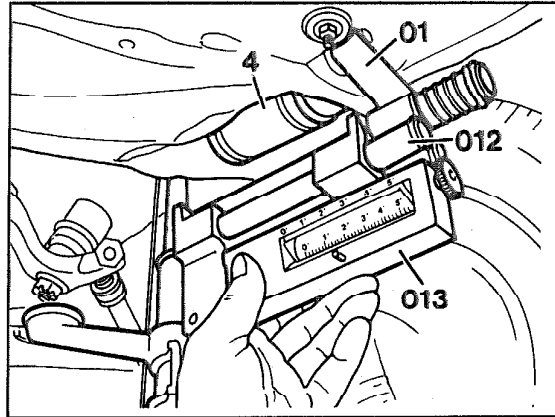


P40-2289-13

P40-2289-13

40-420 Checking inclination of lower control arm bushing

5 Measure angle of lower control arm bushing (4) left and right with bubble carrier (013) by means of Vee-block (012).



P40-2327-13