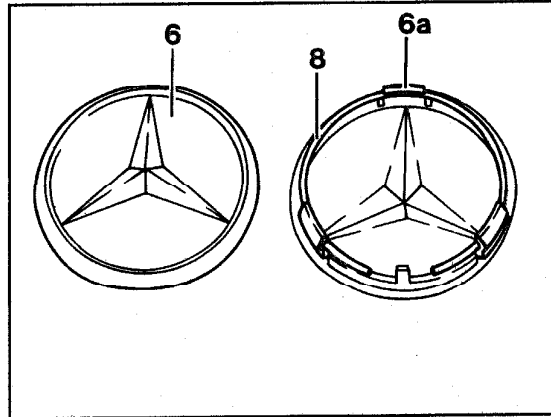


A. Center cap for light-alloy wheels with protruding hub

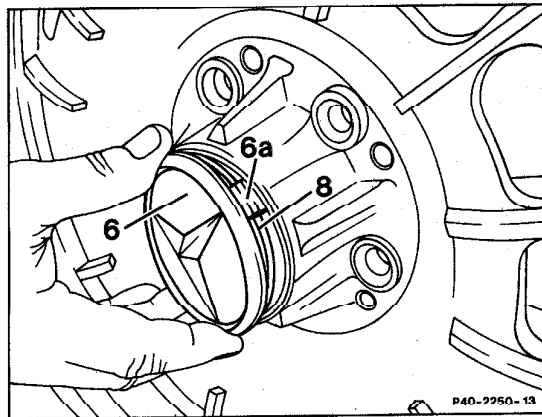
The plastic center cap (6) is attached by way of three retaining cams (6a) by the annular spring (8) in the hub of the wheel.



- 6 Plastic center cap
- 6a Retaining cam
- 8 Annular spring

P40-2248-13

For removing, carefully push out center cap from the wheel inside, for mounting, press on center cap with the palm of the hand.



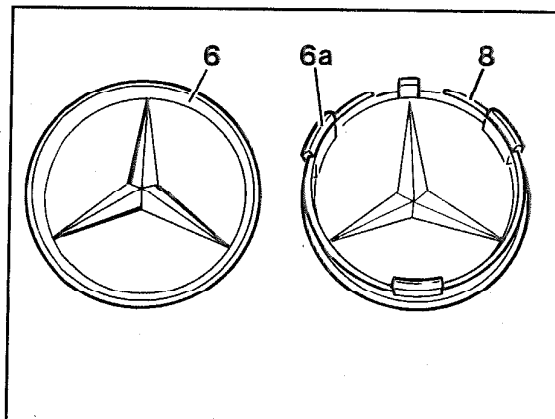
- 6 Plastic center cap
- 6a Retaining cam
- 8 Annular spring

P40-2250-13

40-0112 R and R center cap on light-alloy wheels

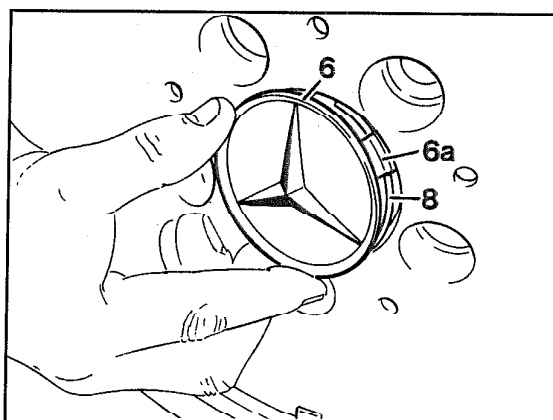
B. Center cap for light-alloy wheels with flush wheel disk

The plastic center cap (6) is attached in the wheel disk of the wheel by way of three retaining cams (6a) by the annular spring (8).



P40-2158-13

To remove, carefully push out center cap from the wheel inside, for mounting, press on center cap with the palm of the hand.



- 6 Plastic center cap
- 6a Retaining cam
- 8 Annular spring

P40-2159-13