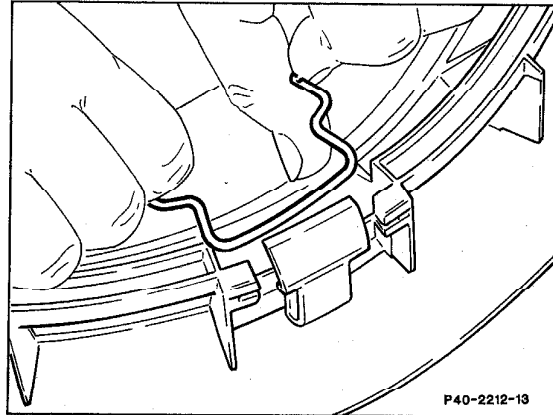


40-0111 R and R wheel cover retaining clip and spring

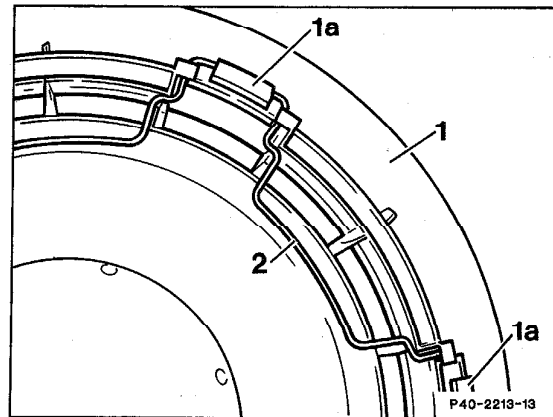
Removing, mounting

1 Compress annular spring of plastic wheel cover and pull out from or introduce into the respective slots of the wheel cover.



P40-2212-13

2 Check seat of annular spring (2). It must support the six retaining cams (1a) of the wheel cover (1) all-round.



P40-2213-13

- 1 Wheel cover
- 1a Retaining cams
- 2 Annular spring