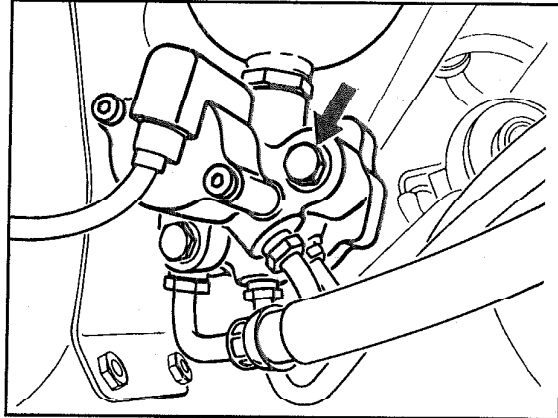


## 35-514 R and R ASD hydraulic unit

### **⚠ WARNING!**

Release pressure in hydraulic system. Screw pressure release screw out approx. 1/2 turn (arrow, see 35-511).



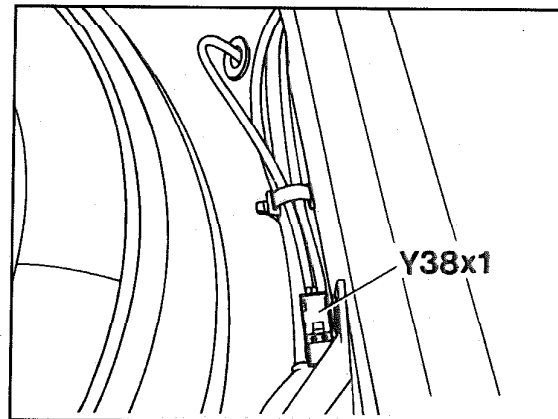
P35-2351-13

### **Removal, installation**

1 Disconnect plug connector (Y38x1) from solenoid valve in spare tire well, plug in.

#### **Installation note**

Pay attention to correct line position and good seat of rubber sleeve.



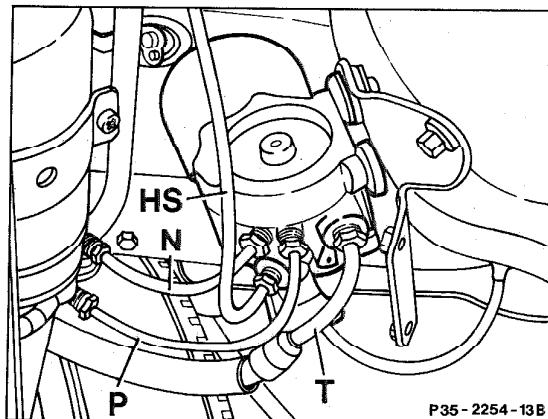
P35-2260-13

2 Screw off hydraulic lines to hydraulic unit (E1, E2, P1 and P2), screw on.

3 Seal off all connections to prevent penetration of contamination.

#### **Installation note**

Pay attention to leakage and good line position. Bleed air in hydraulic system (35-545).

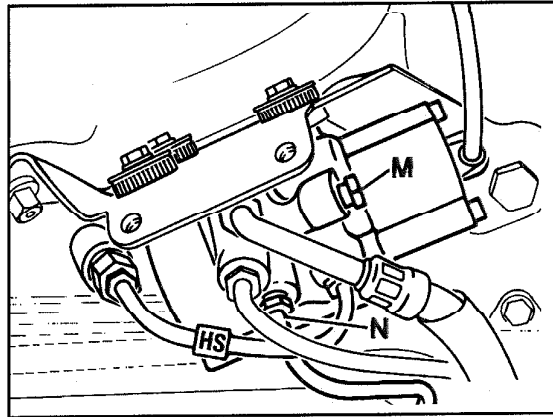


P35-2254-13B

P35-2254-13B

**⚠ CAUTION!**

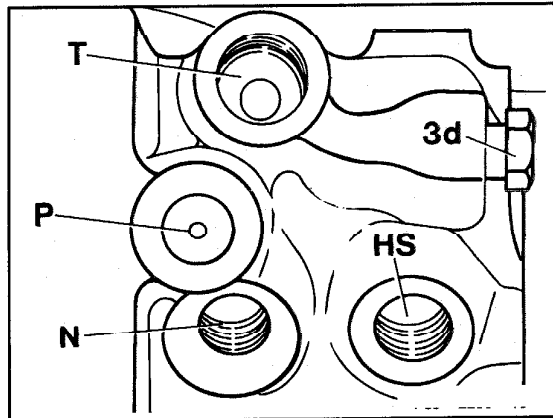
Do not mix up lines. Pay particular attention to connections with markings "N" and "HS".



P35-2347-13

Threads on line connections on reservoir charging valve:

Connection	Thread
HS/N/P	M12 × 1
T	M14 × 15

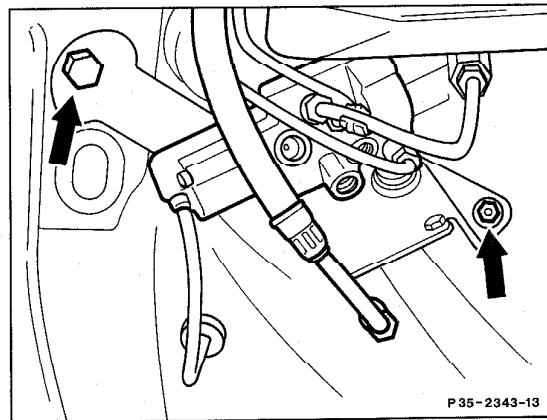


P35-2299-13

4 Completely remove hydraulic unit with mount on main frame member and spare tire well, connect (arrows).

**Installation note**

Replace self-locking hex. bolts and plastic nuts. Self-locking hex. head bolts 80 Nm, plastic nuts 2.5 Nm.



P35-2343-13

P35-2343-13

## 35-514 R and R ASD hydraulic unit

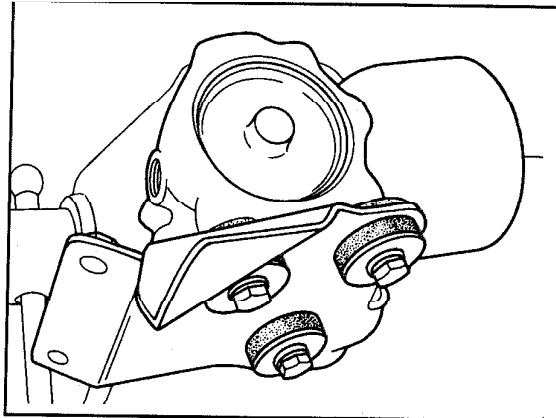
---

- 5 Screw hydraulic unit off of mount, screw on.

### Installation note

Check rubber buffer for wear and good seat.

Tightening torque 6.5 Nm.



P35-2342-13

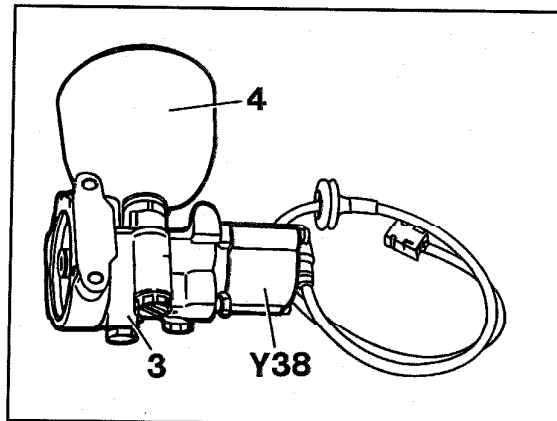
- 6 Screw off pressure reservoir (4), screw on.

### Installation note

Replace sealing ring between pressure reservoir and reservoir charging valve.

- 7 Check oil level in oil tank, correct if required.

- 8 Reinstall in opposite order.



P35-2257-13