

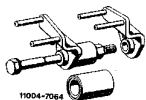
35-330 R and R link between coupled semi-trailing arm and caliper carrier

Diagonal swing axle with starting torque compensation

| Tightening torques | | Nm |
|---|--------------------------|----|
| Hex bolts for attaching link to caliper carrier | | 25 |
| Necked-down bolt for attaching torsion bar to wheel carrier | | 80 |
| Hex bolts for attaching rear axle shaft to rear axle shaft flange | 1st version (M 12) | 95 |
| | 2nd and 3rd version (M8) | 30 |

Special tool

Remover and installer for link on coupled semi-trailing arm



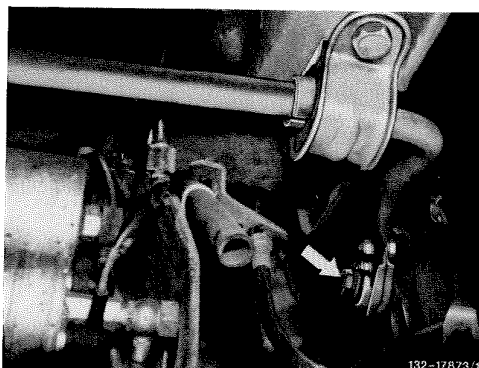
116 589 15 43 00

Note

The link can also be removed and installed in vehicle.

Removal

- 1 Remove wheel.
- 2 Loosen brake hose on respective side on bracket of frame side member and remove. Close brake line or hose against penetration of dirt.
- 3 Loosen necked-down bolt for attaching torsion bar to wheel carrier and remove (32-325).

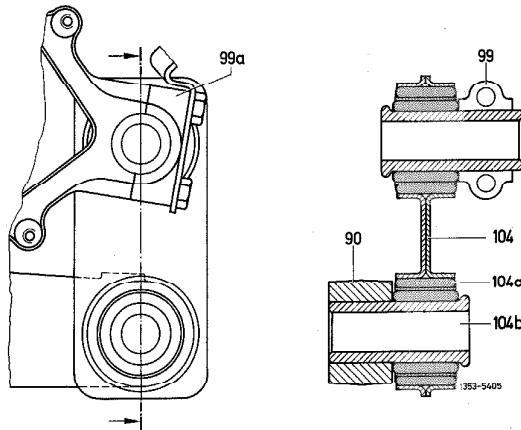


35-330 R and R link between coupled semi-trailing arm and caliper carrier

4 Remove outer synchromesh joint of rear axle shaft on rear axle shaft flange (35-620).

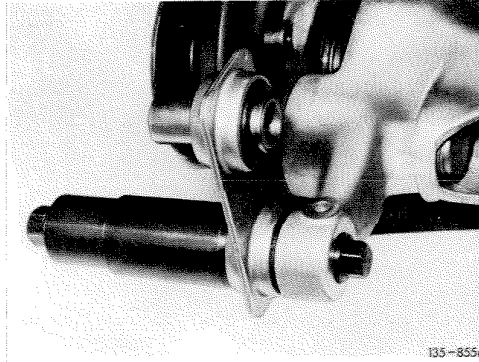
5 Loosen caliper carrier (99) from bolt (104 b) of link.

90 Coupled semi-trailing arm
99 or 99a Caliper carrier
104 Link
104a Rubber bearing
104b Bolt



6 Swivel complete wheel carrier forward until the remover and installer can be positioned against coupled semi-trailing arm. Attach wheel carrier with wire.

7 Pull link bolt out of coupled semi-trailing arm with remover and installer.

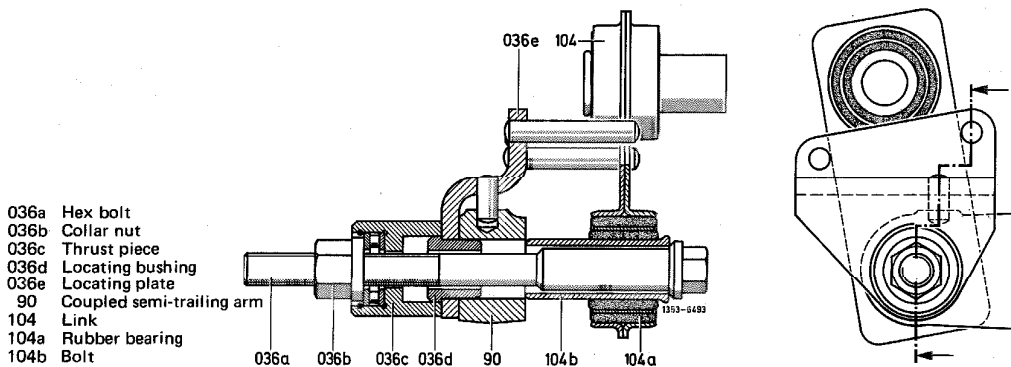
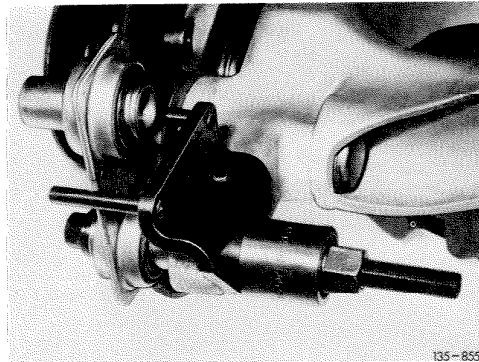


Installation

8 Insert bolt (104 b) of new link (104) into coupled semi-trailing arm (90) by means of remover and installer (36 a - 036 e).

9 Remove remover and installer

10 Install rear axle shaft (35-620).



036a Hex bolt
036b Collar nut
036c Thrust piece
036d Locating bushing
036e Locating plate
90 Coupled semi-trailing arm
104 Link
104a Rubber bearing
104b Bolt

35-330 R and R link between coupled semi-trailing arm and caliper carrier

11 Swivel complete wheel carrier toward the rear and attach caliper to link bolt. Tightening torque of hex bolts 25 Nm.

12 Attach torsion bar to wheel carrier (32-325).

13 Connect brake hose to brake line.

14 Bleed brake system (42-010).