

## 35-040 R and R rear axle subframe front bushings

### B. Model 126

Rear axle installed

#### Slide fluid for pressing-in rubber bearings

Slide fluid (Naphtolen H or Fahr slide paste)	000 989 08 60
---	---------------

#### Tightening torques

Nm


Hex. bolt for attaching front rubber bearing to frame floor	120
---	-----

120

Hex. bolts for attaching supporting plate to frame floor	40
--	----

40

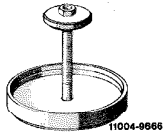
#### Special tools

Puller for pulling rubber bearing out of rear axle carrier		126 589 00 33 00
--	---	------------------



126 589 00 33 00

Installer for installing rubber bearing into rear axle carrier		126 589 01 33 00
--	--	------------------



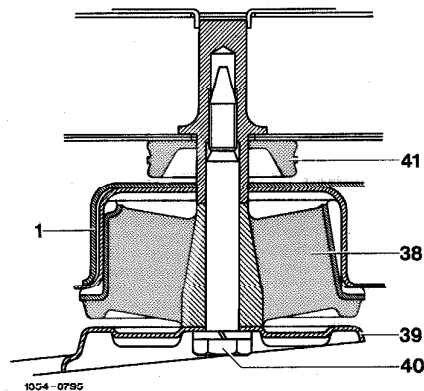
126 589 01 33 00

#### Note

When removing and installing front rubber bearing, vehicle should rest on its wheels.

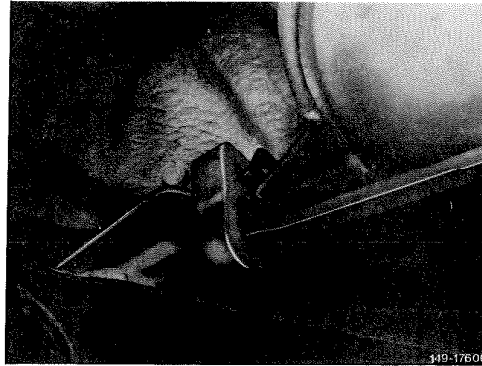
#### Removal

- 1 Support rear axle carrier at respective side.
- 2 Unscrew supporting plate (39) on frame floor.



## 35-040 R and R rear axle subframe front bushings

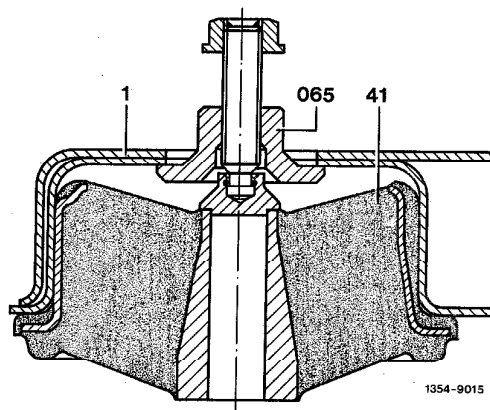
3 Disconnect rubber ring of exhaust mounting bracket on rear axle carrier and remove (on model 126.02 required up to September 1980 and 126.03/04 only).



4 Lower rear axle carrier until remover can be introduced and positioned through bore on rear axle carrier.

**Attention!**

When lowering, make sure that the two holders of the exhaust suspension are sliding past each other. For this purpose, push muffler slightly aside.



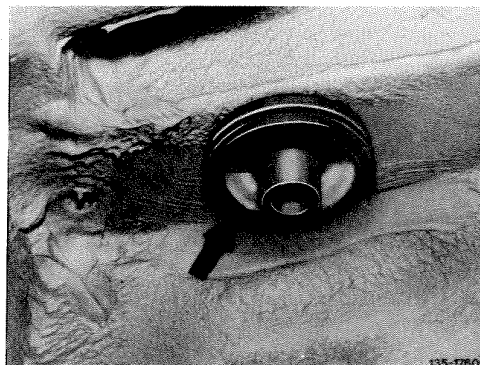
1 Rear axle carrier  
41 Rubber bearing  
065 Puller

5 Strongly preload inner core of rubber bearing by means of puller. Then apply a setting blow against outer jacket of rubber bearing by means of a suitable tool, if required, until bearing is released from rear axle carrier.



6 Remove rubber bearing and puller.

**Note:** Always replace slack rubber bearings and damaged rubber stops.

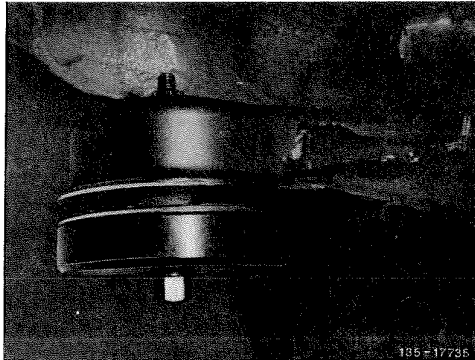


## 35-040 R and R rear axle subframe front bushings

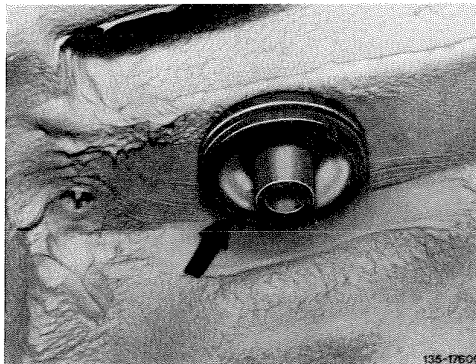
### Installation

7 Rub rubber bearings with slide fluid and pull into rear axle carrier by means of puller.

8 Remove puller.

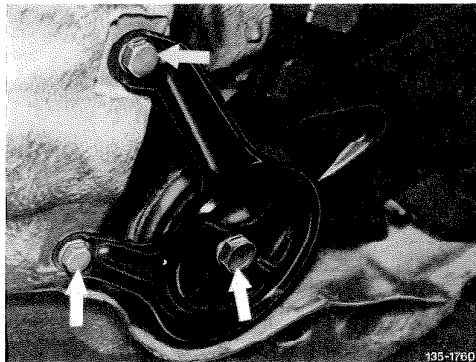


9 Mount rubber stop.

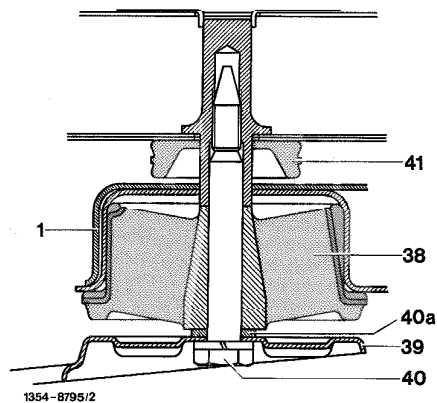


10 Lift rear axle carrier and mount supporting plate. Tighten hex. bolts on supporting plate to 40 Nm and on rubber mount to 120 Nm.

**Note:** When lifting rear axle carrier on mounting bracket of exhaust system (on model 126.02 only up to September 1980 and 126.03/04).



11 In the event of knocking and rumbling noises the distance between rubber bearing and supporting plate should be enlarged by adding a washer (40a) 2.5 mm thick. Nominal value in ready-to-drive condition 3-5 mm.



## 35-040 R and R rear axle subframe front bushings

---

12 Attach rubber ring of exhaust suspension (arrow).

