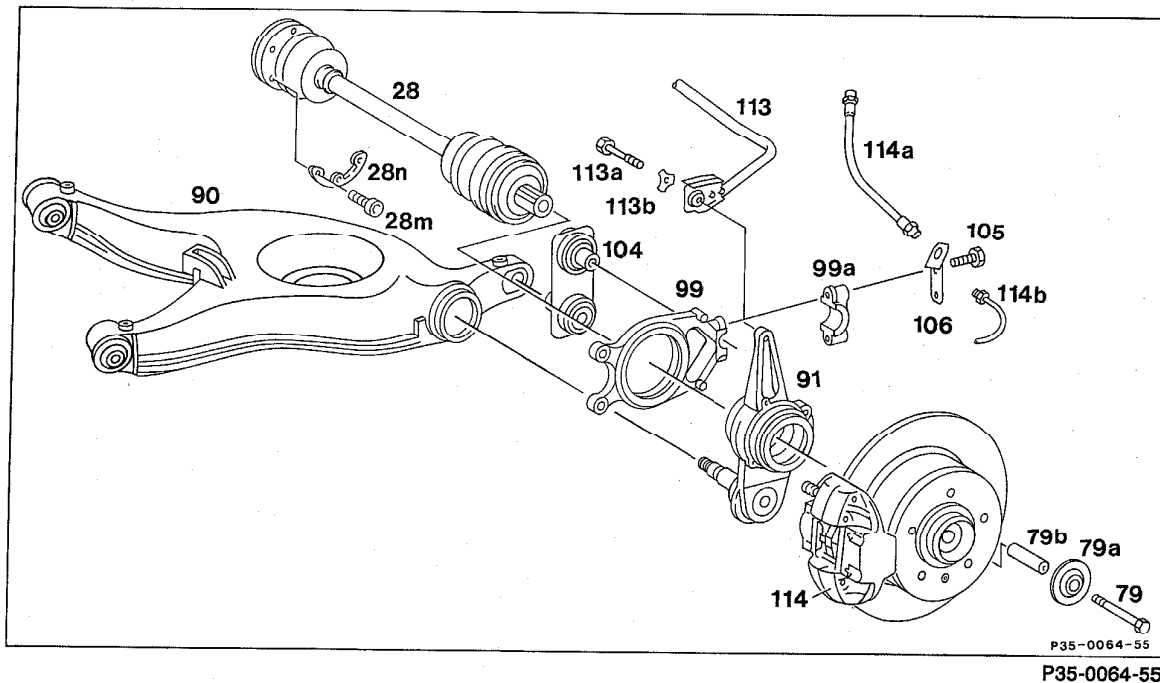


35-0330 R and R link between coupled semi-trailing arm and caliper carrier

Preliminary work:
R and R wheels 40-0110

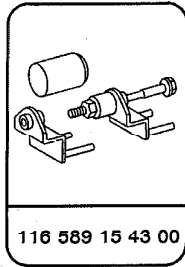
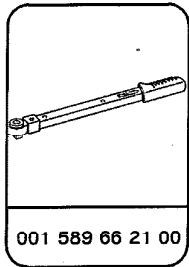
Semi-trailing arm rear suspension with anti-squat geometry



Brake hose (114a)	detach, assemble. Bleed brake system (42-0010, Step 1).
Necked down bolt on stabilizer bar (113a)	unscrew, replace and tighten up. 80 Nm. Torque wrench 001 589 66 21 00.
Rear axle shaft (28)	remove, install (35-0620).
Cap (99a) from caliper carrier (99)	detach and attach. Tightening torque of hexagon bolts (105) is 25 Nm. Torque wrench 001 589 66 21 00 (Step 4).
Wheel carrier (91)	swivel forwards and rearwards.
Link (104)	pull out, pull in with puller and installer 116 589 15 43 00 (Step 6).

35-0330 R and R link between coupled semi-trailing arm and caliper carrier

Special tools



Note

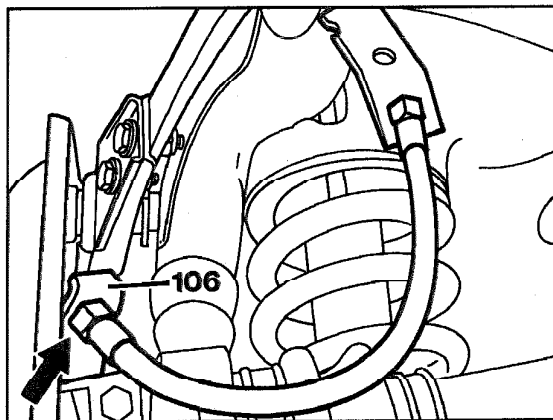
The link can also be removed and installed on the vehicle.

Removal and installation

- 1 Detach, assemble brake hose on the respective side of bracket on caliper carrier (106) (arrow).
Seal brake line and hose against entry of dirt.

Note

Ensure brake hose is correctly routed. Bleed brake system (42-0010).

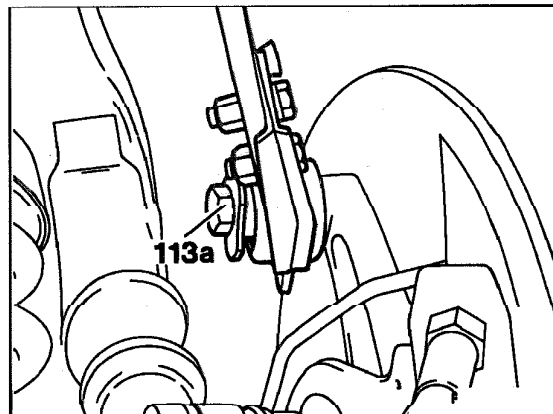


P35-2166-13

- 2 Detach and tighten necked down bolt (113a) for securing stabilizer bar to the wheel carrier (32-0325).

Note

Replace necked down bolt, 80 Nm. Torque wrench 001 589 66 21 00.



P35-2165-13

35-0330 R and R link between coupled semi-trailing arm and caliper carrier

- 3 Remove, install rear axle shaft (35-0620).
- 4 Detach cap (99a) of caliper carrier (99) from the link pivot shaft.

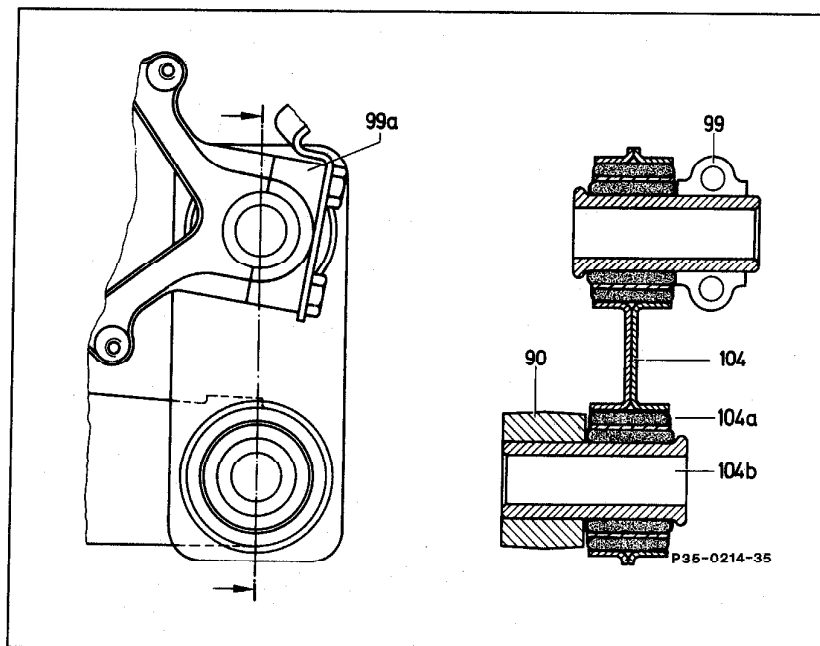
Note

Swivel complete wheel carrier rearwards and attach caliper carrier to link pivot shaft.

Tightening torque of hexagon bolts is 25 Nm.

Torque wrench 001 589 66 21 00.

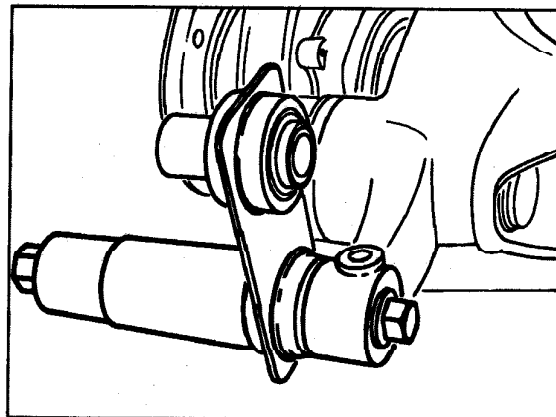
- 90 Coupled semi-trailing arm
- 99 Caliper carrier
- 99a Cap
- 104 Link
- 104a Rubber bearing
- 104b Pivot shaft



P35-0214-35

- 5 Swivel complete wheel carrier forwards until puller and installer can be positioned against coupled semi-trailing arm. Attach wheel carrier with wire.

- 6 Pull link pivot shaft out of coupled semi-trailing arm with puller and installer 116 589 15 43 00.

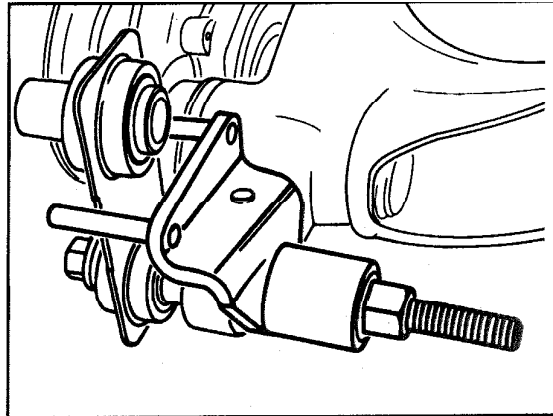


P35-2454-13

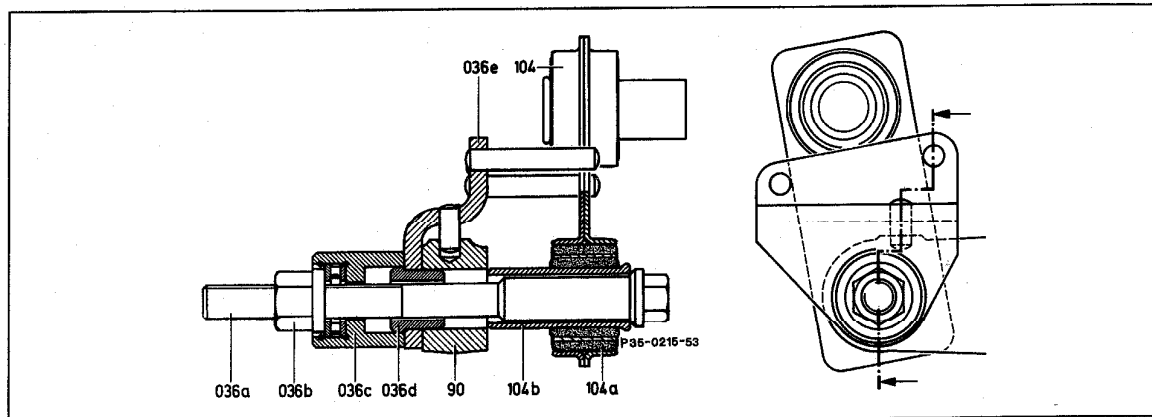
35-0330 R and R link between coupled semi-trailing arm and caliper carrier

Note

Insert pivot shaft (104b) of new link (104) in the coupled semi-trailing arm (90) by means of puller and installer 116 589 15 43 00 (36a - 036e section views).



P35-2455-13



P35-0215-53

Section view

036a	Hexagon bolt	90	Coupled semi-trailing arm
036b	Collar nut	104	Link
036c	Thrust pad	104a	Rubber bearing
036d	Locating bushing	104b	Pivot shaft
036e	Locating plate		

7 Installation takes place in the reverse sequence.