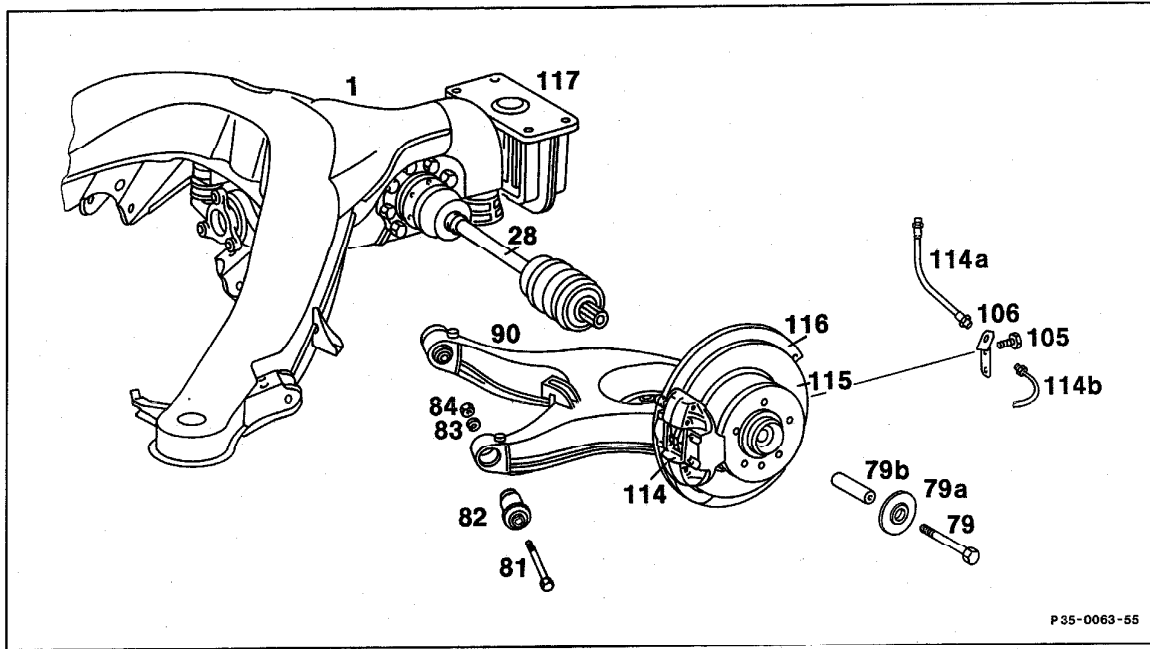


35-0310 R and R coupled semi-trailing arm/bushing

Preliminary work:
 R and R wheels 40-0110
 R and R complete rear axle 35-0010

Semi-trailing arm rear suspension with anti-squat geometry



P35-0063-55

P35-0063-55

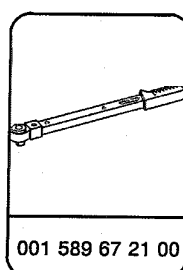
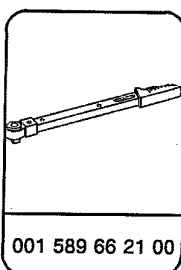
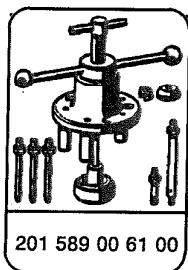
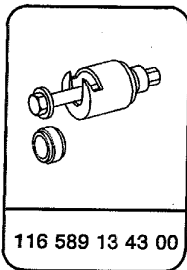
- | | |
|--------------------------------------|--|
| Rear axle shaft (28) | unbolt, bolt onto rear axle shaft flange. Pull off, pull on possibly with assembly tool 201 589 00 61 00. Replace tensioning washer (79a). Tightening torque 30 Nm. Torque wrench 001 589 66 21 00 (Step 2). |
| Coupled semi-trailing arm (90) | remove, assemble. 140 Nm. Torque wrench 001 589 67 21 00. Position rear axle shafts horizontally before tightening up (Step 5). |
| Rubber bushing (82) | pull off, pull on with puller and installer 116 589 13 43 00 and coat with naphthalene. |

Lubricant for pressing on rubber bushings

Lubricant (naphthalene or Fahr slide paste)	000 989 08 60
---	---------------

35-0310 R and R coupled semi-trailing arm/bushing

Special tools



Removal and installation

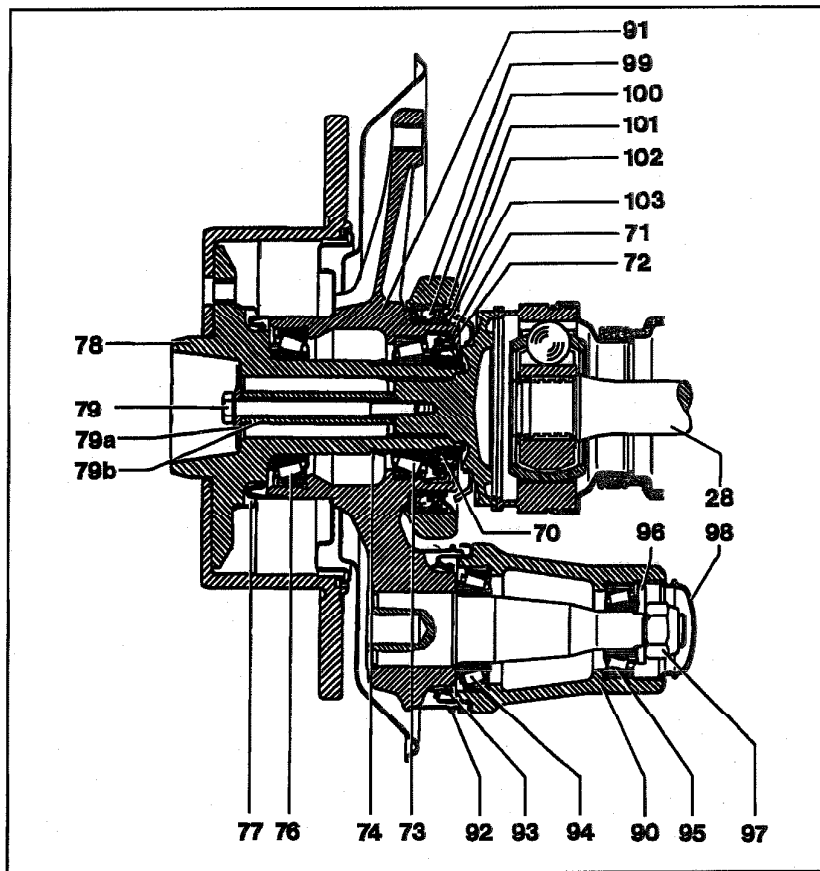
- 1 Lower coupled semi-trailing arm down to extension stop.
- 2 Detach hexagon bolt (79) with spacing sleeve (79b) and tensioning washer (79a) for attaching the rear axle shaft and remove.

Note

Assemble hexagon bolt (79) with tensioning washer (79a) and spacing sleeve (79b) and tighten to 30 Nm. Torque wrench 001 589 66 21 00.

CAUTION!

Replace tensioning washer (79a) after one time use. Oil tensioning washer (79a) in area of the bolt head.

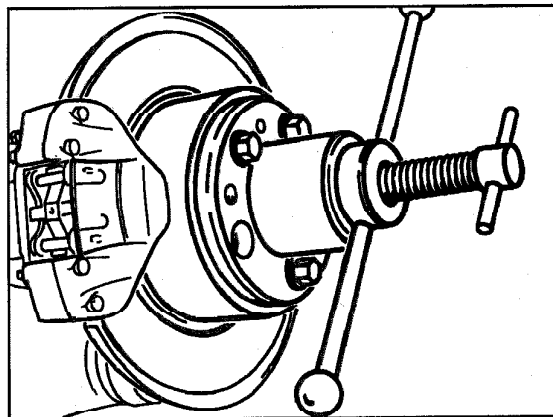


P35-0062-37

3 If required, press off or pull on rear axle shaft at rear axle shaft flange with assembly tool 201 589 00 61 00.

⚠ CAUTION!

When removing assembly tool, be sure to hold rear axle shaft in place. Do not drop rear axle shaft, so that housing for inner joint will not be damaged or start loading.



P35-2451-13

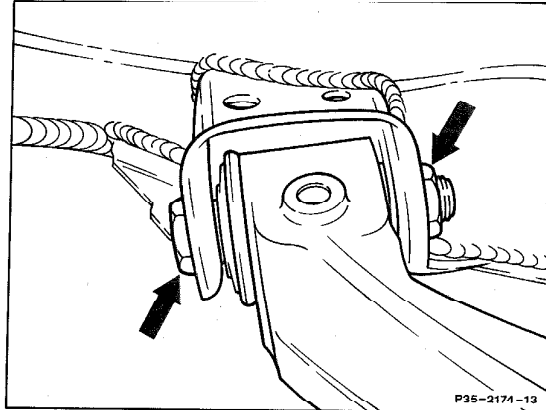
35-0310 R and R coupled semi-trailing arm/bushing

4 Detach, tighten up hexagon nuts for attaching the coupled semi-trailing arm (arrow).

5 Remove, assemble coupled semi-trailing arm.

⚠ CAUTION!

During removal and transportation of semi-trailing arm, do not damage cover plate of brake disc.



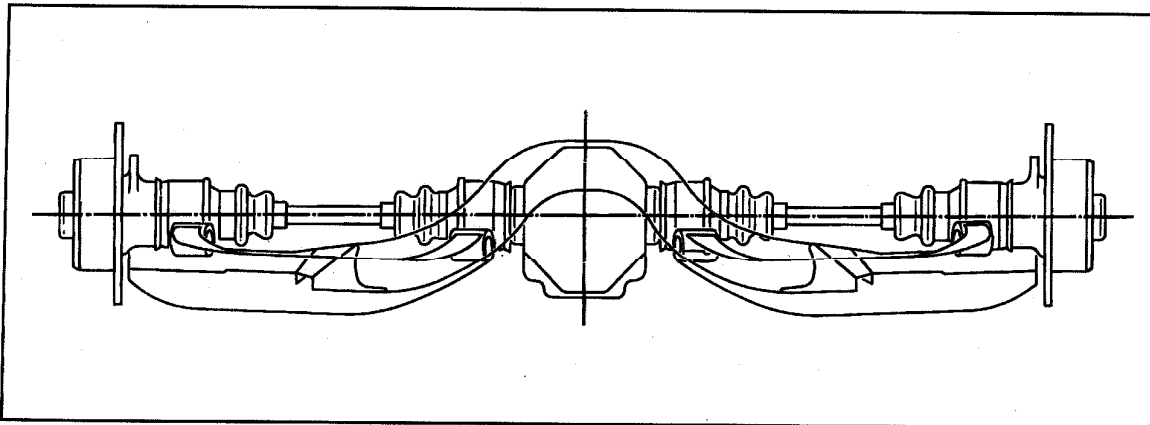
P35-2174-13
P35-2174-13

Note

Tightening torque of hexagon nuts 140 Nm.

Torque wrench 001 589 67 21 00.

Raise or lower coupled semi-trailing arm until the rear axle shafts are horizontal and then tighten up.

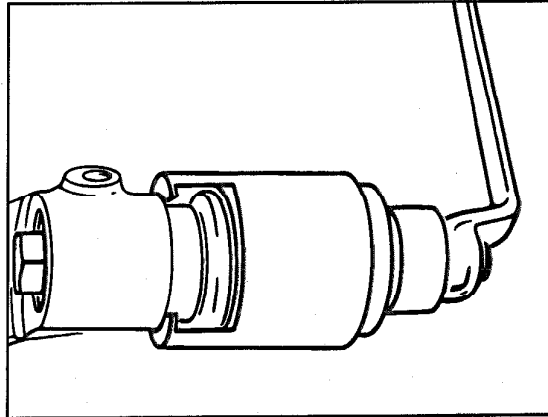


P35-0219-53

35-0310 R and R coupled semi-trailing arm/bushing

Replacing rubber bushing

6 Pull out rubber bushing out of the coupled semi-trailing arm with remover and installer 116 589 13 43 00.

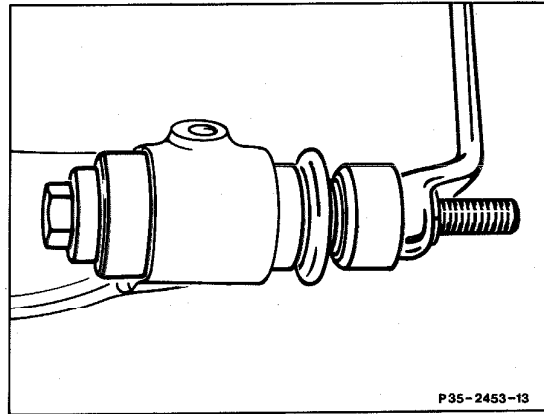


P35-2452-13

Note

Coat rubber bushing with lubricant e.g. naphthalene.

Pull in rubber bushing from outside inwards up to stop on eye of coupled semi-trailing arm with puller and installer 116 589 13 43 00.



P35-2453-13

P35-2453-13

7 Installation takes place in the reverse sequence.