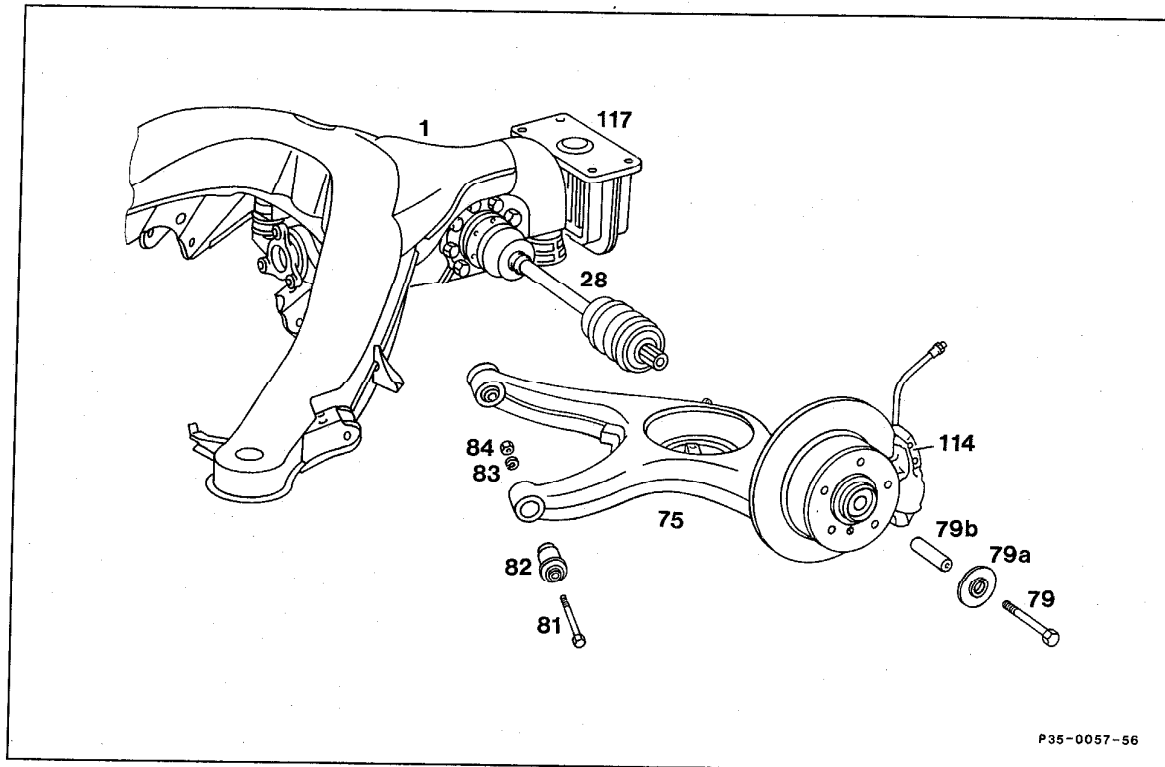


35-0110 R and R semi-trailing arm/bushing

Preliminary work:

R and R wheels 40-0110

R and R complete rear axle assembly 35-0010



P35-0057-56

P35-0057-56

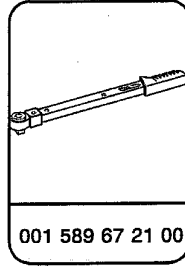
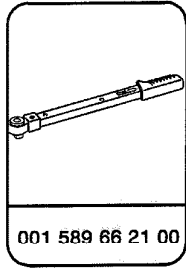
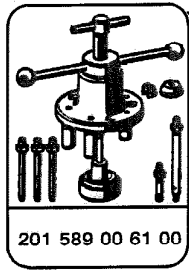
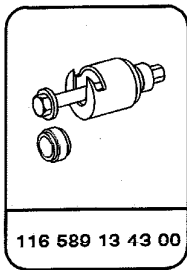
- | | |
|------------------------------|---|
| Rear axle shaft (28) | unscrew, screw in at rear axle shaft flange.
Pull out, pull in with assembly tool
201 589 00 61 00.
Replace tensioning washer (79a).
Tightening torque 30 Nm (Step 2).
Torque wrench 001 589 66 21 00. |
| Semi-trailing arm (75) | detach, assemble. 140 Nm (Step 2).
Torque wrench 001 589 67 21 00. |
| Rubber bushing (82) | remove, install with puller and installer
116 589 13 43 00 and coat with naphthalene. |

Lubricant for pressing in rubber bushings

Lubricant (naphthalene or Fahr slide paste)

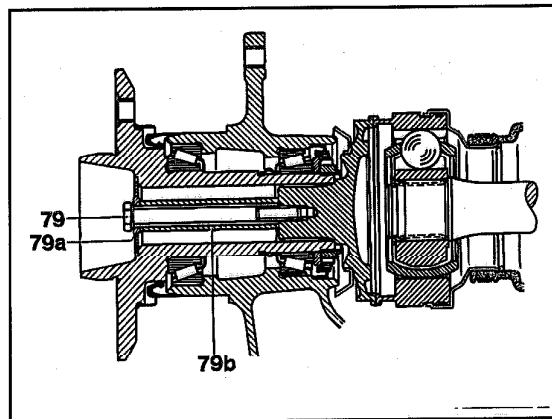
000 989 08 60

Special tools



Removal and installation

- 1 Lower semi-trailing arm down to deflection stop.
- 2 Loosen hexagon bolt (79) with spacing sleeve (79b) and tensioning washer (79a) for attaching rear axle shaft to rear axle and remove.



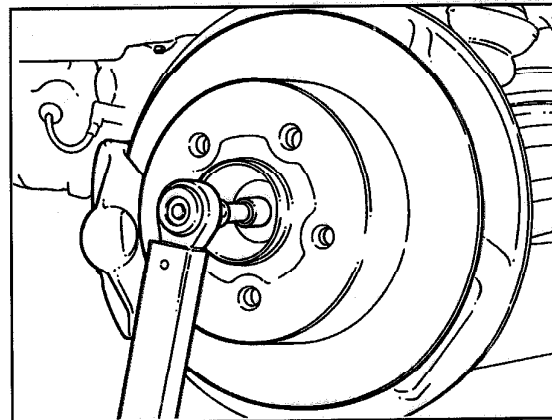
P35-0058-13

Note

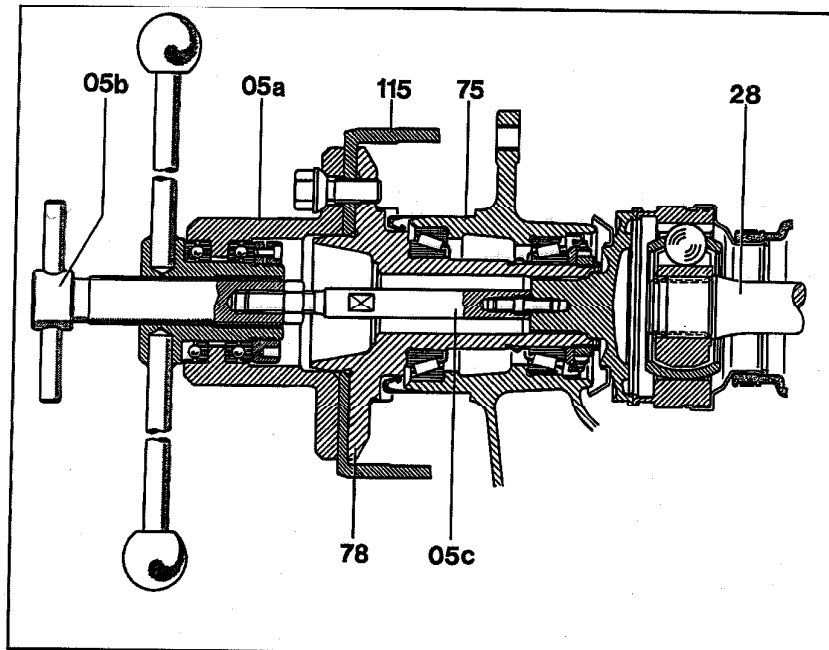
Assemble hexagon bolt (79) with tensioning washer and spacing sleeve and tighten to 30 Nm. Torque wrench 001 589 66 21 00.

Note

Replace tensioning washer after one-time use. Oil tensioning washer (79a) in area of the bolt head.



35-0110 R and R semi-trailing arm/bushing



P35-0059-35

- 3 If required, press rear axle shaft out of, or pull into rear axle shaft flange with assembly tool 201 589 00 61 00.

⚠ CAUTION!

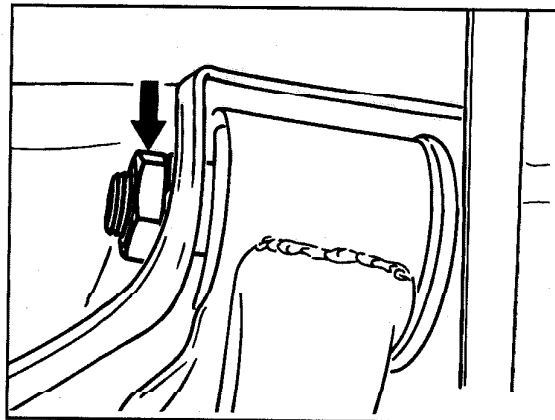
When removing assembly tool, be sure to hold rear axle shaft in place. Do not drop rear axle shaft, so that housing for inner joint will not be damaged or start leaking.

- 4 Loosen or tighten hexagon nuts for fixing the semi-trailing arm (arrow).

- 5 Remove, insert semi-trailing arm.

⚠ CAUTION!

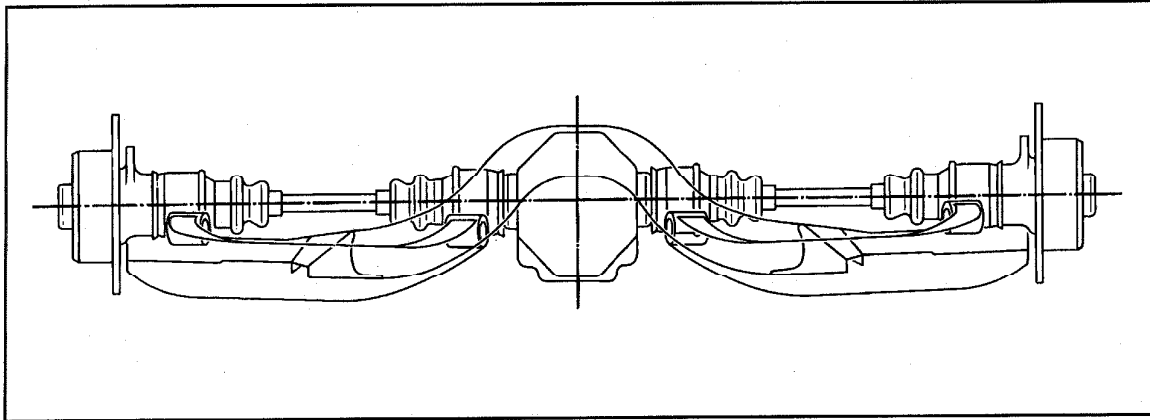
During removal and transportation of semi-trailing arm, do not damage cover plate of brake disc.



P35-2437-13

Note

Tightening torque of hexagon nuts 140 Nm.
Torque wrench 001 589 67 21 00.
Raise or lower semi-trailing arm until the rear axle shafts are horizontal and then tighten up.

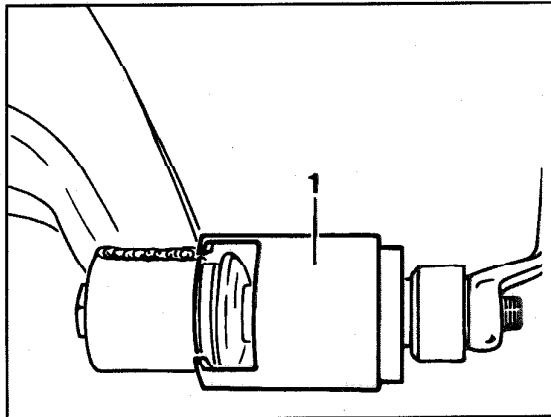


P35-0219-53

Replacing rubber bushings

6 Remove rubber bushings from semi-trailing arm.

Puller and installer 116 589 13 43 00.

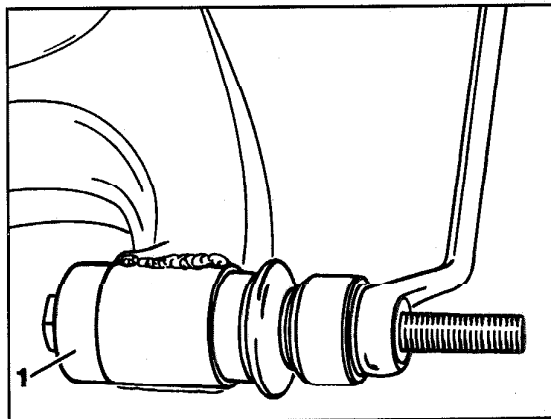


P35-2457-13

Note

Coat lubricant on rubber bushing e.g. naphthalene.
Pull in rubber bushing from outside in an inward direction up to stop on eye of semi-trailing arm.
Puller and installer 116 589 13 43 00.

7 Installation takes place in the reverse sequence.



P35-2458-13