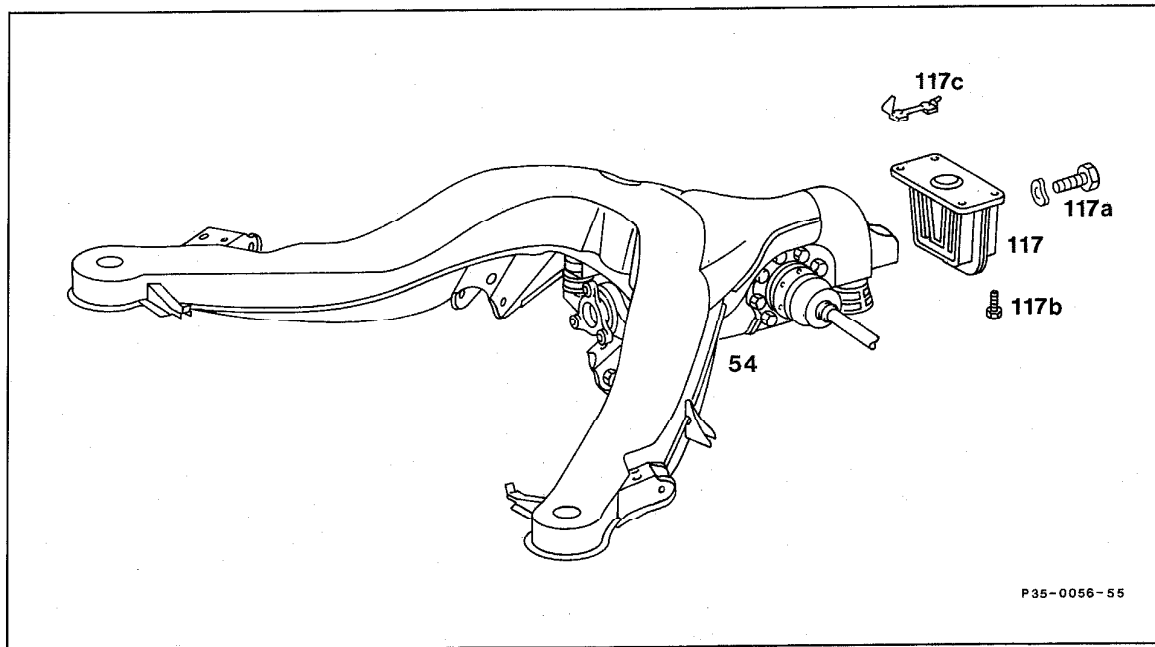


## 35-0050 R and R rear mount of rear axle sub-frame

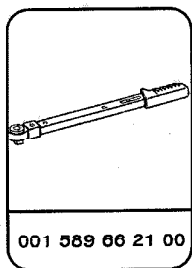


P35-0056-55

P35-0056-55

- |  |   |
|--|---|
| Rear axle center piece (54) .....              | lower, raise.   |
| Rubber mount on frame cross member (117) ...   | Unscrew, screw in hexagon bolts (117b) tightening torque 30 Nm. Replace bracket with self-locking nuts (117c).<br>Torque wrench 001 589 66 21 00. |
| Rubber mount on rear axle subframe (117) ..... | Unscrew, screw in hexagon bolts (117a), tightening torque 120 Nm. Replace damaged rubber mounts.<br>Torque wrench 001 589 66 21 00.               |

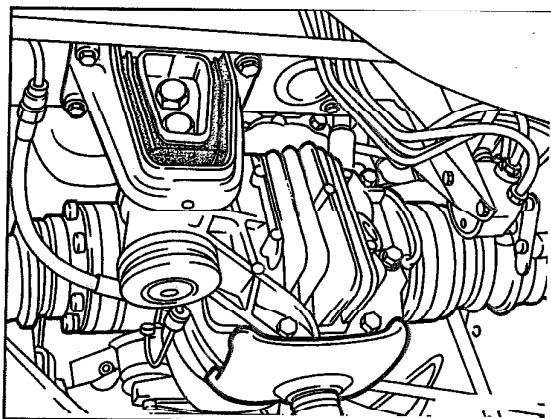
### Special tool



## 35-0050 R and R rear mount of rear axle sub-frame

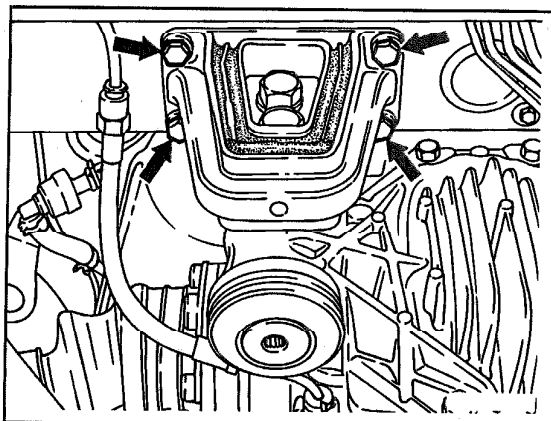
### Installation and removal

1 Support rear axle housing on vehicle jack top and raise slightly.



P35-2183-13

2 Unscrew hexagon bolts on frame floor (arrows) and lower or raise rear axle.



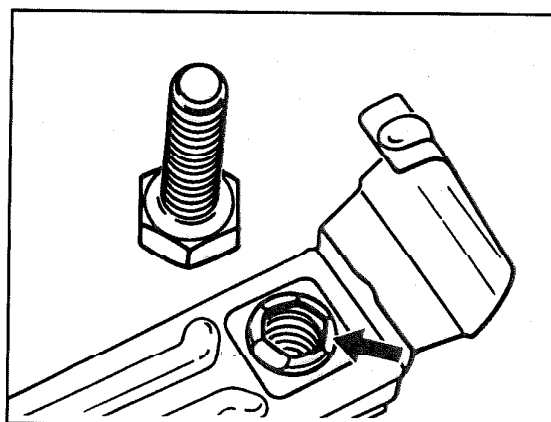
P35-2184-13

### Note

Always replace hexagon bolts and bracket with self-locking nuts (arrows) after each use.

Tightening torque 30 Nm.

Torque wrench 001 589 66 21 00.



P35-2466-13

## 35-0050 R and R rear mount of rear axle sub-frame

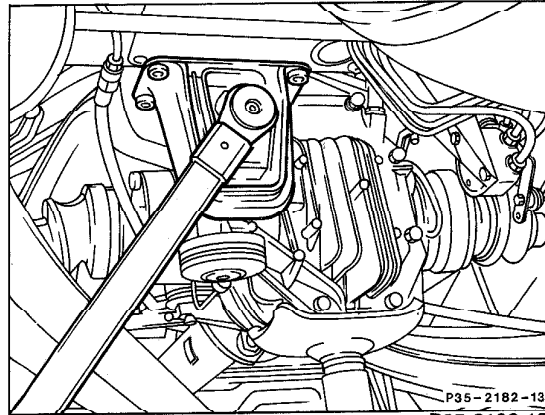
---

3 Unscrew, screw in rubber mount on rear axle subframe.

**Note**

Tightening torque 120 Nm.

Torque wrench 001 589 66 21 00.



4 Replace damaged or slack rubber mounts.

5 Installation takes place in the reverse sequence.