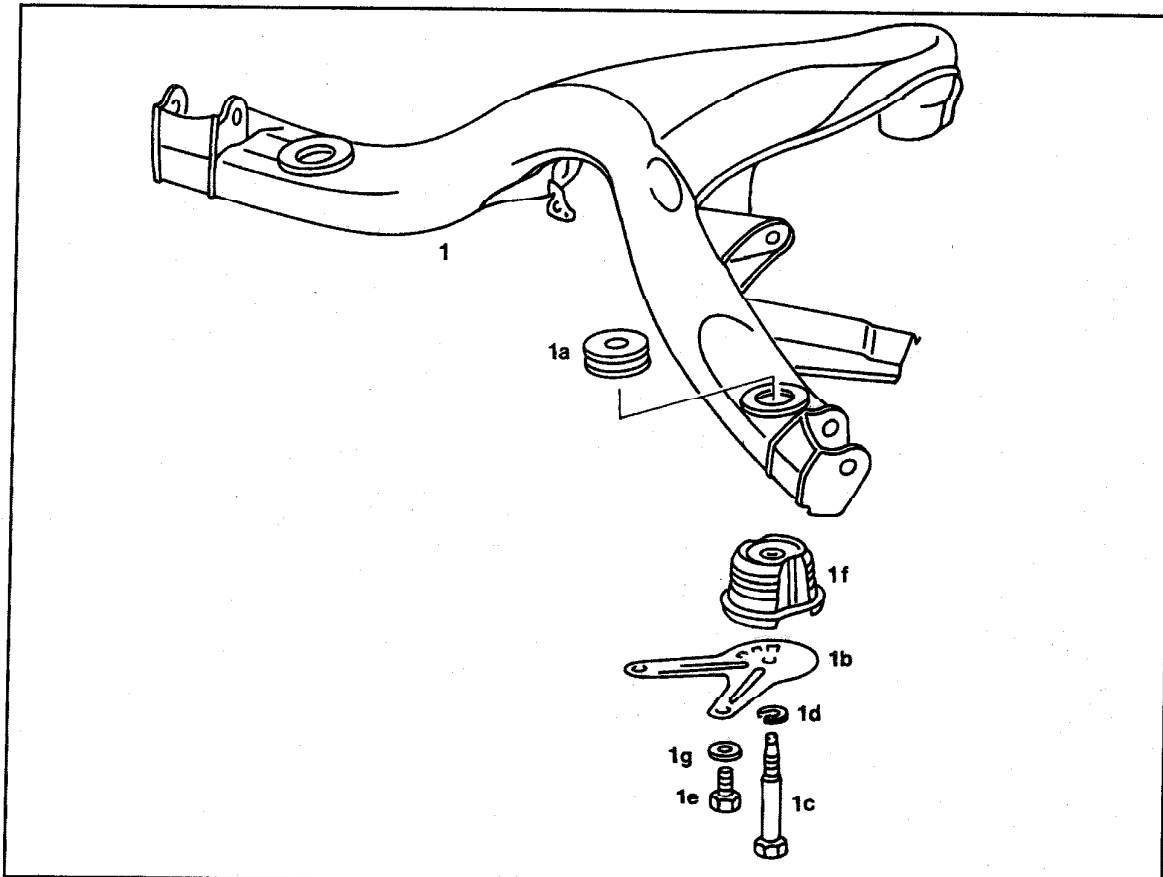


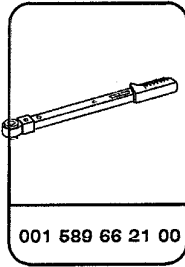
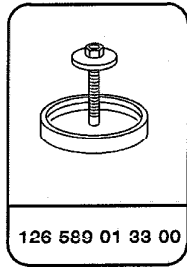
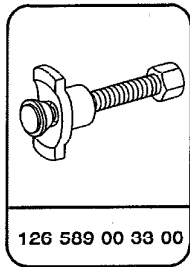
35-0040 R and R front mounts of rear axle sub-frame



P35-0054-57

Rear axle sub-frame (1)	support.
Supporting plate (1b)	unscrew, screw in. Hexagon bolts (1e) 40 Nm and (1c) 120 Nm.
	Torque wrench 001 589 66 21 00 (Step 2).
Rubber ring - exhaust mounting	detach, attach (Step 3).
Rubber mounts (1f) or (1h)	remove, pull on.
	Puller 126 589 00 33 00
	Installer 126 589 01 33 00.
	Coat with lubricant (naphthalene).
	Note left and right marking applied as well as direction of travel of kidney-shaped mount (1h) (Step 5). Replace damaged or slack Rubber mounts.
Rubber stop (1a)	check for damage and replace, if required.

Special tools

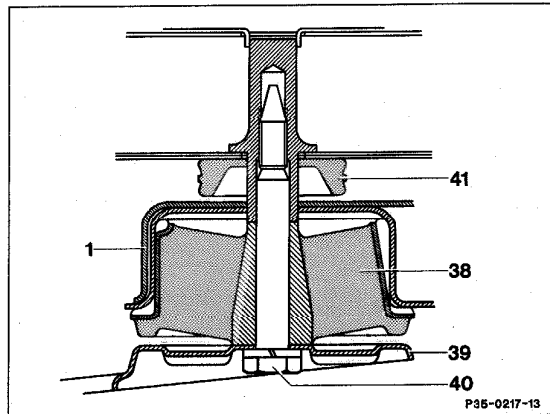


Note

When removing and installing front rubber mount, vehicle should rest on its wheels.

Removal and installation

- 1 Support rear axle sub-frame at respective side.
- 2 Detach, assemble supporting plate (39) on frame floor.

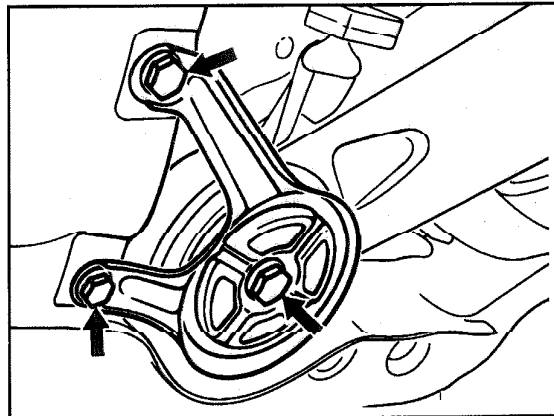


P35-0217-13

Note

Tightening torque of hexagon bolts (arrows) on supporting plate 40 Nm and on rubber mount 120 Nm.

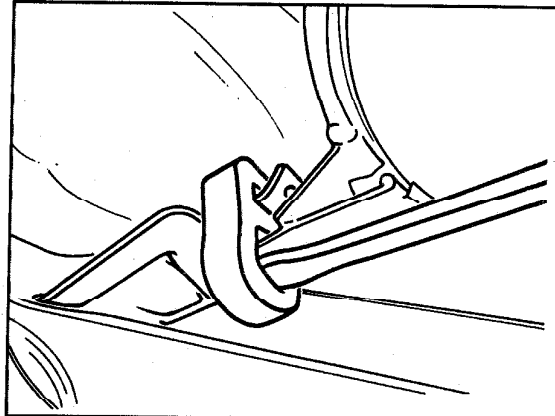
Torque wrench 001 589 66 21 00.



P35-2460-13

35-0040 R and R front mounts of rear axle sub-frame

3 Disconnect, assemble rubber ring of exhaust mounting on rear axle sub-frame (on model 126.02 on the left and on model 126.03/04/1 on the left and right).

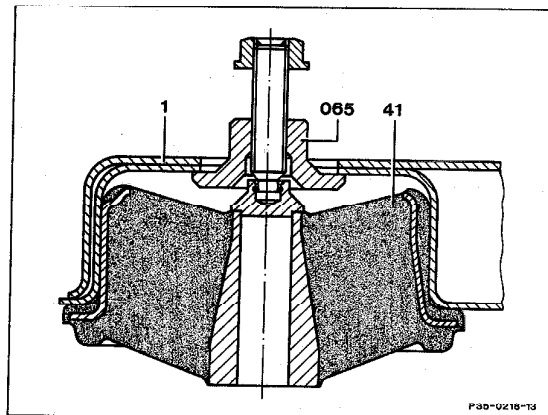


P49-2098-13

4 Lower or raise rear axle sub-frame until puller (065) 126 589 00 33 00 can be introduced and positioned through bore on rear axle sub-frame.

CAUTION!

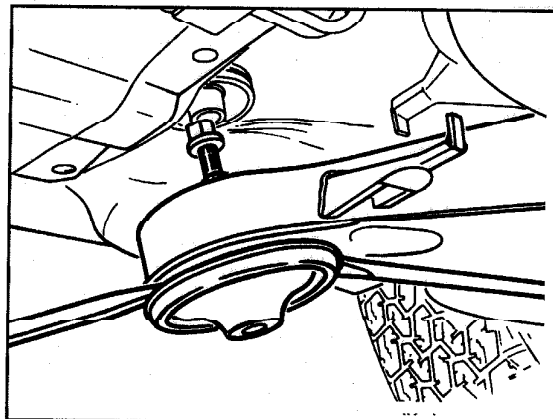
When lowering and raising, make sure that the two holders of the exhaust mounting are sliding past each other, while pushing muffler slightly aside.



P35-0218-13

1 Rear axle sub-frame
41 Rubber mount
065 Puller

5 Strongly preload inner core of rubber mount using puller 126 589 00 33 00. Then apply a setting blow against outer jacket of rubber mount using a suitable tool, if required, until mount is released from rear axle sub-frame.

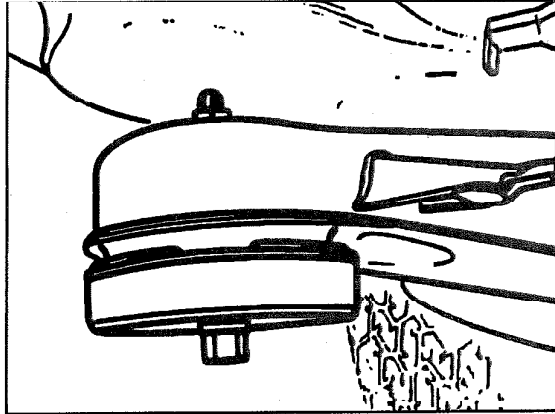


P35-2465-13

35-0040 R and R front mounts of rear axle sub-frame

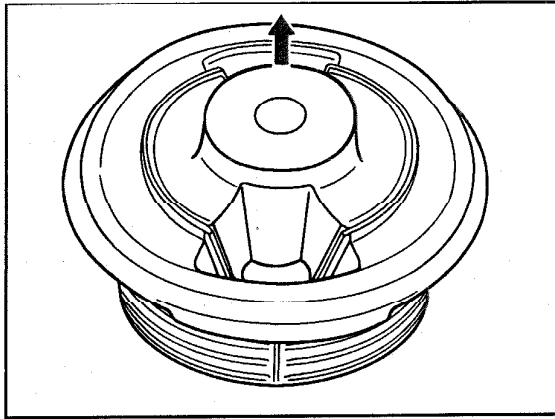
Note

Coat rubber mount with lubricant (naphthalene), and pull into rear axle sub-frame using installer 126 589 01 33 00.



P35-2464-13

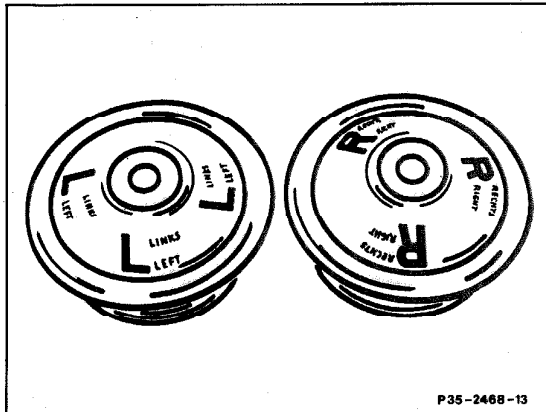
Since December 1989 rubber mounts with two recesses (kidneys) are installed. When installed the recesses (kidneys) must point in the direction of travel (arrow).



P35-2002-13

⚠ CAUTION!

Note marking on rubber mount, L = left hand side, R = right hand side.

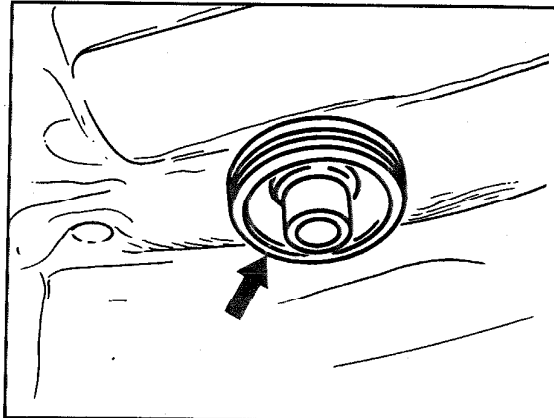


P35-2468-13
P35-2468-13

35-0040 R and R front mounts of rear axle sub-frame

6 Slack rubber mounts and damaged rubber stops (arrow) should be replaced.

7 Installation takes place in the reverse sequence.



P35-2459-13