

33-600 R and R braking support link ball joint carrier

Tightening torques	Nm
Hex. screws for fastening cross yoke center piece to bearing carrier	45
Hex. screws for fastening bearing carrier to frame side member	80
Hex. screw for fastening clamp to supporting tube	20

Note

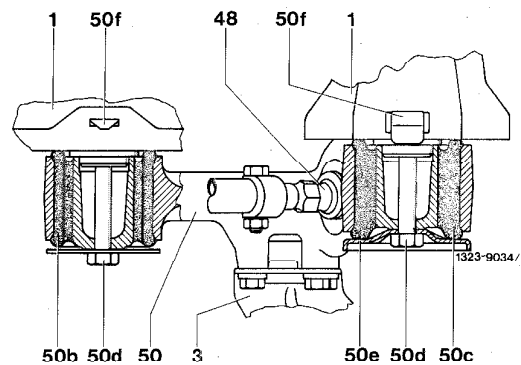
Front spring need not be removed for removing bearing carrier, only the lower control arm must be pushed forward.

Be sure to renew self-locking screws and nuts throughout!

The front rubber bearings (50d) in bearing carrier (50) have been replaced starting September 1981 by installation of 2nd version.

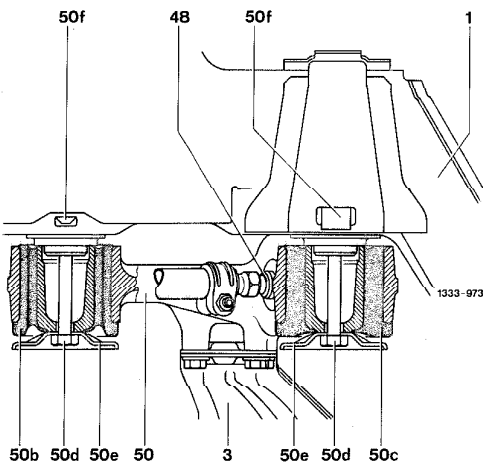
Bearing 1st version (up to February 1981)

Front rubber bearing without flange
Flat disc on front bearing



Bearing 2nd version (starting March 1981)

Front rubber bearing with flange
Disc on front bearing



33-600 R and R braking support link ball joint carrier

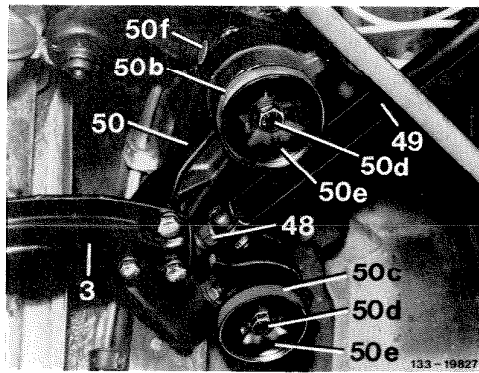
Removal

1 Place vehicle on pit or lifting platform.

2 Remove cross yoke.

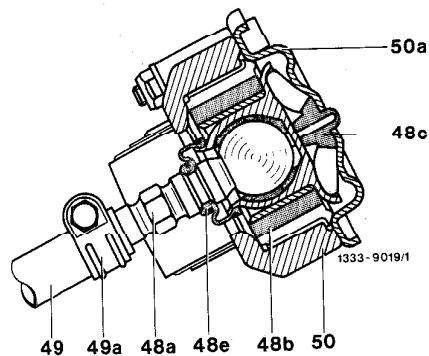
3 Remove bearing carrier (50) for brake support left and right from frame floor.

- 3 Cross yoke center piece
- 48 Supporting joint
- 50 Bearing carrier
- 50b Rubber bearing front
- 50c Rubber bearing rear
- 50d Hex. screws
- 50e Stop disc
- 50f Insertion nut

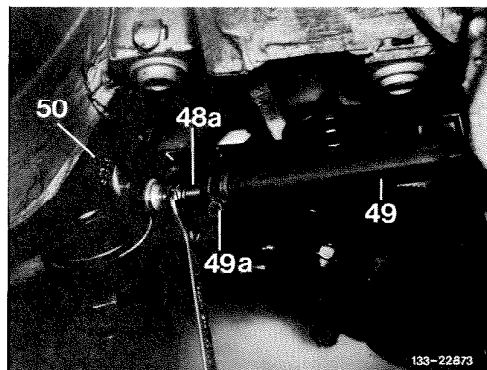


4 Loosen clamp from ball pin and unscrew supporting tube from supporting joint. Measure visible thread length of ball pin first (for axle adjustment).

- 48a Ball pin (caster adjustment)
- 48b Thrust rubber bearing front
- 48c Stop nut
- 48e Sleeve
- 49 Supporting tube
- 49a Clamp
- 50 Bearing carrier
- 50a Bearing bowl



Note: Push control arm forward for easier removal of bearing carrier.

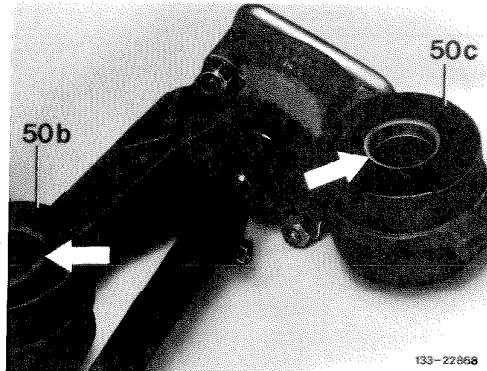


33-600 R and R braking support link ball joint carrier

Installation

5 Check bearing carrier for cracks. Check supporting joints for brake support in bearing carrier.

Check whether rubber of front and rear rubber bearing (050b, 050c) is firmly bonded to metal core (arrows).

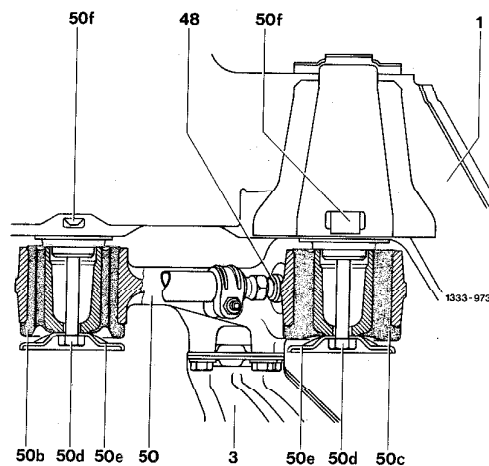


6 Mount bearing carrier, using new insertion nuts (50f). Tighten hex. head screws to 80 Nm.

Note: Push control arm forward when installing bearing carrier.

The stop disc (50e) for front rubber bearing has been standardized with installation of rubber bearing with flange (2nd version starting March 1981). In the event of repairs, the flat stop disc can still be used for rubber bearing of 1st version.

7 Mount cross yoke center piece (3) with new micro-encapsulated screws to side member. Tighten hex. screws to 45 Nm.



8 Check adjustment of front wheels (40-320).

