

P32-0074-35

- |  |                                     |
|--|-------------------------------------|
| Rear shock absorber or spring strut (75) ..... | remove, install (32-110 or 32-610). |
| Compressing plates 140 589 07 63 00 .....      | install (items 3 through 7).        |
| Spring compressing tool 140 589 00 31 00 ..... | install (items 4 through 5).        |

**⚠ WARNING!**

Ensure that spring compressing tool is arrested in top compressing plate.

- |                        |   |
|------------------------|---|
| Rear spring (73) ..... | compress and remove together with rubber spacer (74). When installing ensure that rear spring is properly seated in semi-trailing arm (72). |
|------------------------|---|

**⚠ CAUTION!**

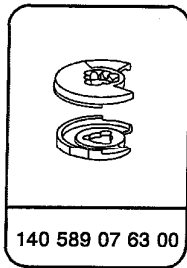
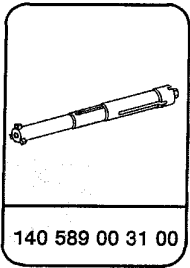
Do not use impact wrench.  
check at rear axle (40-300).  
adjust (82-1130).

- |                     |                              |
|---------------------|------------------------------|
| Vehicle level ..... | check at rear axle (40-300). |
| Headlamps .....     | adjust (82-1130).            |

## 32-230 R and R rear springs

---

### Special tools



### Note

The rear shock absorbers serve simultaneously as the extension stop for the rear wheels. For this reason, only release shock absorbers when vehicle is standing on wheels, the control arm is supported or spring compressing tool with compressing plates is installed.

### CAUTION!

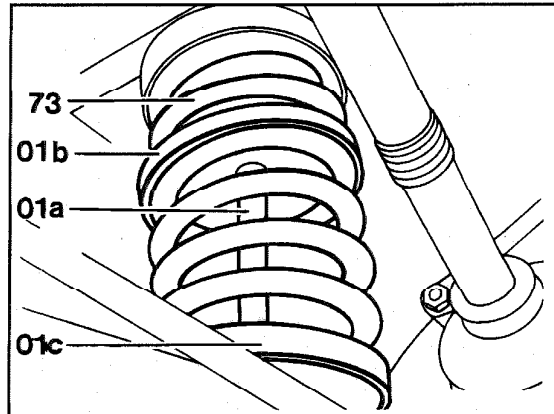
When removing the shock absorbers with the vehicle jacked up and load relieved on the suspension ensure that the piston rod does not turn while loosening the top mount.

Since the extension stop in the shock absorber is against the operating piston in this state, the connection between the operating piston and piston rod could loosen.

This would result in sudden extension of the piston rod and expulsion of the oil in the shock absorber.

### Removal

- 1 Remove rear shock absorber or spring strut (32-110 or 32-610). When removing always loosen top shock absorber mount first.
- 2 Insert compressing plates approximately in center of spring.
- 3 Guide spring compressing tool through semi-trailing arm into compressing plates from below and arrest in top compressing plate by turning 60°.
- 4 Turn upper compressing plate up to just before the stop on the rubber spacer with the aid of the spring compressing tool.
- 5 Turn bottom compressing plate all the way down.

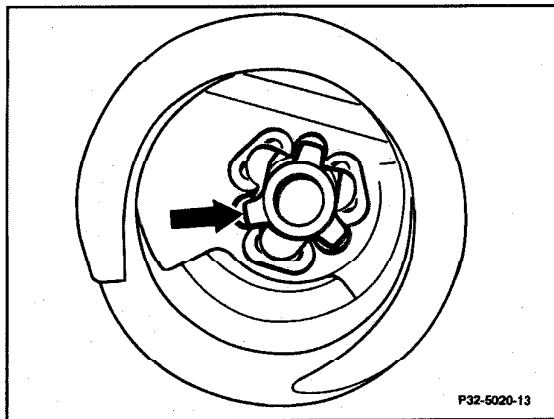


P32-5542-13

- 73 Rear spring
- 01a Spring compressing tool
- 01b Top compressing plate
- 01c Bottom compressing plate

### **WARNING!**

Ensure that spring compressing tool (arrow) is arrested in top compressing plate.



P32-5020-13

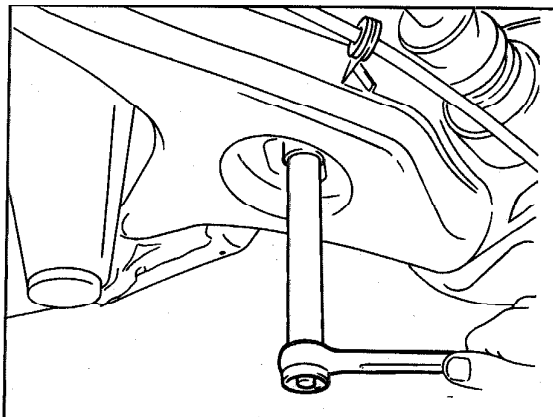
P32-5020-13

## 32-230 R and R rear springs

---

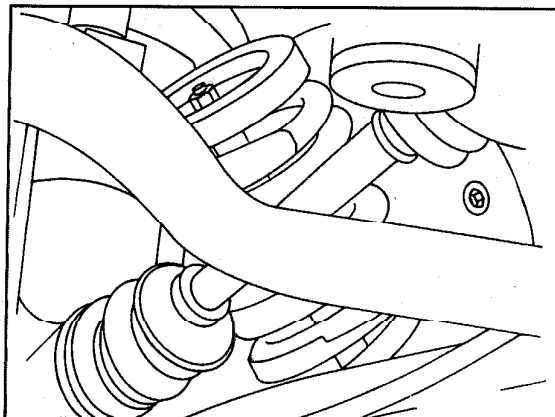
6 Compress rear spring.

**⚠ CAUTION!**  
Do not use impact wrench.



P32-5307-13

7 Remove rear spring together with rubber spacer. Remove rubber spacer.



P32-2265-13

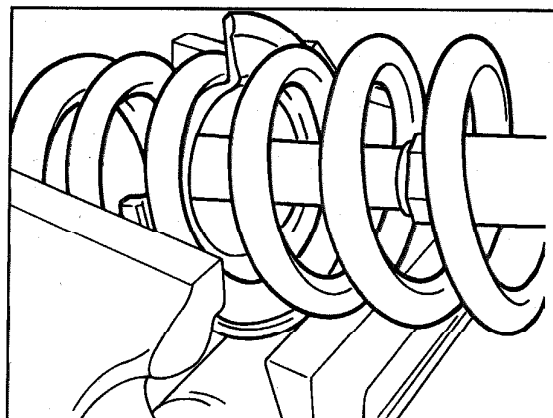
8 Clamp top compressing plate into vise on flat sections.

### Note

Before clamping into vise, mark position of compressing plate in relation to spring coil with marking chalk.

9 Release tension on rear spring in vise. Remove spring compressing tool and compressing plates.

**⚠ CAUTION!**  
Do not use impact wrench.



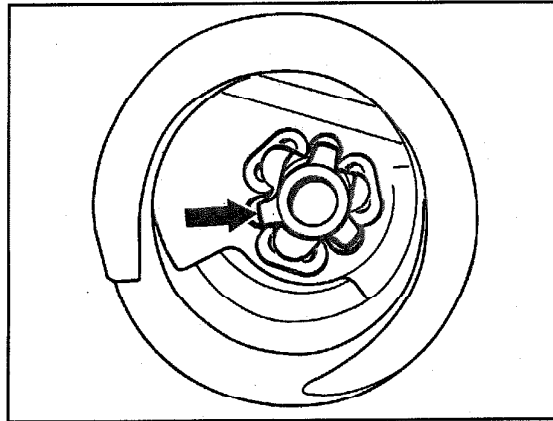
P32-5267-13

### Installation

10 Compress approx. 5 coils on rear spring.

**⚠ WARNING!**

Ensure that spring compressing tool (arrow) is arrested in top compressing plate. Do not use impact wrench.



P32-5020-13

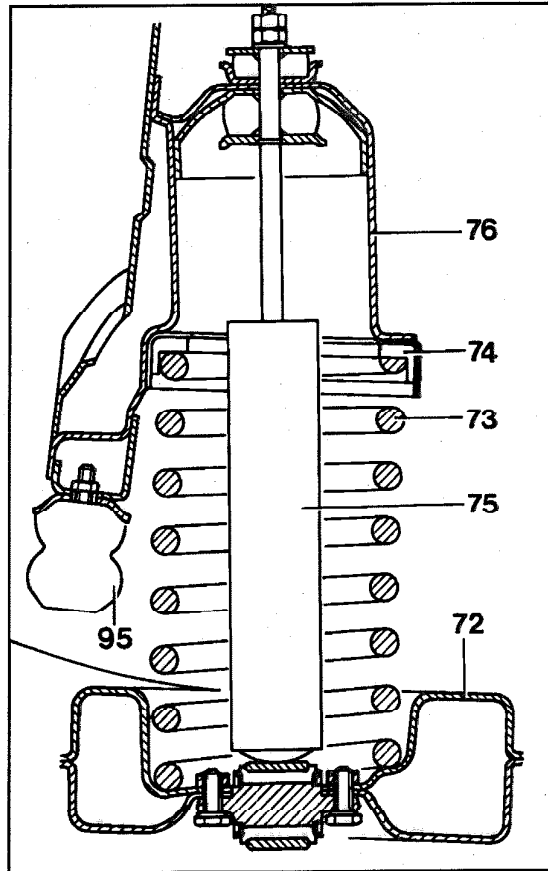
11 Position rubber spacer on rear spring and insert rear spring so that the end of the coil is positioned in the recess in the semi-trailing arm.

12 Release tension on rear spring while ensuring that rubber spacer is properly positioned in frame floor and end of winding seated correctly in semi-trailing arm.

**⚠ CAUTION!**

Do not use impact wrench.

13 Install rear shock absorber or spring strut (32-110 or 32-610). When installing always install bottom mount on semi-trailing arm first.



P32-5284-17

- 72 Semi-trailing arm
- 73 Rear spring
- 74 Rubber spacer
- 75 Shock absorber or spring strut
- 76 Dome on frame floor
- 95 Auxiliary rubber spring (stop buffer)

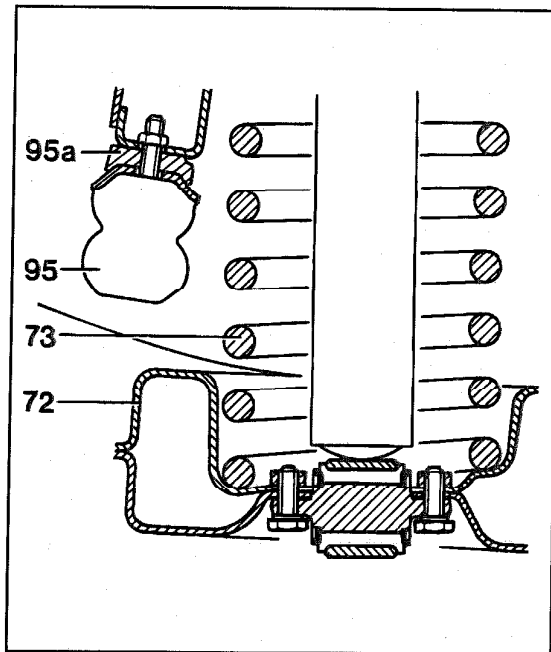
## 32-230 R and R rear springs

### Note

On models 126.039/045, an 8.5 mm thick spacer is installed between the auxiliary rubber spring (stop buffer) and the frame floor.

### Arrangement of spring stop

- 95 Auxiliary rubber spring
- 95a Spacer
- 72 Semi-trailing arm
- 73 Rear spring

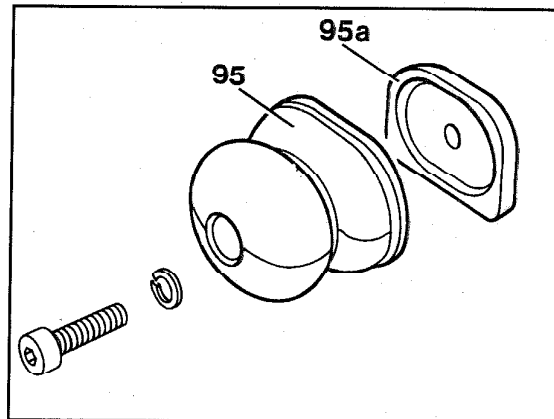


P32-5285-15

### Note

A longer Allen screw (M8 x 30) is installed on vehicles with spacer.

- 95 Auxilliary rubber spring
- 95a Spacer



P32-2184-13

- 14 Lower vehicle.
- 15 Check vehicle level at rear axle (40-300).
- 16 Adjust headlamps (82-1130).