

00-9008 Lifting vehicle on hoist

Note

All vehicles may only be lifted at the points on the body specifically provided for this purpose.

The lifting pads of the lifting equipment must be provided with hard rubber pads of approx. 155 mm diameter each. When lifting vehicles with long wheel base on 2-column lifting platforms, extensions for 2 support arms are required depending on the lifting platform.

With the vehicles jacked up or raised, it must be taken into account, particularly when working at the front end, at the rear or when removing units, that the load distribution changes considerably at the supporting points, possibly resulting in the vehicle tipping over to the front or rear.

This applies also to vehicles with loaded trunk or special vehicles (e.g. ambulances). Always use the straightening bench with fixed clamping facilities for the body when renewing the front end or rear of the vehicle.

In order to counteract the risk of tipping on lifting platforms, compensate for weight removal by means of sandbags etc.

A. Models 126

The support points at the outer frame side members in the area of the insert pipes for the on-board jack are provided with inserted hard rubber plates or hard rubber buffers.

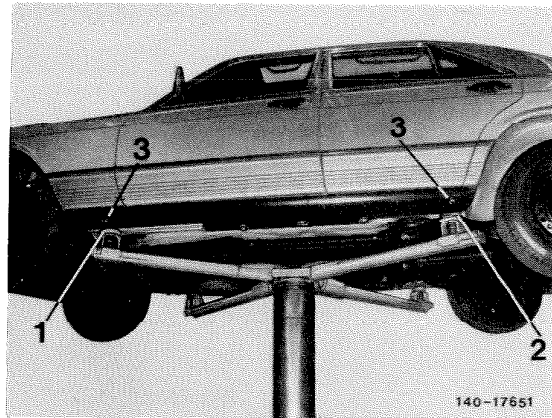
When applying the lifting platform support arms, ensure that they are properly positioned with respect to the hard rubber plates or hard rubber buffers.

Note

The support points at the outer frame side members can also be utilized for lateral lifting with a workshop jack.

Model 126

- 1 Front support point
- 2 Rear support point
- 3 Insert pipes for on-board jack



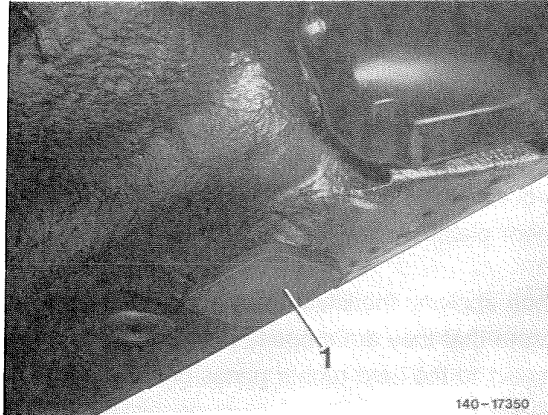
140-17651

140-17651

00-9008 Lifting vehicle on hoist

Model 126

- 1 Front support point
(hard rubber plate)

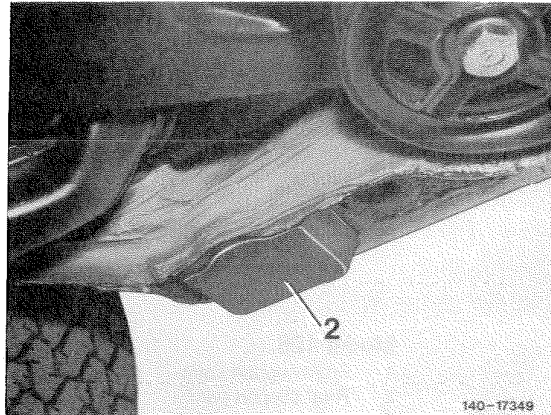


140-17350

140-17350

Model 126

- 1 Rear support point
(hard rubber plate)



140-17349

140-17349

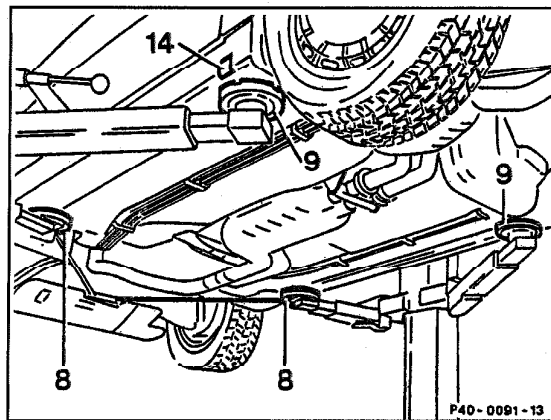
Note

The support points are provided with hard rubber buffers at the level of the insert pipes for the on-board jack.

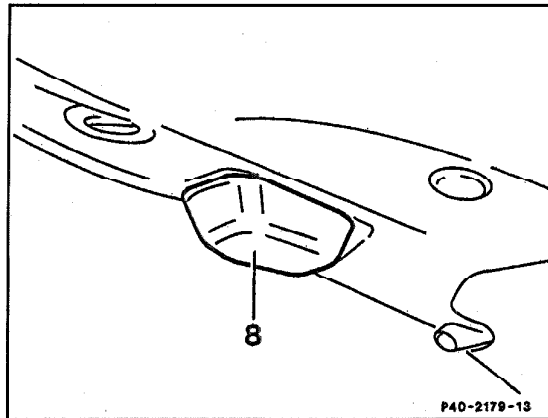
When applying the lifting platform support arms, ensure that they are properly positioned with respect to the hard rubber buffers.

The support points can also be used for lateral lifting with a workshop jack.

- 8 Front support point
- 12 Rear support point
- 14 Insert pipes for on-board jack



P40-0091-13



- 8 Front support point (hard rubber buffer)

P40-2179-13