

GL 550



2016



GL



Mercedes-Benz





THE MEASURES THAT MATTER

*BEFORE YOU PUT YOUR FAMILY INTO A LUXURY SUV, LOOK BEYOND
HOW MUCH IT HOLDS. EXAMINE THE PRINCIPLES IT UPHOLDS.*





SEVEN SEATS AT THE FOREFRONT

The GL offers first-class luxury to all seven of its passengers—even in the third row. Its air suspension handles changing roads and cargo loads with equal ease. Its safety innovations watch the road ahead and the trailer behind. And its cabin is a showcase of high-end refinement and high-tech advancement. From the ultimate family road trip to the everyday moments that make life rich, the GL upholds even more than it holds. You can measure a large luxury SUV by many dimensions. Only one has the depth of engineering, and the height of character, that make it a Mercedes-Benz.





THE PROMISE OF FULFILLMENT

*THE GL WAS NOT DEVELOPED BY ASKING "HOW BIG SHOULD IT BE?"
MERCEDES-BENZ ENGINEERS ANSWERED "HOW GOOD COULD IT BE?"*





CONFIDENCE YOU CAN SEE AND FEEL

Chiseled muscle, polished chrome, and 19" to 21" wheels create more than a powerful visual presence. What you feel from the GL driver seat is even more impressive. Elegant proportions conceal greater space and comfort than several of its bulkier competitors, including a third row that's unusually inviting. From aerodynamics to acoustics, Mercedes-Benz engineers let no detail escape their scrutiny. The result is agility, stability and visibility that set the GL apart, and put you ahead. Other luxury SUVs may wrap you in flashy swagger. The GL's confidence is something you feel inside.



HOW FAR IT'LL GO FOR YOU

*BEYOND ITS THREE SPACIOUS ROWS OF SEATING AND
GENEROUS CARGO HOLD, THE GL IS DEFINED BY ITS
CAPACITY TO PLEASE. FROM ITS TAILORING TO ITS
THOUGHTFULNESS, THE GL DOES NOTHING HALFWAY.*





GRAND IN EVERY DETAIL

The cabin of the GL is not merely luxurious, it's welcoming. Finely crafted seats and lustrous finishes invite your touch and your gaze—and even tempt them to linger. The heated front seats can be outfitted to help keep you cool in summer, or to rejuvenate you with a massage. Second- and third-row passengers enjoy class-leading headroom—an achievement made even more impressive by their chairlike height. In fact, the GL invites you to compare its comfort in any row to other large SUVs. From the quality of its tiniest stitch to the size of its Panorama roof, it's a grand experience on every level.

THOUGHTFUL IN ITS NATURE

The time that goes into creating the GL cabin is one reason you'll enjoy your time in it for years to come. Its seats are finely tailored in an appealing array of upholsteries—from supple yet enduring MB-Tex to indulgently handcrafted *designo* Nappa leather. You can appoint the dash and doors in a wide choice of responsibly forested and hand-finished wood trim. You can accent the steering wheel in matching wood, or enjoy a soothing heated steering wheel hand-stitched in Nappa leather. And what's concealed beneath the GL cabin's surfaces evokes its own inner beauty: Foam padding is steam-expanded, a process that was pioneered by Mercedes-Benz to eliminate harmful chemicals from the vehicle and its manufacturing facilities. While numerous cabin elements are sustainably supported by products made from flax, coconut and olives.

ECONOMICS OF SCALE

*FULL-SIZE ROOM AND FULL-STRENGTH PERFORMANCE
DELIVER A MIGHTY IMPRESSION WITH A GENTLER IMPRINT.*



PERFORMANCE RUNS IN THE FAMILY

Step on the accelerator in any GL and you'll feel the pickup of a torque-rich, turbocharged Direct Injection engine. From a clean-diesel turbo V-6,¹ to a biturbo gasoline V-6 or V-8, each engine pairs responsive power with responsible emissions and efficiency. But unlike other large SUVs, you won't find an ounce of pickup-truck, that is—anywhere in a GL. With fully independent and self-leveling AIRMATIC® suspension, nimble 4MATIC® all-wheel drive, and tight uni-body construction, every GL is engineered to handle with the confidence, composure and enthusiasm of a Mercedes-Benz.



Please see endnotes at back of brochure.

PEDIGREE OF PERFORMANCE

MERCEDES-AMG IS A TEAM OF PEOPLE WHO DEVELOP, CRAFT AND DRIVE RACECARS. ON THE TRACK, THEY WIN. TO GO OFF THE BEATEN TRACK, THEY CREATE SUREFOOTED SUVs WITH HANDCRAFTED POWER. AND YOU WIN.



AMG

DRIVING PERFORMANCE

DEP
DEALER E-PROCESS

"One man, one engine" is more than a motto for AMG. It's a guiding philosophy and a process rooted in racing, where precision and endurance are proven in record time. The heart of a Mercedes-AMG GL 63 is its 550-hp biturbo V-8. Each one is crafted by the hands of its own master engine builder, who visually inspects and records every component, and computer-verifies each torque spec. Only after the engine is individually bench-tested does it earn his signature—on a metal plaque that he affixes atop its cover. This degree of detail-obsession is evident throughout the vehicle—from its mighty brake hardware to its range of driver-selected modes to its finely stitched, hand-fitted Nappa leather upholstery.

The 560 lb-ft torque output of the biturbo V-8 is more than a peak—it's a plateau that spans from 2,000 to 5,000 rpm. Teaming with a paddle-shifted 7-speed AMG SPEEDSHIFT® PLUS transmission, it can thrust this 7-passenger SUV from 0 to 60 mph in just 4.8 seconds.² AMG Performance 4MATIC® all-wheel drive sends 60% of the torque to the rear wheels, optimizing handling dynamics on wet and dry surfaces. The AMG AIRMATIC® suspension further elevates agility with its adaptive damping, ACTIVE CURVE SYSTEM, and 21" AMG® wheels. And with its *designo* Nappa leather and rich wood or carbon fiber trim, the lavish cabin rather literally makes the GL 63 an iron fist in a supple, hand-sewn leather glove.



Please see endnotes at back of brochure.



DEP
DEALER E-PROCESS

SAFETY FIRST AND FOR ALL

WHEN SECONDS MATTER MOST, SO DO FIRSTS. IT'S WHY MERCEDES-BENZ ENGINEERS KEEP THINKING UP WAYS TO MAKE EVERY CAR AND SUV SAFER.

Every effort of Mercedes-Benz safety engineers goes toward a singular goal: accident-free driving. They're also keenly aware that achieving this goal only for the vehicles they design would be pointless. The roads can only be safe for someone when they're safe for everyone. The 1951 patent for the first crumple zone is one of more than 88,000 that Mercedes-Benz has earned in the past 130 years. Energy-absorbing front and rear deformation zones flank a reinforced "safety cell" for the passengers. But the idea did more than better protect the occupants of a Mercedes-Benz. It eventually became the way all automobiles are made, thereby helping protect everyone on the road better. Over the decades, countless breakthroughs that were

pioneered under the Three-Pointed Star have gone on to become the safety standards for all automobiles—like the Antilock Braking System (ABS), the Electronic Stability Program (ESP®), emergency-sensing Brake Assist (BAS®), seat-belt Emergency Tensioning Devices (ETDs), and side curtain air bags. Mercedes-Benz also introduced most of these to SUVs, too—along with the 4-wheel Electronic Traction System (4-ETS®). True, you can expect to see some of the groundbreaking advancements of today's Mercedes-Benz on other cars and SUVs a few years down the road. That said, sometimes the future is only a few milliseconds in front of you. And nobody prepares you for it like the engineers who've spent decades thinking about it.



A LEGACY TO PROTECT

THERE MAY BE NO STRONGER TRAIT IN THE MERCEDES-BENZ FAMILY THAN PROTECTING THE FUTURE OF YOURS. WITH AN ADVANCED, 360° NETWORK OF SENSORS, RESTRAINTS AND REINFORCEMENTS, THE GL LOOKS OUT FOR YOUR SAFETY LIKE NO OTHER 7-PASSENGER SUV.

COLLISION PREVENTION ASSIST

When you're driving at speeds above 4 mph, standard radar-based technology continually scans the road ahead. COLLISION PREVENTION ASSIST can issue visual and audible alerts if it senses that you're following a vehicle too closely or approaching it too quickly. As soon as you start to brake, the system's Adaptive Brake Assist feature automatically adjusts the braking to the ideal level it deems necessary to help prevent a collision or reduce its severity.³

ATTENTION ASSIST

By continuously monitoring as many as 70 parameters of driving behavior, ATTENTION ASSIST® can alert you both visually and audibly if it detects signs of driver-drowsiness on long trips. Its enhanced sensitivity helps the system detect drivers who begin their trip drowsy. A display in the gauge cluster can help you track your own attention level and driving time along your journey.⁴

ACTIVE LANE KEEPING ASSIST

By monitoring visible road markings at speeds above 37 mph, Active Lane Keeping Assist helps detect unintended drifting off-course, and alerts you by vibrating the steering wheel. If you continue to drift, it can selectively brake individual wheels to help guide the car back into its lane. It can also help detect and alert you to overtaking vehicles, vehicles you'll need to overtake if you change lanes, and even oncoming traffic in the adjacent lane.⁴

ACTIVE BLIND SPOT ASSIST

When you're driving above 20 mph, radar technology helps sense when a vehicle enters the blind-spot area on either side of you, and alerts you by illuminating an icon in the side mirror. A warning tone sounds if you activate a turn signal while a vehicle is detected. And if you begin to change lanes, advanced active technology can help guide the car back by applying the brakes on one side.⁵





DISTRONIC PLUS WITH PRE-SAFE BRAKE

Radar-based cruise control adapts your set speed to the flow of traffic ahead, automatically slowing until your path is clear again. If the vehicle ahead slows to a stop, DISTRONIC PLUS[®] can brake to a full halt. When traffic starts to go, you can resume with just a tap.⁶ And whether you're using the cruise control or not, PRE-SAFE[®] Brake can help detect an impending collision and automatically apply up to 100% braking force to help reduce the severity of impact.⁷

PARKTRONIC WITH ACTIVE PARKING ASSIST

Sensors size up parallel parking spaces as you drive by. When you decide to back into one, Active Parking Assist can park your GL virtually hands-free—expertly steering while you operate the pedals. In any low-speed maneuver, PARKTRONIC's ultrasonic sensors help detect nearby objects in its field of view. Audiovisual indicators in the cabin help you negotiate tight spaces with ease.

CROSSWIND ASSIST

Interpreting information that is continually supplied by the vehicle's steering, ESP[®] and other sensors, Crosswind Assist helps detect the effects of strong side winds on handling stability when driving at highway speeds. Whether it's caused by lateral gusts or even a passing truck, the system unobtrusively helps to keep the GL on course via strategic braking of the wheels on one side of the vehicle, along with precise adjustments to the adaptive AIRMATIC[®] suspension.⁸

TRAILER STABILITY ASSIST

Every GL can tow up to 7,500 lbs when equipped with the available hitch.⁹ Working in concert with the sensors for the Electronic Stability Program (ESP[®]), standard Trailer Stability Assist monitors for trailer oscillations, or sway, that can sometimes occur while towing. If needed, the system can intervene by using the GL's front brakes to help stabilize both the vehicle and the trailer.⁸



CLARITY OF PURPOSE

DRIVING IS MULTITASKING. INTUITIVE DESIGN PUTS YOU CLEARLY IN CONTROL.



DEP
DEALER E-PROCESS

FAR-REACHING, YET FINGERTIP-CLOSE

Supersized capacity describes more than just the GL's seating and cargo areas. Its COMAND® system can deliver a world of listening options and the searching power of the Internet.¹⁰ More importantly, it can bring it all to your fingertips. A console-close central controller and multifunction steering wheel work in concert with two vivid color screens in the dash. By uniting high tech with human nature, the GL lets you feel connected on the road, while staying focused on it too.



Please see endnotes at back of brochure.

SOMETHING FOR EVERYONE

Even with spacious seating for seven, the GL leaves ample room for differences of opinion. Available 3-zone climate control lets the rear cabin enjoy its own air-conditioning setup. Heated and cooled front cupholders can keep the driver's and passenger's beverages at a tastier temperature. A Rear Seat Entertainment system includes dual inputs, wireless remotes and wireless headsets. So while one 2nd-row passenger plugs in a gaming console, another can watch a DVD movie. They can also play or watch together. Console controls let the driver set up the AIRMATIC® suspension and available On/Off-Road Package¹¹ to suit the situation, from highway comfort to rugged terrain to trailer-towing.⁹ The rearview camera includes a zoom mode to make attaching a trailer easier, while the Surround View System composes four cameras into a birdseye view.¹²



*FROM TEMPERATURE TO TERRAIN, THE THOUGHTFUL
TECHNOLOGY IN THE GL ADAPTS TO SATISFY YOU.*

DEGREES OF EASINESS



WITH SUMPTUOUS SEATING FOR SEVEN ADULTS, THE GL HAS SOMETHING SPECIAL TO OFFER ITS OCCUPANTS IN EVERY ROW. AND WITH UP TO 93.8 CUBIC FEET OF RICHLY FINISHED, EASY-TO-RECONFIGURE CARGO ROOM, EVEN YOUR LUGGAGE TRAVELS IN FIRST CLASS.

CAPACITY FOR CHANGE





If you've ever sat in the far back of a full-size SUV, the GL's third row will surprise you. You can enter gracefully, thanks to an EASY-ENTRY® feature on both sides of the 2nd-row seat. Power-operated EASY-ENTRY is optional as well. The available side running boards integrate LED lighting of their rubber-dotted step surfaces. And the independent rear suspension allows for a flatter floor, with up to 10" more legroom than its competitors.¹³ The 2nd-row seatbacks recline to 10 positions, or fold flat in a 60/40 split. Open the power liftgate—which you can easily program for a low garage ceiling—and you'll find controls to power-fold the 50/50-split third row. Within seconds, you can configure your GL to accommodate five people and nearly 50 cu ft of cargo, or two people and nearly 94 cu ft—all in elegant luxury.¹⁴ Even with all seven seats filled, a giant Panorama roof lets you take in the sky.



TOGETHER WHEREVER

IT'S PERFECTLY NATURAL TO DEVELOP AN EMOTIONAL ATTACHMENT TO YOUR MERCEDES-BENZ. WITH MBRACE, ENJOYING A TECHNOLOGICAL CONNECTION IS JUST AS EASY.

With Mercedes-Benz mbrace®, your car is only a click away. Five years of mbrace Connect benefits and services¹⁰ come standard with every new 2016 Mercedes-Benz, providing you with remote access to your vehicle from your smartphone or computer. With the mbrace Mobile App,¹⁵ you can lock, unlock and locate your car—and more—from your phone. You can access Google and Yelp from your car with an ever-evolving variety of in-vehicle apps. You can send destinations to your vehicle's available COMAND® navigation system from your computer or phone. Even your car can reach out, with remote diagnostics and a direct connection to Mercedes-Benz Roadside Assistance.¹⁶ Three additional packages bring you even more connections—from added safety to a personal concierge to streaming music from all around the globe. With mbrace, your Mercedes-Benz helps you stay connected not just to your car, but to your world—from anywhere you are, and wherever tomorrow takes you.

mbrace Connect

5 years included

State-of-the-art convenience with remote vehicle access, in-vehicle apps and over-the-air updates

Package includes:

- mbrace Mobile App for Android or iPhone
- Remote lock/unlock and other vehicle features via Mobile App
- Access to mbrace Web services at mbrace.MBUSA.com
- Remote diagnostics with direct dealer connection
- Over-the-air updates of many mbrace features and apps
- An evolving selection of Mercedes-Benz Apps, such as:
 - Google™ Local Search
 - Yelp
 - Fuel station finder with prices
 - Weather reports locally and around the world
 - Airport flight status
 - Local movie theater showtimes
- Valet Protect
- Viewable traffic cams in many metro markets

mbrace Secure

6-month trial included
Requires mbrace Connect

Added peace of mind from safety and security features for you, your family, and your vehicle

Package includes:

- Automatic Collision Notification
- Emergency calling from your car's SOS button or the Mobile App
- Automatic Alarm Notification
- Stolen vehicle location assistance
- Agent-assisted remote locking and unlocking
- Dealer connect

mbrace Concierge

3-month trial included
Requires mbrace Secure

Personal assistance from highly knowledgeable professionals with access to a world of resources

Package includes:

- Personal concierges to help you stay more productive on the road, or from the Mobile App on your smartphone
- Expert recommendations and reservations for dining out, and for tickets to events
- Turn-by-turn directions from a live assistant or sent to your car
- Travel assistance, including reservations and changes for hotels, airlines and car rentals
- Answers to most any question, help with most any request

mbrace Entertain

3-month trial included
Requires mbrace Secure

Online, on-the-road enjoyment from streaming entertainment to online maps

Package includes:

- Streaming audio and data via widely available 3G coverage
- Online maps, powered by Google
- A selection of streaming audio apps, including:
 - TuneIn® radio
 - iHeartRadio® Available starting Fall 2015
 - Mercedes-Benz Radio

Mercedes me is a new online destination for Mercedes-Benz drivers, where you can access vehicle info, get more from your mbrace features, learn more about your car, and follow the exciting world of Mercedes-Benz. Take a tour at MBUSA.com/me





CAR IN YOUR POCKET

The mbrace Mobile App on your iPhone or Android phone includes a number of remote vehicle controls among its many useful features. You can lock and unlock the doors from any distance. Locate your car on a map. Or flash its lights and sound the horn. You can even look up an address, and send it directly to your vehicle's COMAND navigation system.



OUR WORLD IS YOURS

The online world of Mercedes-Benz is one of many ways you can enjoy being part of the family. You can keep up to date with news and events, or take in an entertaining film. You can get more from your vehicle with helpful tutorial videos and downloadable manuals. And you can check out photos from other Mercedes-Benz drivers and fans, and best of all, share yours as well.

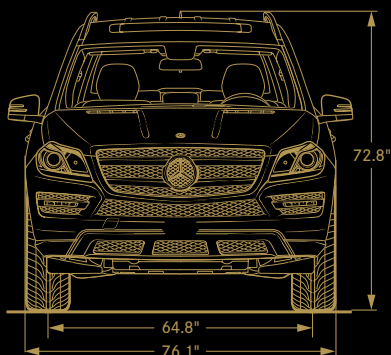


BUILD YOUR OWN

MBUSA.com/GL

<i>Specifications</i>		GL 350 BlueTEC ¹	GL 450 4MATIC	GL 550 4MATIC	AMG GL 63
Engine	Type	3.0-liter turbo clean diesel V-6	3.0-liter biturbo Direct Injection gasoline V-6	4.7-liter biturbo Direct Injection gasoline V-8	Handcrafted 5.5-liter biturbo Direct Injection AMG gasoline V-8
	Power Torque	240 hp @ 3,600 rpm 455 lb-ft torque @ 1,600-2,400 rpm	362 hp @ 5,500-6,000 rpm 369 lb-ft torque @ 1,800-4,500 rpm	429 hp @ 5,250 rpm 516 lb-ft torque @ 1,800-3,500 rpm	550 hp @ 5,250-5,750 rpm 560 lb-ft torque @ 2,000-5,000 rpm
Transmission		7-speed automatic with shift paddles	7-speed automatic with shift paddles	7-speed automatic with shift paddles	7-speed AMG SPEEDSHIFT [®] PLUS with shift paddles
Acceleration, 0-60 mph²		8.3 sec	6.6 sec	5.5 sec	4.8 sec
Wheels		19" twin 5-spoke w/all-season tires	19" twin 5-spoke w/all-season tires	21" AMG [®] twin 5-spoke w/all-season tires	21" AMG twin 5-spoke w/high-performance tires
Suspension		4-wheel multilink w/self-leveling AIRMATIC [®]	4-wheel multilink w/self-leveling AIRMATIC	4-wheel multilink with self-leveling AIRMATIC and Adaptive Damping	4-wheel multilink with self-leveling AMG AIRMATIC, Adaptive Damping and ACTIVE CURVE SYSTEM
Drivetrain		4MATIC [®] all-wheel drive	4MATIC all-wheel drive	4MATIC all-wheel drive	AMG Performance 4MATIC all-wheel drive

<i>Dimensions</i>	GL 350 BlueTEC	GL 450 4MATIC	GL 550 4MATIC	AMG GL 63
Wheelbase	121.1"	121.1"	121.1"	121.1"
Overall length	201.6"	201.6"	202.6"	202.6"
Overall height (maximum, w/roof rails)	75.2"	75.2"	75.2"	75.2"
Overall width (w/mirrors)	84.3"	84.3"	84.3"	84.3"
Curb weight	5,467 lbs	5,335 lbs	5,578 lbs	5,754 lbs
Headroom (1st/2nd/3rd row)	41.2" / 40.0" / 38.9"	41.2" / 40.0" / 38.9"	41.2" / 40.0" / 38.9"	41.2" / 40.0" / 38.9"
Legroom (1st/2nd/3rd row)	40.3" / 38.5" / 35.0"	40.3" / 38.5" / 35.0"	40.3" / 38.5" / 35.0"	40.3" / 38.5" / 35.0"
Shoulder room (1st/2nd/3rd row)	58.5" / 58.3" / 50.5"	58.5" / 58.3" / 50.5"	58.5" / 58.3" / 50.5"	58.5" / 58.3" / 50.5"
Cargo capacity ⁴				
Behind 3rd row (floor to ceiling)	16.0 cu ft	16.0 cu ft	16.0 cu ft	16.0 cu ft
3rd row folded (floor to ceiling)	49.4 cu ft	49.4 cu ft	49.4 cu ft	49.4 cu ft
2nd and 3rd rows folded (floor to ceiling)	93.8 cu ft	93.8 cu ft	93.8 cu ft	93.8 cu ft



KEY STANDARD FEATURES

GL 350 BlueTEC
GL 450 4MATIC
GL 550 4MATIC
AMG GL 63

Performance and efficiency

- ● — ● ECO Start/Stop system
- ● ● — 4MATIC all-wheel drive
- — — ● AMG Performance 4MATIC all-wheel drive

Safety and security

- ● ● ● COLLISION PREVENTION ASSIST
- ● ● ● ATTENTION ASSIST®
- ● ● ● PRE-SAFE®
- ● ● ● Electronic Stability Program (ESP®)
- ● ● ● Adaptive braking technology: Predictive Brake Priming, Hill-Start Assist, Automatic Brake Drying, Brake HOLD feature
- ● ● ● Emergency-sensing Brake Assist (BAS®)
- ● ● ● Advanced Tire Pressure Monitoring System
- ● ● ● Trailer Stability Assist⁹
- ● ● ● Crosswind Assist
- ○ ● — Blind Spot Assist⁵
- ○ ○ ● Active Blind Spot Assist⁵
- ○ ● — Lane Keeping Assist⁴
- ○ ○ ● Active Lane Keeping Assist⁴
- ○ ○ ● DISTRONIC PLUS® with PRE-SAFE® Brake⁶
- ○ ● ● PARKTRONIC with Active Parking Assist
- ● — — Rearview camera¹²
- ○ ● ● Surround View System¹²
- ● ● ● 11-way air bag protection
- ● ● ● LED Daytime Running Lamps and LED taillamps
- ○ ● ● Bi-Xenon headlamps with Active Curve Illumination
- ○ ● ● Adaptive Highbeam Assist
- ● ● ● SmartKey remote locking and starting system
- ○ ● ● KEYLESS-GO®
- ○ ● ● Soft-close doors
- ● ● ● Power liftgate
- ● ● ● Antitheft alarm system w/remote panic feature

GL 350 BlueTEC
GL 450 4MATIC
GL 550 4MATIC
AMG GL 63

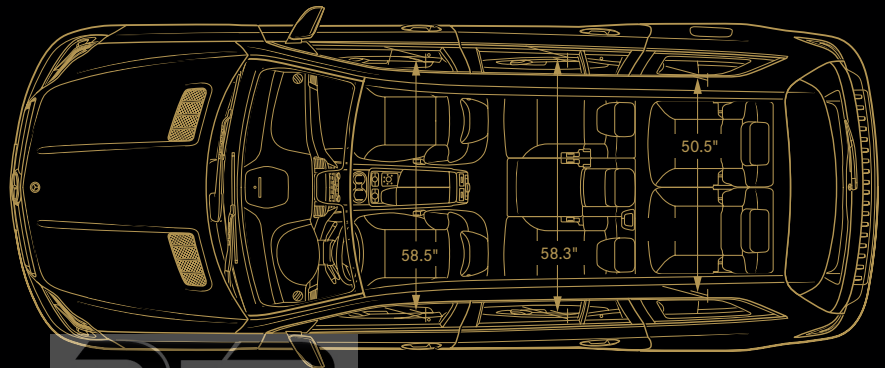
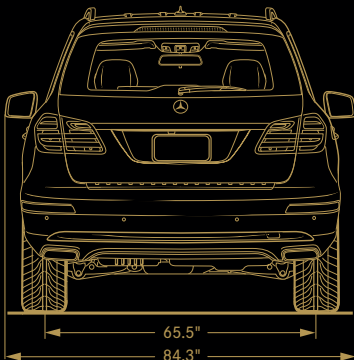
Comfort and convenience

- ○ ● ● 14-way power front seats with memory
- ● — — Heated front seats
- ○ ● ● Heated, ventilated and multicontour front seats
- ● ● ● 60/40-split 2nd-row seats with EASY-ENTRY®
- ○ ○ ● Heated 2nd-row seats
- ● ● ● Power-folding 50/50-split 3rd-row seats
- ● ● ● Multifunction steering wheel w/Nappa leather trim
- ○ ● △ Wood/leather steering wheel
- — — ● AMG sport steering wheel
- ● — — Dual-zone automatic climate control
- ○ ● ● 3-zone automatic climate control
- ● ● — Power tilt/sliding tinted glass sunroof
- ○ ○ ● Panorama roof
- ○ ● ● Multicolor ambient lighting, illuminated front door sills
- ○ ● ● Heated and cooled front cupholders
- ● ● ● Household-type 115-volt AC power outlet (in second row)
- ○ ● ● Illuminated brushed aluminum running boards
- ● ● ● Rain-sensing windshield wipers
- ● ● ● Rear-window wiper w/auto-on in Reverse
- ○ ● ● Power-folding side mirrors, auto-dimming driver-side and inside rearview mirrors

Entertainment and navigation

- ● ● ● COMAND® system with central controller
- ○ ● ● COMAND navigation, voice control w/learning feature
- ○ ● ● 5 years of Traffic and Weather service by SiriusXM¹⁷
- ○ ● ● No-charge navigation map updates for 3 years
- ○ ● ● harman/kardon LOGIC7® sound system
- ● ● ● Bluetooth® audio streaming, USB audio port
- ○ ● ● SiriusXM Radio w/6-month All Access trial¹⁷
- ● ● ● HD Radio™ receiver
- ● ● ● In-dash DVD/CD player and SD card reader
- ● ● ● Hands-free Bluetooth interface
- ● ● ● Mercedes-Benz mbrace®
- ● ● ● 5 years of mbrace Connect services¹⁰

● Standard ○ Optional △ No-charge option — Not available





DEP
DEALER E-PROCESS

OPTIONS AND ACCESSORIES

Option Packages

	GL 350 BlueTEC	GL 450 4MATIC	GL 550 4MATIC	AMG GL 63
Premium Package	○	○	●	●
<ul style="list-style-type: none"> • COMAND® hard-drive navigation • No-charge navigation map updates for 3 years • SiriusXM Radio with 6-month All Access trial¹⁷ • 5 years of SiriusXM Traffic and Weather service¹⁷ • 14-way power front seats with 3-position memory • Heated and cooled front cupholders • Multicolor ambient lighting • Illuminated front door sills • KEYLESS-GO® • Power-folding side mirrors • Auto-dimming driver-side and inside rearview mirrors 				
Lighting Package	○	○	●	●
<ul style="list-style-type: none"> • Bi-Xenon headlamps with Active Curve Illumination • Adaptive Highbeam Assist 				
Appearance Package	○	○	—	—
<ul style="list-style-type: none"> • 20" AMG® 5-spoke wheels • Illuminated brushed aluminum running boards • Chrome exhaust tips <i>GL 450 only</i> 				
On/Off-Road Package¹¹	—	○	○	—
<i>GL 450 requires special-order Adaptive Damping System</i> <ul style="list-style-type: none"> • DYNAMIC SELECT with two OFFROAD programs • 2-speed transfer case • Front underdrive protection 				
Parking Assist Package	○	○	●	●
<ul style="list-style-type: none"> • PARKTRONIC with Active Parking Assist • Surround View System¹² 				
Lane Tracking Package	○	○	●	—
<i>GL 350 BlueTEC and GL 450 require Premium Package</i> <ul style="list-style-type: none"> • Blind Spot Assist⁵ • Lane Keeping Assist⁴ 				
Driver Assistance Package	○	○	○	●
<i>GL 350 BlueTEC and GL 450 require Premium Package</i> <ul style="list-style-type: none"> • DISTRONIC PLUS® with PRE-SAFE® Brake⁶ • Active Blind Spot Assist⁵ • Active Lane Keeping Assist⁴ 				

Individual options

	GL 350 BlueTEC	GL 450 4MATIC	GL 550 4MATIC	AMG GL 63
ACTIVE CURVE SYSTEM <i>GL 350 BlueTEC and GL 450 require special-order Adaptive Damping System</i>	○	○	○	●
Trailer hitch (Class IV) ⁹	○	○	○	○
Red-painted brake calipers	—	—	—	△
21" AMG twin 5-spoke wheels (Black)	—	—	—	○
PARKTRONIC with Active Parking Assist <i>Also in Parking Assist Package</i>	○	○	●	●
Panorama roof	○	○	○	●
Soft-close doors	○	○	●	●
Illuminated brushed aluminum running boards <i>Also in Appearance Package</i>	○	○	●	●
Ventilated front seats	○	○	●	●
Multicontour front seats with massage feature and multi-adjustable luxury head restraints	○	○	●	●
Heated outboard rear seats <i>Includes 2nd-row climate control panel</i>	○	○	○	●
3-zone climate control	○	○	●	●
Power EASY-ENTRY® feature for 2nd-row seats	○	○	○	○
Heated steering wheel ¹⁸ <i>GL 350 BlueTEC and GL 450 require Premium Package</i>	○	○	○	○
Wood/leather steering wheel ¹⁸	○	○	●	△
<i>designo</i> wood/leather steering wheel ¹⁸ <i>Requires designo Black Piano Lacquer wood trim</i>	○	○	○	○
AMG Performance steering wheel with DINAMICA side grips ¹⁸	—	—	—	○
harman/kardon LOGIC7® sound system	○	○	●	●
Bang & Olufsen BeoSound® Premium Sound System ¹⁹ <i>GL 350 BlueTEC and GL 450 require Appearance Package</i>	○	○	○	○
Rear Seat Entertainment system	○	○	○	○
Rear Seat Entertainment system prewiring	○	○	○	○
Leather upholstery	○	○	●	—
<i>designo</i> or AMG <i>designo</i> Exclusive Nappa leather upholstery <i>Includes DINAMICA headliner</i>	○	○	○	●
Eucalyptus wood trim	●	●	—	—
Burl Walnut wood trim	○	○	●	●
<i>Included with leather upholstery on GL 350 BlueTEC and GL 450</i>				
Anthracite Poplar wood trim	○	○	○	○
Natural Grain Brown Ash wood trim	○	○	○	○
<i>designo</i> Black Piano Lacquer wood trim <i>Requires designo leather upholstery on non-AMG models</i>	○	○	○	○
Metallic paint	○	○	△	△

Accessories *Selected items shown at left*

20" multispoke wheels	○	○	○	—
Illuminated Star <i>Not available with Driver Assistance Package</i>	○	○	○	○
Roof rack basic carrier	○	○	○	○
Ski/snowboard and bicycle racks <i>Requires basic carrier</i>	○	○	○	○
Clip-on iPad Docking Station <i>Up to two per vehicle</i>	○	○	○	○
All-season floor mats	○	○	○	○
Cargo-area tray	○	○	○	○
Cargo box	○	○	○	○

● Standard ○ Optional △ No-charge option — Not available



COLOR AND TRIM

● Standard ○ Optional

UPHOLSTERY STYLES



MB-Tex
● GL 350 BlueTEC, GL 450



Leather
● GL 550
○ GL 350 BlueTEC, GL 450



designo Exclusive Nappa leather (diamond-pattern)
○ GL 350 BlueTEC, GL 450, GL 550



AMG designo Exclusive Nappa leather
● AMG GL 63

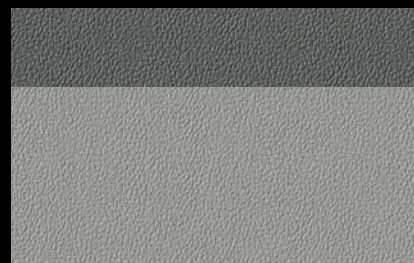
UPHOLSTERY COLORS



Black
MB-Tex, leather or Exclusive Nappa leathers



Almond Beige/Mocha
MB-Tex or leather



Grey/Dark Grey
MB-Tex or leather



Auburn Brown/Black Leather



Almond Beige/Black Leather



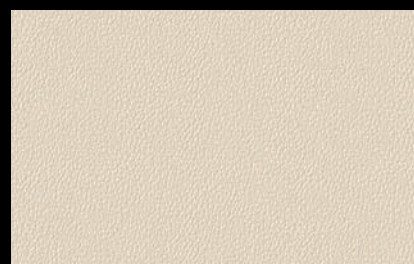
Grey/Black Leather



designo Auburn Brown Exclusive Nappa leathers



designo Black Exclusive Nappa leathers

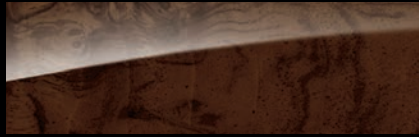


designo Porcelain Exclusive Nappa leathers

INTERIOR TRIM



Eucalyptus wood



Burl Walnut wood



Anthracite Poplar wood



Natural Grain Brown Ash wood



designo Black Piano Lacquer wood

PAINTWORK



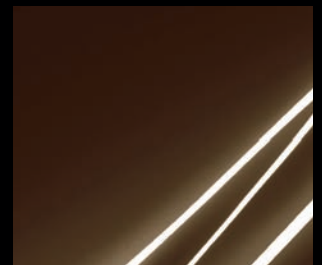
Black



Polar White



Steel Grey metallic



Dakota Brown metallic



Diamond Silver metallic



Iridium Silver metallic



Lunar Blue metallic



Obsidian Black metallic



Palladium Silver metallic



designo Diamond White metallic²⁰



WHEEL CHOICES

● Standard ○ Optional



19" twin 5-spoke
● GL 350 BlueTEC, GL 450



20" twin 5-spoke
○ GL 350 BlueTEC, GL 450 Appearance Package



21" AMG® twin 5-spoke
● GL 550



21" AMG® twin 5-spoke, Silver
● AMG GL 63



21" AMG twin 5-spoke, Black
○ AMG GL 63

©2015 Mercedes-Benz USA, LLC • 303 Perimeter Center North, Atlanta, GA 30346 • 1-800-FOR-MERCEDES • MBUSA.com

Marketing Communications. All illustrations and specifications contained in this brochure are based on the latest product information available at the time of publication. Mercedes-Benz reserves the right to make changes at any time, without notice, to colors, materials, equipment, specifications and models. Any variations in colors shown are due to reproduction variations of the printing process. Illustrations may include test situations. Some vehicles may be shown with non-U.S. equipment. Some vehicles are shown with optional equipment. iPad, iPhone and iPod are registered trademarks or service marks of Apple Inc. Bang & Olufsen and BeoSound are registered trademarks of Bang & Olufsen a/s. Bluetooth is a registered trademark of Bluetooth SIG, Inc. Android and Google Maps are registered trademarks of Google Inc. harman/kardon and LOGIC7 are registered trademarks of Harman International Industries, Inc. HD Radio is a proprietary trademark of iBiquity Digital Corporation. Sirius, XM and all related marks and logos are trademarks of Sirius XM Radio Inc. Tuneln is a registered service mark of Tuneln, Inc. Twitter is a registered trademark of Twitter, Inc. Yelp is a registered trademark of Yelp Inc.

ENDNOTES

- Requires ultralow-sulfur diesel fuel. Mercedes-Benz approves the use of B5 biodiesel (diesel fuel with maximum 5% biodiesel content) that meets ASTM D6751 specifications. Please see your fuel retailer and Operator's Manual for further information. The Mercedes-Benz New Vehicle Limited Warranty does not cover damage caused by non Mercedes-Benz approved fuel.
- Stated rates of acceleration are estimated based upon manufacturer's track results and may vary depending on model, environmental and road surface conditions, driving style, elevation and vehicle load.
- COLLISION PREVENTION ASSIST may not be sufficient to avoid an accident. It does not react to certain stationary objects, nor recognize or predict the curvature and/or lane layout of the road or every movement of vehicles ahead. It is the driver's responsibility at all times to be attentive to traffic and road conditions, and to provide the steering, braking and other driving inputs necessary to retain control of the vehicle. Drivers are cautioned not to wait for the system's alerts before braking, as that may not afford sufficient time and distance to brake safely.
- Driving while drowsy or distracted is dangerous and must be avoided. ATTENTION ASSIST® and/or Lane Keeping Assist may be insufficient to alert a fatigued or distracted driver of lane drift and cannot be relied on to avoid an accident or serious injury. Lane Keeping Assist operates at speeds above approximately 37 mph.
- Blind Spot Assist may not be sufficient to avoid all accidents involving vehicles in your blind spot and does not estimate the speed of approaching vehicles. It must not be used as a sole substitute for driver awareness and checking of surrounding traffic conditions. Blind Spot Assist operates at speeds above approximately 20 mph.
- DISTRONIC PLUS® adaptive cruise control is no substitute for active driving involvement. It does not adapt cruising speed in response to stationary objects, nor does it predict the curvature and lane layout of the road ahead or the movement of vehicles ahead. It is the driver's responsibility at all times to be attentive to traffic and road conditions, and to provide the steering, braking and other driving inputs necessary to retain control of the vehicle. Drivers are cautioned not to wait for the DISTRONIC Proximity Warning System before braking, as that may not afford sufficient time and distance to brake safely.
- Braking effectiveness also depends on proper brake maintenance, and tire and road conditions.
- No system, regardless of how advanced, can overcome the laws of physics or correct careless driving. Please always wear your seat belt. Performance is limited by available traction, which snow, ice and other conditions can affect. Always drive carefully, consistent with conditions. Best performance in snow is obtained with winter tires.
- Read Operator's Manual before towing. In some states, aftermarket trailer brakes are required. See dealer for details.
- All Mercedes-Benz mbrace® services operate only where cellular and Global Positioning System satellite signals are available, which are provided by third parties and not within the control of Mercedes-Benz USA, LLC. Five years of the mbrace Connect package are included with new-vehicle sales and leases at an authorized Mercedes-Benz dealer. Subscriber Agreement is required for service to be active. Some services are only available on select vehicles. Your PIN is required in order to use certain services. Some services may be limited or restricted in some areas. Apps may be introduced and updated at varying dates, and may also require a vehicle software update. Driver is responsible for complying with traffic and other laws. See your dealer or MBUSA.com/mbrace for details, including a list of compatible smartphones. Streaming Internet-based features require an active subscription to the mbrace Entertain Package. Connection may be limited by cellular signal.
- Requires special-order Adaptive Damping System (ADS) on GL350 BlueTEC and GL450. Special-order options incur a one-time surcharge. Please see your dealer for details. Off-road driving should only be attempted by drivers with the necessary skill, experience and understanding of the vehicle's limits. Read Operator's Manual before driving off-road or in deep water.
- Rearview camera and Surround View System do not audibly notify driver of nearby objects and are not a substitute for actively checking around the vehicle for any obstacles or people. Images displayed may be limited by camera field of view, weather, lighting conditions and the presence of dirt, ice or snow on the cameras.
- Competitive claims based on latest available manufacturer-published information for 2015 or 2016 large luxury SUVs.
- Unsecured cargo can become hazardous in a collision. Always secure cargo using the floor-mounted tie-downs.
- The mbrace Mobile App is compatible with Apple iPhone® models running iOS 7.0 or later, and Android-based phones running OS 2.3 or later. Please visit MBUSA.com/mbrace for more information.
- Roadside Assistance repairs may involve charges for parts, service and towing. Vehicle must be accessible from main roads. Depending on the circumstance, these services may be provided by an outside provider, courtesy of Mercedes-Benz Roadside Assistance. Restricted roadways, acts of nature and vehicle accessibility may limit our ability to provide services to you. For full details, eligibility requirements, and limitations/exclusions of Sign and Drive services, as well as the Roadside Assistance Program, please see your dealer.
- The purchase or lease of a new, satellite radio-enabled vehicle includes a 6-month introductory subscription to the Sirius All Access package, as well as a 5-year introductory subscription to SiriusXM Traffic and SiriusXM Weather. SiriusXM Traffic and Weather services are available for select markets. SiriusXM Satellite Radio, SiriusXM Traffic and SiriusXM Weather subscriptions are sold separately or as a package after trial period. If you decide to continue your subscription after your trial, the plan you choose will automatically renew and you will be charged according to your chosen payment method at then-current rates. Fees and taxes apply. To cancel you must call SiriusXM at 1-866-635-2349. See SiriusXM Customer Agreement for complete terms at siriusxm.com. All fees and programming subject to change.
- Steering-wheel options may not be ordered together. Design of each wheel option may vary.
- Spare tire is deleted with Bang & Olufsen sound system. Option includes Extended Mobility tires on GL350 BlueTEC and GL450. GL550 and AMG GL 63 are provided with TIREFIT sealant and a portable air pump.
- Extra-cost option.



The personal rewards of striving to be the best are even more meaningful in the development of young people than they are for automobiles. Instilling the values of leadership, goal-setting, discipline and teamwork in youth is an investment in everyone's future. It's why Mercedes-Benz USA is collaborating with the Laureus Sport for Good Foundation, with an ongoing commitment to train and place hundreds of coaches for after-school and in-school sports programs in communities around the country. Sports offer kids more than the chance to be physically active and have fun. It's also an opportunity to have a mentor who can guide them, help them learn how to deal with major life issues, and help them grow stronger not just physically but in their character. As a Mercedes-Benz driver, you become a part of this effort to give hundreds of thousands of kids a better life today, and all of us a brighter tomorrow.

Learn more about how Mercedes-Benz USA believes in giving back at MBUSA.com/community

