



The 2011 SLS AMG



Mercedes-Benz



AMG AMG

AMG  
33

FIN



## We dream in black and white checkered flags.

Right from the start, the Mercedes-Benz brand has stood for sporting success as well as comfort and luxury. On the road, and on the racetrack, cars bearing the famous three-pointed star have put their performance to the test time and time again. In 1900 we delivered the first ever vehicle to bear the name “Mercedes”. It was the first modern motorcar, boasted 35 hp and was, in fact, a racecar. In 1952 the 300 SL, the legendary gullwing model, first saw the light of day – and the checkered flags – at the 24 Hours of Le Mans, the Bern Grand Prix and the Carrera Panamericana.

In 1967 two former Mercedes engineers founded AMG with a simple goal – to design and produce the world’s best racing engines. In 1971, just four years after launching their dream, the legendary “Red Sow”, a bright-red 300 SEL 6.8 AMG, sped over the finish line, and into the history books, as the champion of its class at the 24 Hours of Spa. Countless victories in many racing series followed – establishing AMG as a force in the racing world.

Now, the engineers at Mercedes-AMG and Mercedes-Benz have joined to develop a sports car for modern times. They chase the dream with the same passion as their predecessors but use technology of the future. The SLS AMG pushes the limits of design and engineering. Mission accomplished. A new legend has been born.

# The SLS AMG

<b>DESIGN</b>	
Exterior	4
Interior	14
Seating comfort	16
Entertainment and Communication	18
<hr/>	
<b>PERFORMANCE</b>	
AMG	20
<hr/>	
<b>AGILITY</b>	
Engine	24
Transmission	26
Handling	28
Weight	30
<hr/>	
<b>SAFETY</b>	32
<hr/>	
<b>COLOURS AND MATERIALS</b>	
Paint	34
Upholstery and Trim	36
<hr/>	
<b>EQUIPMENT</b>	
Wheels	38
Equipment listing	40
<hr/>	
<b>TECHNICAL FEATURES</b>	
Technical data	42
<hr/>	
<b>MERCEDES-BENZ OWNERSHIP</b>	44
<hr/>	
<b>MERCEDES-BENZ WEBSITE</b>	45
<hr/>	







## How much happiness can one second accommodate?

The SLS AMG was uncompromising even when it only existed in our engineers' and designers' minds. They had just one specification to adhere to: let your automotive fantasies run wild. The result is a supercar with technology from the world of motorsports, a unique design and above all: passion throughout. It's our pleasure to bring it to you. After that, the pleasure is all yours.




## A cockpit. An engine. Two wings. Is it still a car?

Exhilarating, powerful, breathtaking. From the moment the gullwing doors open, your heart can't help but beat faster. Start the engine and your pulse quickens even more. It is automotive design at its purest. Low weight, combined with impressive AMG power and handling, results in superb driving dynamics. Behind the wheel of the SLS AMG you'll find a driving experience unlike any before.







A blurred, high-speed aerial view of a winding road through a landscape. The sky is filled with dramatic, white and blue clouds, and the overall scene has a sense of rapid motion and speed.

Blink and you'll miss it.

The AMG SPEEDSHIFT DCT 7-Speed dual-clutch transmission in the SLS AMG shifts in less than 100 milliseconds – without any interruption to the power delivery. Helping you to get to your destination – or out of sight – faster.



## Ultra-modern thinking. Classic inspiration.

From the moment you set eyes upon the SLS AMG your heart will be taken. Sit inside the cockpit and your opinion of what a car can be will be forever changed. The driver sits low and breathtakingly close to the tarmac. Every twist and every turn is at your command. Driving enjoyment is amplified as road, car and driver become one.





## Two wings make it an icon. The third prevents it from taking off.

There is no mistaking the SLS AMG – the unique gullwing doors signal to the world that they are in the presence of a design legend. That this legend also sets new standards in performance becomes even clearer when the SLS AMG is pushed. As the speedometer reaches 120 km/h the functional rear aerofoil automatically extends, increasing downforce over the rear axle, resulting in greater control and handling during spirited driving. The aerofoil can also be deployed at the touch of a button, so even at a standstill, one can see that the SLS AMG is a serious performance supercar.







A close-up, artistic photograph of the interior of a Mercedes-Benz SLS AMG. The view is from the driver's perspective, looking out through the windshield. The interior features a combination of dark leather and carbon fiber trim. The center console has a prominent gear shifter and handbrake. The dashboard and door panels are visible, showing intricate stitching and metallic accents. The exterior view through the windshield shows a hazy, mountainous landscape under a bright sky, suggesting a high-altitude or coastal setting. The overall color palette is dominated by deep blues and greys, with highlights from the interior lighting and the sun outside.

The anticipation of sitting in it is only eclipsed by a reluctance to get out.

The finest hand-sewn *designo* Nappa leather. Solid metal. Optional Carbon Fibre<sup>1</sup>. Every dial, every knob and every surface communicates exquisite attention to detail and reinforces the handcrafted character of the SLS AMG.

<sup>1</sup>Available as a stand alone option.

A detailed view of the interior of a Mercedes-AMG car. The image shows the front passenger seat and driver's seat, both upholstered in dark leather with white stitching. The driver's seat has a prominent 'AMG' logo on the side. The center console is visible, featuring a gear shifter and handbrake. The dashboard and steering wheel are also visible, with the steering wheel having paddle shifters. The car is parked, and the view through the windows shows a bright, overcast sky.

You'll be taken places even when you're standing still.

Your driving experience begins the moment you settle into the AMG sports seats. Performance-oriented lateral supports hold you firmly in place during spirited cornering while providing excellent long-distance comfort. Clear, precise gauges and an AMG performance steering wheel with paddle shifters at your fingertips ensure every bit of your attention can be focused on the task at hand.



## Sadly, the spectacular sound system will rarely be used.

The distinctive sound of the AMG high-performance engine is a pleasure to listen to at any pitch. However, on the odd occasion that the driver prefers another symphony, the SLS AMG can be optionally fitted with a Bang & Olufsen BeoSound sound system<sup>1</sup> that will pamper even the most discerning listeners. With 1,000 watts and 11 high-performance speakers, this sound system is capable of transforming the cabin into a concert hall with perfect acoustics. The mid-dash mounted COMAND APS Navigation System will set the correct course, though getting lost would provide an opportunity for more time behind the wheel.

<sup>1</sup>Available as a stand alone option.







## 42 years of AMG in two minutes.

High speeds are AMG's special passion. So naturally, here are the most important facts about the company, delivered quickly.

AMG was founded in 1967 as a two-man engineering firm that built racing engines. The company's first breakthrough came a mere four years later with a class victory at the 24 Hours of Spa. Today, Mercedes-AMG employs nearly a thousand people and is the official performance division of Mercedes-Benz. AMG imparts the same unrelenting focus on performance to a selection of exclusive high-performance vehicles, including bespoke models, which are manufactured in accordance with individual customer requirements.



D S LS 6397



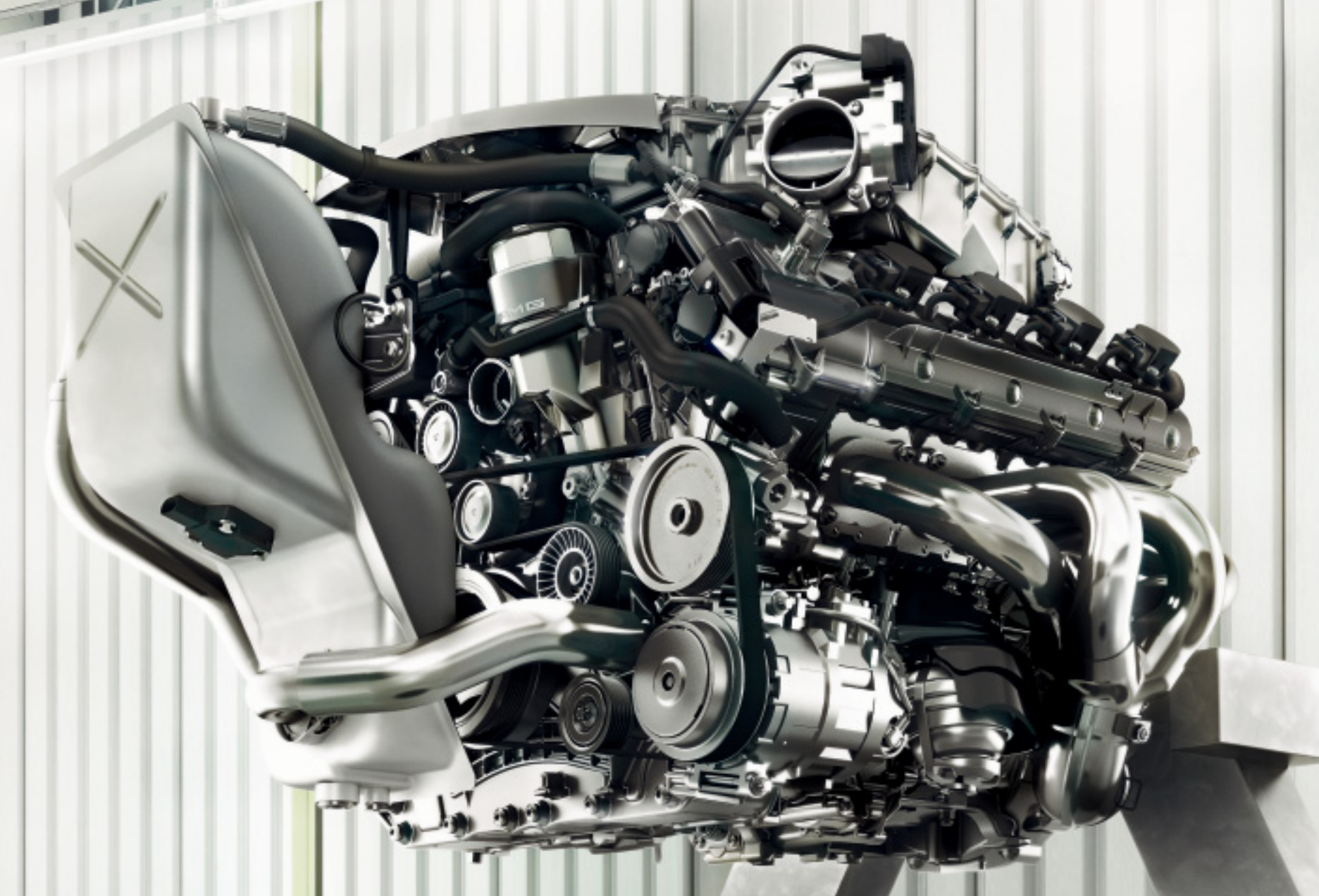


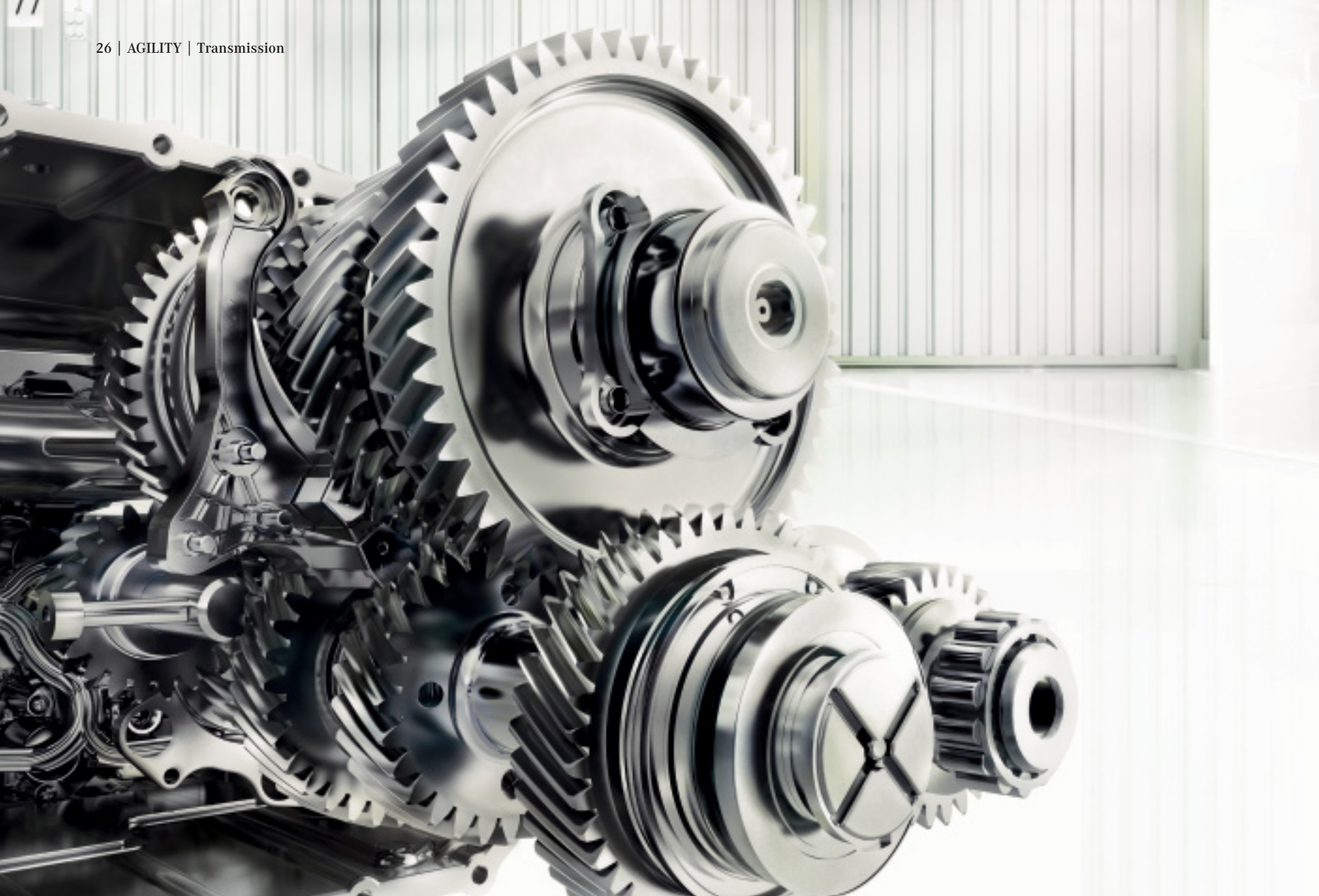
A blank page and their imagination. This is what our engineers started with.

As the first car designed completely in-house by AMG, the SLS AMG provided our engineers with the opportunity of a lifetime – to create a sports car unlike anything ever before. The only limit was their imagination. The result is a revolutionary vehicle where every detail has been designed with driving dynamics in mind. The high-performance AMG engine, just 205 kg when dry, was installed behind the front axle in a front mid-engine layout – and sits as low as possible. Combine this placement with a transmission mounted on the rear axle in a trans-axle layout and the result is a low center of gravity and near-perfect weight distribution front-to-rear. The body has been constructed around these key components – as an ultra-light yet extraordinarily rigid structure. Pure driving dynamics abound – better than our engineers could ever have imagined.

## Making oil flow sideways and other feats of engineering brilliance.

To achieve a lower center of gravity, SLS AMG designers wished to position the entire engine lower in the chassis. The typical placement of the oil pan, at the bottom of the engine, inhibited this design. Through the innovative use of dry sump lubrication, our engineers were able to achieve their goal. Other technologies proven in the world of motorsport can be found throughout the SLS AMG, such as a newly developed magnesium intake manifold with precisely matched resonance tube lengths for optimum cylinder flow, significantly lighter forged pistons, and a rigid valve train that improves power and torque output. The numbers are impressive: 6.2-litre V-8, 563 hp, 479 lb-ft torque, acceleration from 0 to 100 km/h in 3.8 seconds, and a top speed of 317 km/h.







## Giving new meaning to clutch performer.

Power without control is useless. The new AMG SPEEDSHIFT DCT 7-speed sports transmission with an integral rear axle differential lock is a revelation. The dual-clutch transmission's design principle comes from the world of motorsport: two automated dividing gears, each with its own clutch. When changing gears, one clutch closes while the other opens simultaneously. The result is absolutely no interruption of power delivery during shifting. And all this happens in less than a hundred milliseconds. Choose from four transmission modes: Controlled Efficiency (C), Sport (S), Sport plus (S+) and Manual (M). The RACE START function facilitates maximum acceleration from standstill. So, if you should ever find yourself unable to resist a racetrack, there's plenty of scope for challenging the laws of physics.



## You grab hold of the road. And vice versa.

Aluminium, steel and motorsport know-how – these are the components that make the SLS AMG's suspension so uncompromising. Our engineers employed a racing-inspired dual wishbone suspension with independent wheel and spring locations. These are all tuned to considerably increase camber and track-holding rigidity. The long wheelbase ensures superior straight-line stability and the wide-track width gives even more grip on bends. All in all: you can feel every wondrous second of your journey. The rear aerofoil will automatically extend when accelerating past 120 km/h to improve downforce even more. And for the competition driver, you can select the optional AMG Performance Suspension<sup>1</sup> with even tauter tuning of springs and dampers that add up to optimized lateral dynamics.

<sup>1</sup>Available as a stand alone option. Intended for competition/track use only.



6

7

## Why you win when we lose.

Less is not more – it's faster. Less weight means quicker acceleration and shorter braking distances. To achieve the lowest weight possible, the designers utilized aluminium extensively in all parts of the SLS AMG. The entire aluminium space frame weighs a mere 241 kg, resulting in a lightweight yet incredibly rigid vehicle. Steel is utilized where occupant safety is paramount but it amounts to a mere four percent of the bodysell. Anyone wishing to reduce weight further can add optional extras like ceramic brake discs<sup>1,2</sup>, or forged wheels<sup>1</sup>.

<sup>1</sup>Available as a stand alone option. <sup>2</sup>Intended for competition/track use only.





6





## High performance is our goal when it comes to safety.

The three-pointed star on the SLS AMG's grille is a sure sign that any weight-reducing measure doesn't come at the expense of our hallmark Mercedes-Benz safety. Our safety concept is based around the stable aluminium space frame reinforced with steel where occupant safety demands. Other innovations add to the high level of safety enjoyed by the driver and passenger. Passive safety devices include belt tensioners, belt force limiters and no less than eight airbags – driver and passenger airbags, driver and passenger knee airbags, side airbags and side curtain airbags. There are also numerous active safety systems, like the three-stage Electronic Stability Program (ESP®) and Brake Assist System (BAS) to help avoid accidents before they occur.



	<b>designo EXCLUSIVE LEATHER (Single-Tone)</b>				<b>designo EXCLUSIVE LEATHER (Two-Tone)</b>				<b>designo NATURAL WOVEN LEATHER</b>
	Black	Classic Red	Sand	Porcelain	Classic Red / Black	Sand / Black	Porcelain / Black	Mid-Brown	
<b>METALLIC PAINT</b>									
Obsidian Black	●	●	●	●	●	●	●	●	
Iridium Silver	●	●	○	○	●	○	○	●	
<b>AMG PAINT</b>									
Monza Grey MAGNO	●	●	○	○	●	○	○	○	
ALUBEAM	●	●	○	○	●	○	○	○	
Le Mans Red	●	○	●	●	○	●	●	●	
Imola Grey	●	●	○	○	●	○	○	○	
Daytona Blue	●	○	●	○	○	●	○	●	
<b>designo PAINT</b>									
Allanite Grey MAGNO	●	●	○	○	●	○	○	○	
Mystic White 2	●	●	●	●	●	●	●	●	

● Recommended combination ○ Possible combination

## Nine ways to induce instant envy.

Now, perhaps the toughest decision you will have to make regarding your SLS AMG: which of the nine exquisite paint colours will you choose? Will it be one of our two standard metallic paints: Obsidian Black or Iridium Silver? Or, as an optional extra, you can choose between two matte finish paints or five other exciting shades. Our racing heritage is remembered with four of our AMG paints named after the most famous race tracks in motorsport history – Monza, Le Mans, Imola and Daytona.

**METALLIC PAINT**



Obsidian Black

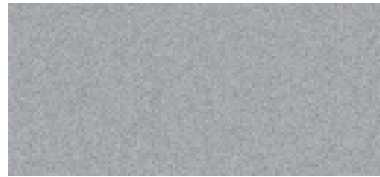


Iridium Silver

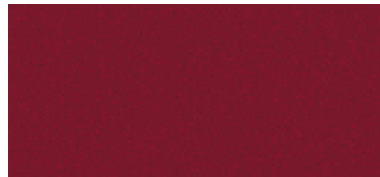
**AMG PAINT**



Monza Grey MAGNO



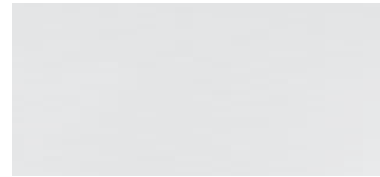
ALUBEAM



Le Mans Red

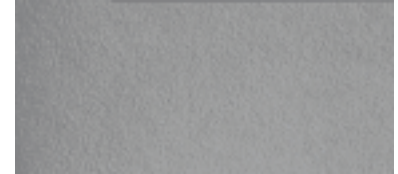


Imola Grey

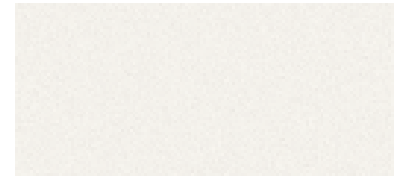


Daytona Blue

***designo* PAINT**



Allanite Grey MAGNO



Mystic White 2



## Performance isn't the only reason you'll want to stay in the driver's seat.

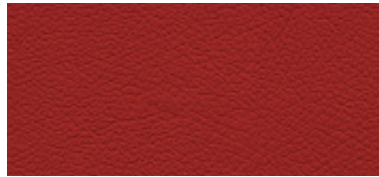
The AMG sports seats' backrests are made of high-strength magnesium with outstanding lateral support. The deeply contoured side bolsters are even more appreciated when driving becomes more aggressive. Craftsmanship and love of detail can not only be seen, but also felt on the exterior of the seats as well. This is true with a choice of standard *designo* exclusive leathers which are available in single or two-tone<sup>1</sup> variants, as well as in natural leather<sup>1</sup> with a woven leather insert. This difficult decision is one that should not be raced.

<sup>1</sup>Available as a stand alone option.

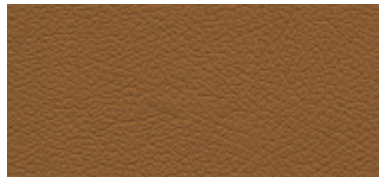
*designo*  
**EXCLUSIVE LEATHER  
(Single-Tone)**



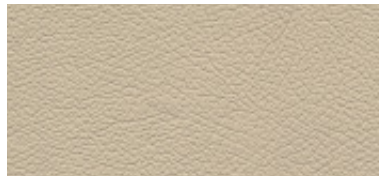
501 Black



507 Classic Red



505 Sand

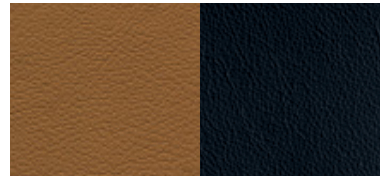


515 Porcelain

*designo*  
**EXCLUSIVE LEATHER  
(Two-Tone)**



557 Classic Red / Black



555 Sand / Black



565 Porcelain / Black

*designo*  
**NATURAL WOVEN LEATHER**



204 Mid-Brown







Twin 5-spoke AMG light-alloy wheels



7-spoke AMG light-alloy wheels<sup>1</sup>



10-spoke AMG forged wheels<sup>1</sup>

## Unfortunately, you can only wear one set at a time.

Equipped with specially developed tires, the SLS AMG is available with **three different wheel designs**. High-shine twin 5-spoke AMG light-alloy wheels are fitted as standard. Optional, are 7-spoke AMG light-alloy high-shine wheels<sup>1</sup> or the weight-optimized, polished 10-spoke AMG forged wheels<sup>1</sup>. Every wheel brings its own interpretation of the supersport theme, but what is common is the view of the large AMG high-performance compound brake system<sup>2</sup>. It is one sight that'll stop you in more ways than one.

<sup>1</sup>Available as a stand alone option. <sup>2</sup>Standard setup. Vehicle with yellow calipers shows optional carbon ceramic system.

**INDIVIDUAL EQUIPMENT (SELECTION)**

**TRANSMISSION**

AMG SPEEDSHIFT DCT 7-Speed dual clutch transmission

**TRACTION/STABILITY**

Acceleration Skid Control (ASR)

Anti-Lock Braking System (ABS)

Brake Assist (BAS)

Electronic Stability Program (ESP®)

Limited-slip differential

**AUDIO/VISUAL/COMMUNICATION**

COMAND APS with HDD navigation & DVD changer  
(Includes LINGUATRONIC voice control for navigation, audio and phone)

Media interface (with iPod, USB and auxiliary connections)

SIRIUS Satellite Radio<sup>1</sup>

Anti-theft alarm system

Rear-view camera

**EXTERIOR**

Gullwing doors

Metallic paint (Obsidian Black, Iridium Silver)

AMG 19"/20" mixed twin 5-spoke wheels  
(performance tires: 265/35 R 19 front, 295/30 R 20 rear)

Bi-Xenon headlamps with washers

LED daytime running lights

Exterior power folding mirrors with LED indicators

Twin exhaust pipes

Tinted glass

**INDIVIDUAL EQUIPMENT (SELECTION)**

**INTERIOR**

Heated seats

AMG aluminium trim

AMG floor mats

*designo* exclusive leather upholstery

Alcantara roof liner

Leather-wrapped multi-function steering wheel

Shift paddles

THERMOTRONIC automatic climate control

Auto-dimming mirrors (rearview & driver's side)

Centre armrest with storage compartment

Power tilt & telescoping steering column

Power windows with express up & down

**CONVENIENCE**

**PARKTRONIC**

SmartKey with panic button

Integrated garage door opener

Rain sensing windshield wipers

Outside temperature display

Cruise control

KEYLESS-GO

**INDIVIDUAL EQUIPMENT (SELECTION)****SAFETY**

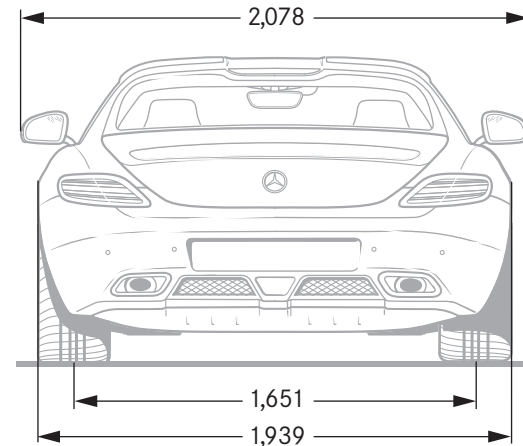
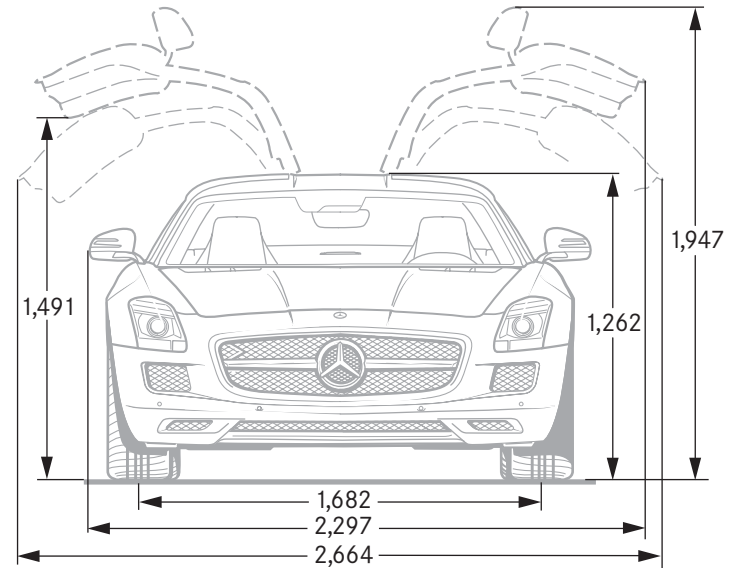
Brake pad wear indicator
Dual-stage front airbags
Head/thorax airbags
Side airbags
Knee airbags (driver and passenger)
Seatbelt tensioners with belt force limiters
Automatic headlamp activation
Tire pressure monitoring system

**OPTIONAL EQUIPMENT**

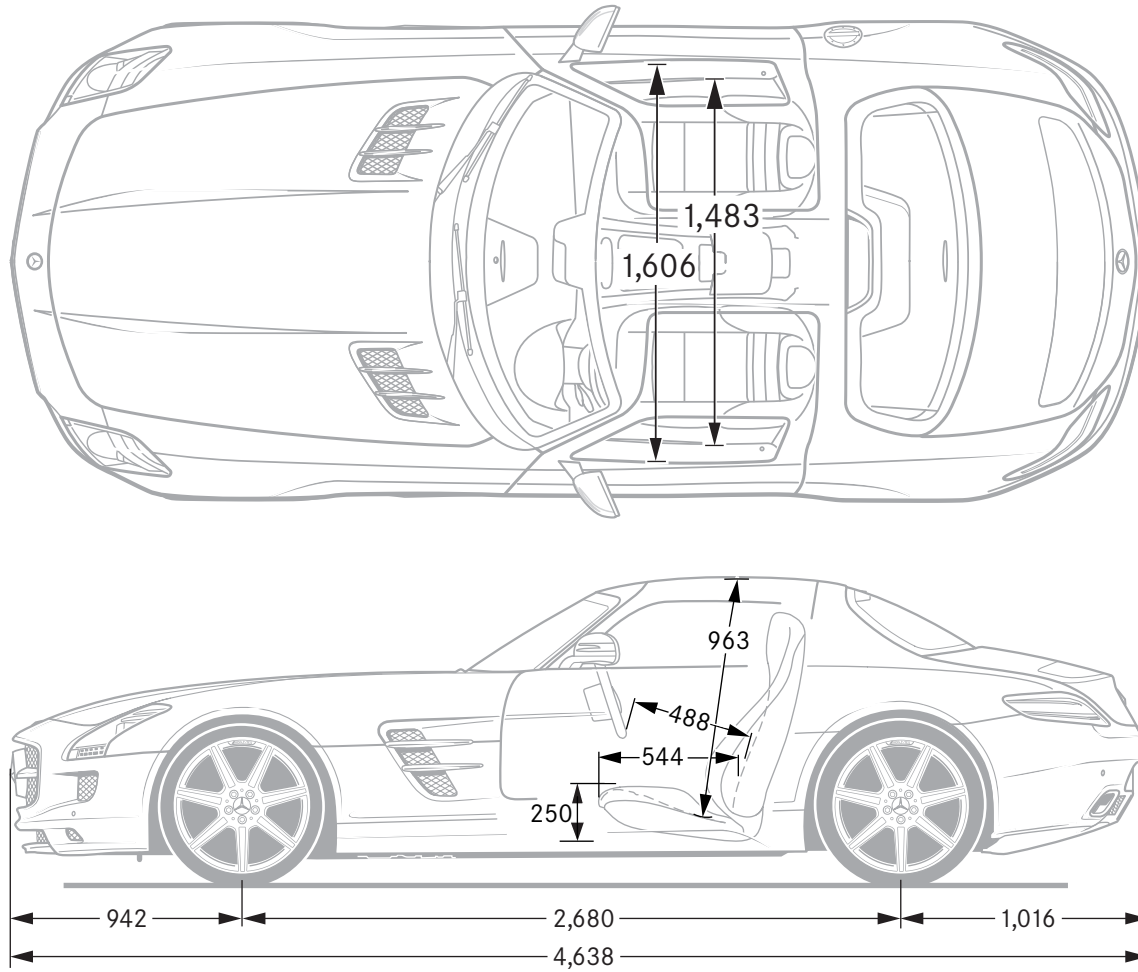
<i>designo</i> ALUBEAM paint
<i>designo</i> Mystic White 2 paint
<i>designo</i> MAGNO / AMG MAGNO paint
AMG paint (Daytona Blue, Imola Grey, Le Mans Red)
Mid-Brown natural leather upholstery
Two-tone leather upholstery
7-spoke AMG light-alloy wheels
10-spoke AMG forged wheels
Bang & Olufsen performance surround sound system
AMG performance steering wheel finished in leather & alcantara
AMG performance suspension <sup>2</sup>
AMG Carbon-Ceramic performance brake system <sup>2</sup>
AMG Carbon Fibre trim
AMG exterior Carbon trim <sup>3,4</sup>
AMG extended interior Carbon Fibre trim <sup>4,5</sup>
AMG Carbon Fibre engine compartment cover <sup>4</sup>

<sup>1</sup>© 2010 SIRIUS Satellite Radio Inc. "SIRIUS", the SIRIUS dog logo and related marks are trademarks of SIRIUS Satellite Radio Inc. Complimentary 6 months of service included. Monthly subscription required for service thereafter. <sup>2</sup>Intended for competition/track use only. <sup>3</sup>Includes Carbon Fibre mirror caps. <sup>4</sup>Only available in conjunction with AMG Carbon Fibre trim. <sup>5</sup>Includes door sills and seatbacks.

Engine type	V-8
Total displacement	6,208-cc
Net power	563 hp @ 6800 rpm
Net torque	479 lb-ft @ 4750 rpm
Acceleration <sup>1</sup> , 0 - 100 km/h	3.8 seconds
Approximate top speed	317 km/h
Transmission	AMG SPEEDSHIFT DCT 7-Speed dual clutch
Tires,	
Front	265/35 R 19
Rear	295/30 R 20
Fuel tank capacity	85 litres with 14 litre reserve
Fuel requirement	Premium gasoline
Fuel economy <sup>2</sup> , city/highway estimate	15.6-10.3 L/100 km (13.3 L/100 km combined)
<b>DIMENSIONS<sup>3</sup></b>	
Wheelbase	105.5 in/2,680 mm
Overall length	182.6 in/4,638 mm
Overall height	49.7 in/1,262 mm
Overall width including mirrors	76.3 in/1,939 mm
Curb weight	1,620 kg
Cargo capacity	176 litres



<sup>1</sup>Stated rate of acceleration is based upon the manufacturer's track results and may vary depending upon model, environmental and road surface conditions, driving style, elevation and vehicle load. <sup>2</sup>These estimates are based on Transport Canada testing methods. The actual fuel consumption of this vehicle may vary. Refer to the *Fuel Consumption Guide*. <sup>3</sup>Dimensions shown are for vehicle with standard equipment.



## A passion for things done right.

It's what you expect from Mercedes-Benz. A passion for craftsmanship and attention to detail is what sets Mercedes-Benz apart from all other manufacturers. This passion drives us to set new standards in design, performance, comfort and safety. To continually build on the legendary traditions of Mercedes-Benz, and to provide you with an ownership experience unlike any other, including the valuable benefits described below.

### **24-hour Roadside Assistance**

During the basic warranty coverage of 48 months and the time duration of the optional Extended Limited Warranty, Mercedes-Benz Roadside Assistance will be at your service. We'll bring you some gas, replace a flat tire with your spare, or jumpstart your car. In the event of a mechanical breakdown, if attempts by our Roadside Assistance technician have not made your vehicle safely operable, towing service will be provided to the nearest Mercedes-Benz dealership. Assistance is available 24 hours a day, every day, to anyone driving a Mercedes-Benz anywhere in Canada or the continental U.S.<sup>1</sup>

### **Wear and tear period**

The following parts listed are covered for wear and tear during the first 24 months or 40,000 km, whichever comes first. Brake pads, brake discs, brake pad wear sensors and light bulbs.

### **Mercedes-Benz warranties**

The Mercedes-Benz New Vehicle Limited Warranty covers defects in materials or workmanship for 48 months or 80,000 km, whichever comes first. To widen your window of confidence, you can opt for a Mercedes-Benz Extended Limited Warranty as well.<sup>2</sup>

### **Customer service**

Owning a Mercedes-Benz means that when you have a question, we're here to help. Customer Service is open from 9 a.m. to 5 p.m. EST, Monday through Friday, and is staffed with knowledgeable Mercedes-Benz people who can talk you through the finer points of working your car's audio system – or even assist you in locating the nearest Mercedes-Benz dealership. Just call 1-800-387-0100. It's that simple.

### **Trip interruption reimbursement**

If a breakdown covered by your New Vehicle Limited Warranty or optional Extended Limited Warranty occurs more than 80 km from your home, leaves your Mercedes-Benz vehicle inoperable or unsafe to drive, and requires overnight repairs, we've got you covered. You will be reimbursed up to \$500 for hotel accommodations and up to \$600 for alternative travel expenses per incident while your car is being repaired at an authorized Mercedes-Benz dealership.

<sup>1</sup>Vehicle must be accessible from main roads. Roadside Assistance may involve charges for parts, service and towing. Depending on the circumstances, these services may be provided by an outside service provider, courtesy of Mercedes-Benz Roadside Assistance. For full details of the Roadside Assistance Program, please see your dealer. <sup>2</sup>Please see your dealer for warranty details as well as for terms, conditions and pricing for extended warranty options.



There's virtually so much more.

Visit [www.mercedes-benz.ca](http://www.mercedes-benz.ca) and open an online window to Mercedes-Benz Canada. Revel in the incredible photography of our vehicles and get a visceral impression of what it would be like to see yourself behind the wheel. Obtain information about any of our vehicles, including financing and leasing options, upcoming models, and how to configure your own Mercedes-Benz online. Our website also offers details about the Mercedes-Benz Extended Limited Warranty, vehicle ownership, and much more on the fascinating story behind one of the world's most recognizable brands.

© 2010 Mercedes-Benz Canada Inc.

All illustrations and specifications contained in this brochure are based on the latest product information available at the time of publication. Mercedes-Benz Canada reserves the right to make changes at any time, without notice, in colours, materials, equipment and specifications. Any inaccuracies in colours shown are due to reproduction variations of the printing process. Vehicle may be shown with non-Canadian equipment. Vehicle may be shown with optional equipment available at extra cost. For current information regarding standard features, optional equipment and/or colours available in Canada and their pricing, contact your nearest authorized Mercedes-Benz dealer or visit [www.mercedes-benz.ca](http://www.mercedes-benz.ca). Bang & Olufsen and BeoSound are registered trademarks of Bang & Olufsen. All rights reserved. iPod is a registered trademark of Apple Computer, Inc.

Printed in Canada  
MBC-10-SLS11-9950E

Mercedes-Benz Canada Inc. 98 Vanderhoof Avenue, Toronto, Ontario M4G 4C9  
1-800-387-0100

[www.mercedes-benz.ca](http://www.mercedes-benz.ca)

