



GL-Class

Mercedes-Benz



is omnipresent. The lines of the GL-Class are as extraordinary as they are familiar. A journey in the GL-Class makes you feel on top of the world, and that's where the quality is concerned, the design, the flexibility. It is only when you touch it that you realize how impressive and reassuring at the same time. When you enter the vehicle you feel safe at its exterior: you feel completely safe. Whether you're on the road or off it - if you're taking off on a long journey with mountains of luggage or planning a double portion of it: in the form of one BlueTEC and one BlueEFFICIENCY. Performance, style, off-road capability? **Luxury taken to a new dimension.** For the GL-Class, the beaten track. But its job is always the same: to take you to your destination in

Mercedes-Benz

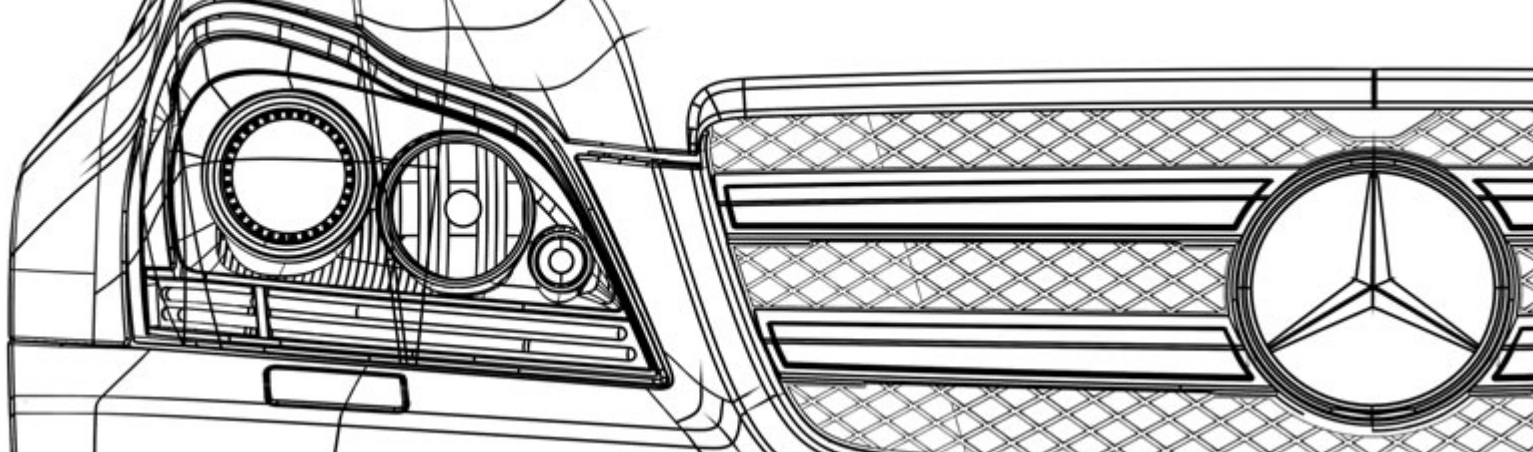


Inspired

The new GL-Class combines freedom with luxury, power with elegance and size with a sense of responsibility. This makes the GL-Class a symbol of good style in every respect. A selection of economical and low-emission engines underlines its strong character. High-quality materials and high-shine chrome trim adorn a vehicle that is difficult to beat where size and flexibility are concerned. The GL-Class – a vehicle that takes luxury to a new dimension.

At a glance | from page 4, Insight | from page 26

GL-Class



Facts

Comfort-oriented driving pleasure: engines, transmissions, AIRMATIC air suspension, Direct-Steer system, Adaptive Damping System ADS, all-wheel-drive system 4MATIC and the Off-Road Pro Engineering package.

Drive system & chassis | from page 36

Protection from starting point to destination: state-of-the-art technology for safe driving and the right response in the event of danger or an accident.

Safety | from page 50

Experience comfort on any terrain: ambient lighting, assistance systems, seating comfort and spaciousness, plus navigation and audio systems.

Comfort | from page 54

GL-Class individuality: paintwork, upholstery and trim parts, standard equipment and optional extras, wheels and genuine accessories.


Equipment & appointments | from page 62

To be precise: technical data and dimensions.

Facts & figures | from page 78

Hallmark Mercedes-Benz customer service: experience Mercedes-Benz at first hand, Mercedes-Benz Museum, MercedesCard, Mercedes-Benz mobility, Mercedes-Benz Bank and test drive.


Services | from page 81



A cross-country vehicle with a feel for exclusivity: everything gleams, chrome is omnipresent. The lines of the GL-Class are as extraordinary as they are familiar. And its gaze is confidently focused on what lies ahead: on a world waiting to be discovered.

Pampers the senses,
sharpens your awareness





Takes your breath away,
enriches your life



Makes wishes come true,
fans your desire





You feel on top of the world when you're out driving in the GL-Class – not just because of its size. It's the certainty that you've made the perfect choice – the quality, the design, the flexibility. It's only when you get out that this feeling changes: to one of anticipation.

Sets your heart racing,
calms you down

The sheer size of the GL-Class is both impressive and reassuring at the same time. When you enter it you receive instant confirmation of what you had already suspected from its exterior: you feel totally safe. Whether you're on the road or off it – the GL-Class takes care of you.

→ Page 50–53









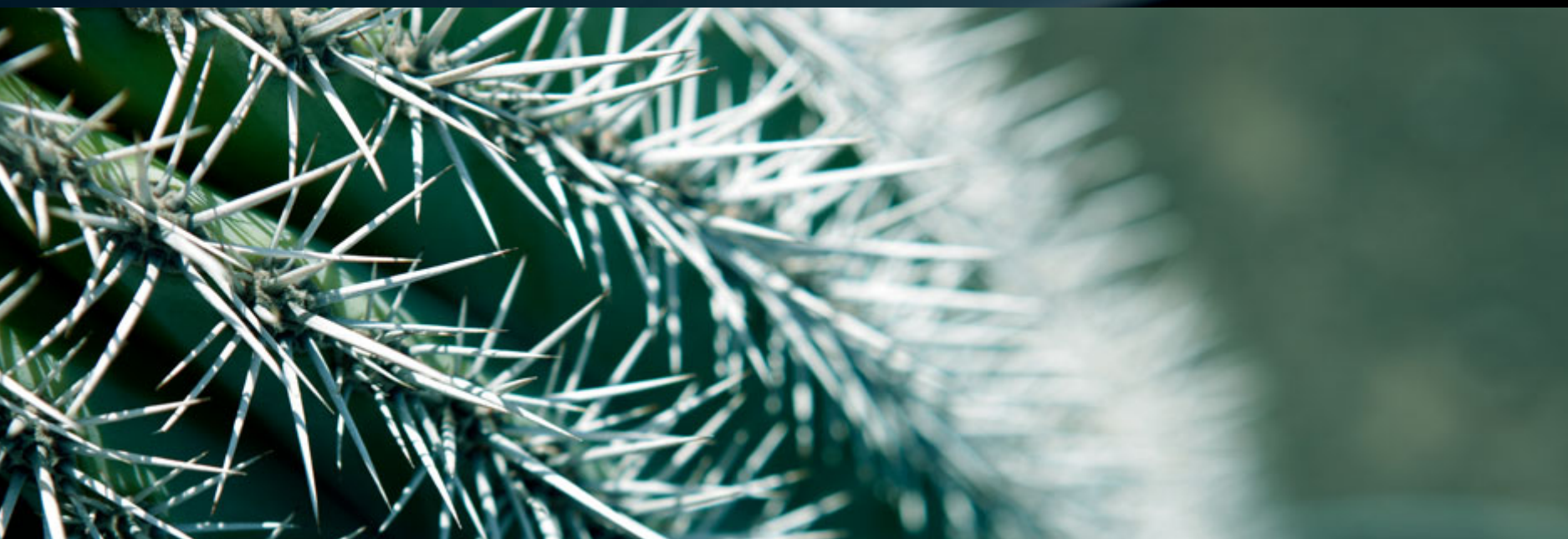
A close-up, rear-quarter view of a silver SUV. The car is parked on a dark asphalt surface. In the background, there is a small, spiky cactus. The car's rear light assembly is visible, along with the rear window and a circular fuel filler door. The overall lighting is dramatic, with strong highlights and deep shadows.

Gives you freedom of movement,
makes a declaration of independence

The GL-Class just loves being generous; there's a place for everything and everyone in its interior. Taking off on a long journey with mountains of luggage or planning an outing with the whole family - the GL-Class is the definition of freedom. → Page 60, 61



BLUETEC







A landscape scene featuring a paved road in the foreground, a stone wall with a white rectangular opening in the middle ground, and a bright sun low on the horizon behind a mountain range. Several cacti are visible on the left side of the wall. The sky is clear and bright.

Avoids risks,
loves a challenge



Demonstrates its strength
shows respect

Size brings with it responsibility. And here the GL-Class impresses on two counts - with one BlueEFFICIENCY model and one BlueTEC model featuring in the line-up. Both models boast low emissions and low consumption. Showing nature the respect it deserves. → Page 36 - 41



A landscape photograph featuring a bright sun in the center, creating a lens flare effect. The sun is positioned between two mountain peaks. The foreground is dominated by dark, jagged volcanic rocks. In the middle ground, there is a dense forest of green trees. To the right, a body of water reflects the light. The overall scene is bathed in a warm, golden light.

Embellishes the road,
paves the way





Knows no bounds,
expands the horizon

Elegance, style, off-road capability? The GL-Class is no ordinary off-roader. A stylish companion about town, a real go-getter off the beaten track. But its job is always the same: to take you to your destination in the most luxurious fashion.





In awe of an ore

If truth be told it's really no more than just a piece of ore, a chemical element with the symbol Cr and the atomic number 24, ideal for producing corrosion- and heat-resistant alloys. And yet it is responsible for the ruby's fiery red, for the bright yellow of van Gogh's famous sunflowers and for the pounding heart of many a motoring enthusiast: chromium.


The mere word recalls memories of those luxurious road cruisers of the 1950s, of glitz and glamour. And to this day it has lost none of its fascination. Perhaps this can be explained by what it actually means: because it was so colourful, chrome was named after the Greek word for colour. And it's certainly true that chrome is versatile and always appears very vivid, it's strong, sets trends and thrives on contrasts. Just like the GL-Class, in fact, which our designers have adorned with numerous chrome elements.

Sweet Home Alabama



A splendid beaver lodge on the shores of an idyllic lake covered in reeds in Alabama – nothing out of the ordinary, really. Apart from the fact that the beaver is visited every morning by an environmental engineer, the lake is actually a collecting tank for rainwater and that this picturesque location is to be found in the grounds of the Mercedes-Benz plant in Tuscaloosa (USA).

The environmental engineer Scott Bagget might only have seen the beaver itself twice in the last eleven years, but for him the very presence of this shy animal is of enormous significance. Because it indicates that the water is of excellent quality and at the same time it also represents the high environmental standards at the plant as a whole. So it's not really surprising to learn that this is where they produce off-roaders that don't just come complete with an entire package of measures that provide for optimum consumption; they also boast the cleanest diesel engine in the world: the GL-Class.



Who's going to put the seat in the desired position automatically? Who's going to operate the sliding sunroof, adjust the headlamps so that they illuminate the bend in the road, move the needle on the speedometer? And what about the electronically commutated claw-pole external rotor?

Questions you've probably never asked. And yet there's a very good answer to them. Or, to be precise, there are as many as 150 good answers. Because that's how many electric motors there are to take care of all the things you can take for granted in the GL-Class, making every journey so pleasant and safe. Incidentally, an "electronically commutated claw-pole external rotor" helps to achieve perfect climate control. And it's precisely when you don't even notice that it's going about its job that it's performing sterling service. What you do remember is, quite simply: an extraordinarily good journey.

Always at your service





C BlueEFFICIENCY rated output 165/3800 kW at rpm top speed 210 km/h
fuel consumption l/100 km front axle 265/60 R 18 rear axle 265/60 R 18 fuel
CO₂ emissions g/km CO₂ emissions g/km combined 244-253/EU 4 tank capacity
240 l max. behind 1st row of seats 2300 l turning circle diameter 12.1 m kerb
weight 2000 kg number of cylinders/arrangement 8/V total displacement 5461 cc GL 5
max. torque 530/2800-4800 Nm at rpm acceleration 0 - 100 km/h 6.5 s fuel p
CO₂ emissions g/km combined 317-322/EU 5 tank capacity 100 l
behind 1st row of seats 2300 l **The facts.** Turning circle diameter 12.1 m kerb
weight 2000 kg number of cylinders/arrangement 6/V total displacement 3000 cc

36 **BlueEFFICIENCY**38 **Diesel engines**

6-cylinder

8-cylinder

40 **Petrol engines**

8-cylinder

42 **Transmissions**

7G-TRONIC

DIRECT SELECT

44 **Chassis & suspension**

Direct-Steer system

AIRMATIC air suspension

Adaptive Damping System ADS

46 **All-wheel drive**

4MATIC, incl. 4ETS

48 **Off-road capability**

Off-Road Pro Engineering package

50 **Safe driving**

ESP®, incl. trailer stabilisation

DISTRONIC

Blind Spot Assist

Intelligent Light System with

LED daytime driving lights

52 **In the event of danger or an accident**

PRE-SAFE® system

Seat belts

NECK-PRO head restraints

Airbags

54 **Ambient lighting**55 **Multimedia systems**

Audio 50 APS

COMAND APS

Harman Kardon® Logic 7®

surround sound system

56 **Assistance systems**

PARKTRONIC

Reversing camera

57 **Climate control**

THERMATIC

THERMOTRONIC

58 **Seats**

Multicontour seats

Climatised seats

Memory package

Rear seats

60 **Space**

EASY-PACK system

Load compartment

GL-Class in detail

62 AMG equipment

Light-alloy wheels with wheel-arch flaring

64 Paintwork, upholstery and trim**70 Standard equipment****72 Optional extras****74 Wheels**

Standard wheels

Optional wheels

AMG wheels

incenio designer wheels (accessories)

76 Genuine accessories**78 Technical data****80 Dimensions****81 Services**

Experience Mercedes-Benz at first hand

Mercedes-Benz Museum

MercedesCard

Mercedes-Benz mobility

Mercedes-Benz Bank

Test drive

Interactive owner's manual

Mobile internet

BlueEFFICIENCY – innovations for efficient mobility

We do not pay lip service to protection of the environment. It's a matter close to our hearts. As the inventor of the automobile, Mercedes-Benz has a special responsibility – one we have undertaken with all our might for many years. We can already offer you 66 models that place far less of a burden on the environment – without having to compromise on safety, comfort and driving enjoyment.

Our BlueEFFICIENCY concept comprises innovations for efficient mobility as well as optimised processes all the way along the value chain. They involve different approaches, but they all have a common goal: to make your individual mobility as sustainable as possible.

The BlueEFFICIENCY measures – the Mercedes-Benz efficiency package. The BlueEFFICIENCY measures are comprehensive vehicle optimisations which save fuel and, therefore, ease the burden on the environment.

Each model combines the most efficient engine with optimal aerodynamic and energy-management measures to minimise fuel consumption. Such measures include intelligently controlled ancillaries, tyres with optimised rolling resistance, the ECO start/stop function, lightweight components and an aerodynamically optimised body design. All in all, these measures allow substantial savings to be made: fuel consumption and, therefore, CO₂ emissions are reduced by up to 23 %.



The BlueEFFICIENCY measures bring about a substantial reduction in fuel consumption and CO₂ emissions

BlueTEC – the clean diesel. Mercedes-Benz has brought to market BlueTEC technology for diesel engines based on common-rail direct injection (CDI). It combines optimised combustion with a modular emission-control system, all of which makes BlueTEC an exceptionally clean diesel technology. Not only does it remove up to 95 % of the particulate from the exhaust gases, it also reduces nitrogen oxides by up to 90 %. All that remains is water, harmless nitrogen and the satisfying feeling of having helped to ease the burden on the environment.



BlueTEC filters out up to 95 % of the particulate and converts up to 90 % of the nitrogen oxides into harmless nitrogen

HYBRID – the intelligent combination of petrol and electric drive. A well-established team makes a lot of things easier. And this is certainly true in the case of HYBRID technology. During braking, the electric motor supplies the battery with kinetic energy. When needed, this energy is forwarded to the electric drive, which assists the petrol engine when the car is accelerating. What's more, the ECU shuts off the petrol engine when the speed falls below 15 km/h. In this way, a HYBRID can reduce fuel consumption by up to 20 %. So it looks after the environment as well as your wallet. Perfect teamwork, you might say.



HYBRID technology reduces fuel consumption by up to 20 %

BlueTEC HYBRID – clean diesel combined with electric drive. BlueTEC HYBRID technology marries the benefits of HYBRID technology with those of BlueTEC technology: during braking, the kinetic energy is converted into electrical energy, which can be re-used when required. At the same time, the BlueTEC technology cleans the exhaust gases and removes most of the pollutants.

Innovative drive systems that break new ground. Concept BlueZERO F-CELL, E-CELL and E-CELL PLUS. Mercedes-Benz has developed



BlueTEC HYBRID combines clean diesel technology with electric drive, and is available from 2012

three further drive concepts with an electric motor and a battery for storing energy as part of its close-to-production Concept BlueZERO: E-CELL with electric motor, which only draws its energy from the battery; E-CELL PLUS with a battery and an internal combustion engine (Range Extender); and F-CELL with an additional fuel cell for generating power.

But that is not all: under the banner “Design for Environment”, we also look at a vehicle's entire lifecycle – from planning to recycling. The same applies to the building and running of new factories. In addition, Mercedes-Benz is involved in the development of alternative fuels and carries out research in the field of bionics. In short, BlueEFFICIENCY is good news for both you and the environment.

Further information about our comprehensive measures can be found at:

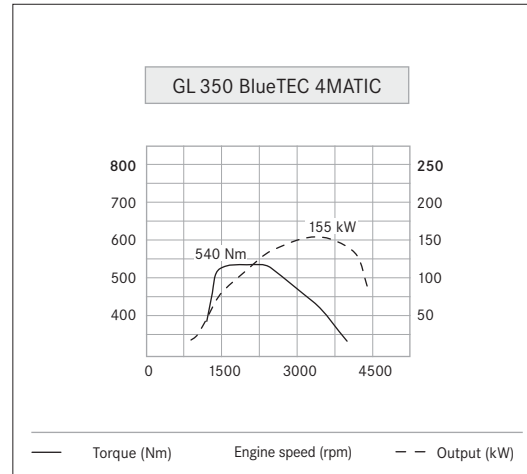
www.mercedes-benz.com/blueefficiency

Diesel engines

Cleaner, more powerful and more economical: the GL-Class comes complete with the latest diesel technology. The powerful and quiet engines impress with their low emission and consumption figures



The 6-cylinder diesel engine has supreme pulling power on tap in every driving situation

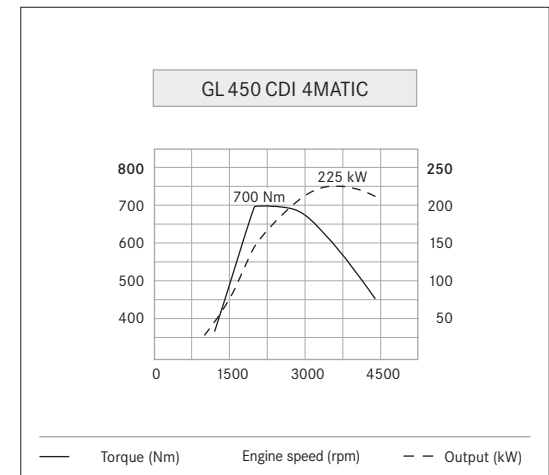


The GL 350 BlueTEC 4MATIC achieves its maximum torque of 540 Nm as early as between 1600 and 2400 rpm

6-cylinder diesel engines. The enhanced BlueTEC technology in the new GL 350 BlueTEC 4MATIC developing 155 kW boasts particularly low emissions and already undercuts the emissions standards of tomorrow (EU 6). The BlueTEC catalytic converter technology facilitates the cleaning and aftertreatment of exhaust emissions, making the compression ignition engine the cleanest diesel drive system anywhere in the world at present. Model emission figures, low consumption combined with effortlessly superior performance and a high torque of 540 Nm – the new GL 350 BlueTEC 4MATIC sets a good example to others.

With a lightweight design and equipped with common-rail technology: the GL 350 CDI 4MATIC BlueEFFICIENCY with 165 kW. It is the proud owner of a powerful, low-consumption V6 diesel engine. It achieves supreme pulling power with precise, fast piezo injectors, a high injection pressure and a maximum torque of 510 Nm as early as between 1600 and 2800 rpm.

8-cylinder diesel engine. It's not just its output values – a maximum torque of 700 Nm and a rated output of 225 kW as early as 3600 rpm – that grant this powerplant benchmark status in the world of diesel technology. Optimised flow conditions in its air cooling and intercooling as well as in the cylinder head's intake ducts, combined with a new exhaust gas turbocharger, mean increased efficiency coupled with superb smoothness. All diesel vehicles are fitted with a particulate filter as standard, significantly reducing particulate emissions.



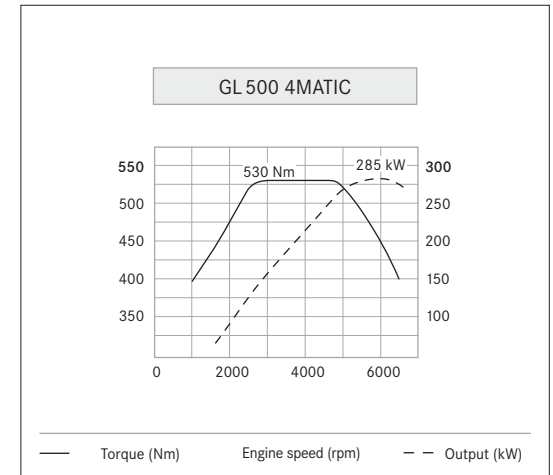
The GL 450 CDI 4MATIC delivers its maximum torque of 700 Nm between just 2000 and 2600 rpm

Petrol engines

There are two powerful petrol engines to choose from for the GL-Class. It goes without saying that they are environmentally compatible, in keeping with these eco-aware times

8-cylinder petrol engines. Effortless superiority and smooth running characteristics are the major strengths displayed by the V8 engines. Responsible for the high performance potential – that goes hand in hand with lower consumption and reduced emissions – are the lightweight-design materials such as magnesium, which are also used in the world of motorsport, and the optimised air supply plus four valves per cylinder. This is how the GL 450 4MATIC achieves 250 kW with a maximum torque of 460 Nm. The range of engines for the GL-Class is headed by the GL 500 4MATIC. The 8-cylinder unit with

285 kW develops a maximum torque of 530 Nm, which is available over a wide range of 2800 to 4800 rpm. The GL 500 4MATIC accelerates from 0 to 100 km/h in 6.5 seconds and reaches a top speed of 240 km/h. The lightweight construction consisting of aluminium and forged steel works together with special shifting camshafts which optimise the gas cycle in the engine. This results in improved smoothness and higher torque, particularly in the mid engine-speed range. Both petrol engines also meet the tighter EU 5 limits regarding consumption and emissions.



Full power ahead: the GL 500 4MATIC achieves a maximum torque of 530 Nm between 2800 and 4800 rpm



The V8 engine in the GL 500 4MATIC is among the most powerful in its displacement class with comparatively frugal consumption

Transmissions

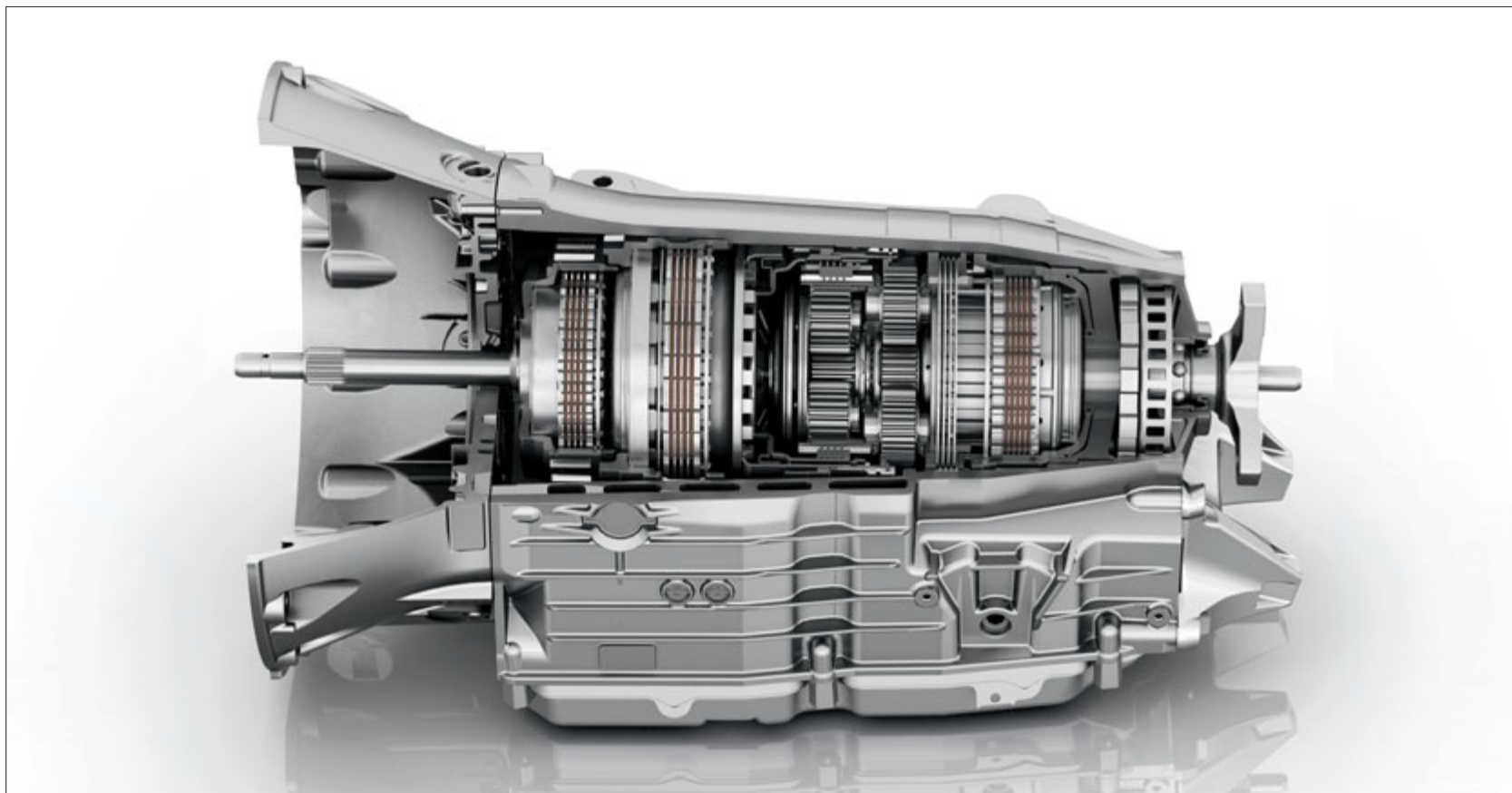
The intelligent automatic transmission 7G-TRONIC constantly adapts to meet the requirements of the current driving situation and the individual driving style of whoever is at the wheel

7G-TRONIC. The GL-Class comes as standard with the 7G-TRONIC 7-speed automatic transmission. It is operated via the DIRECT SELECT lever on the steering column. The seven forward gears in the 7G-TRONIC allow an ideally adapted engine speed at all times, thus cutting fuel consumption, while the shorter shift times and smoother shifts make gear changes easier as well as reducing the noise level. Driving enjoyment is also enhanced: the car benefits from better acceleration and boasts more pulling power. What's more, gears can be skipped for fast in-gear acceleration. Manual shifting is also possible – via the shift paddles on the steering wheel.

DIRECT SELECT. The conventional automatic selector lever in the centre console is replaced by the intuitively operated DIRECT SELECT selector lever on the steering column. The driver can use it to set the automatic transmission positions P, N, R and D simply by giving it a light tap. The function commands are then transmitted wholly electronically. Additional steering-wheel gearshift paddles also facilitate manual pre-selection of the seven gears, so drivers can decide whether they want to change gear themselves using the steering-wheel shift paddles or whether they prefer this to be taken care of automatically.



DIRECT SELECT steering-wheel shift paddles and selector lever

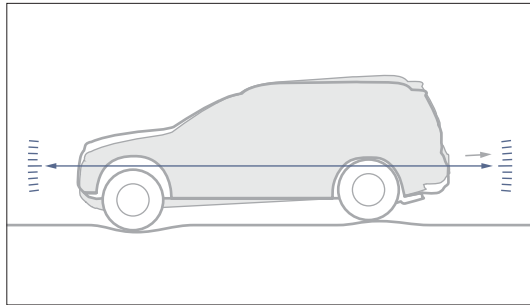


The 7G-TRONIC: one of over eleven million automatic transmissions produced in a period spanning more than 40 years

Chassis and suspension

The AIRMATIC air suspension and the Adaptive Damping System ADS really come into their own on the road, offering a high level of comfort as well as impressive agility

Direct-Steer system (standard). The Direct-Steer system has a more direct ratio and reduces the steering effort required in the case of large steering angles, for example when parking or taking tight bends, thus enhancing the car's agility and making steering more comfortable.



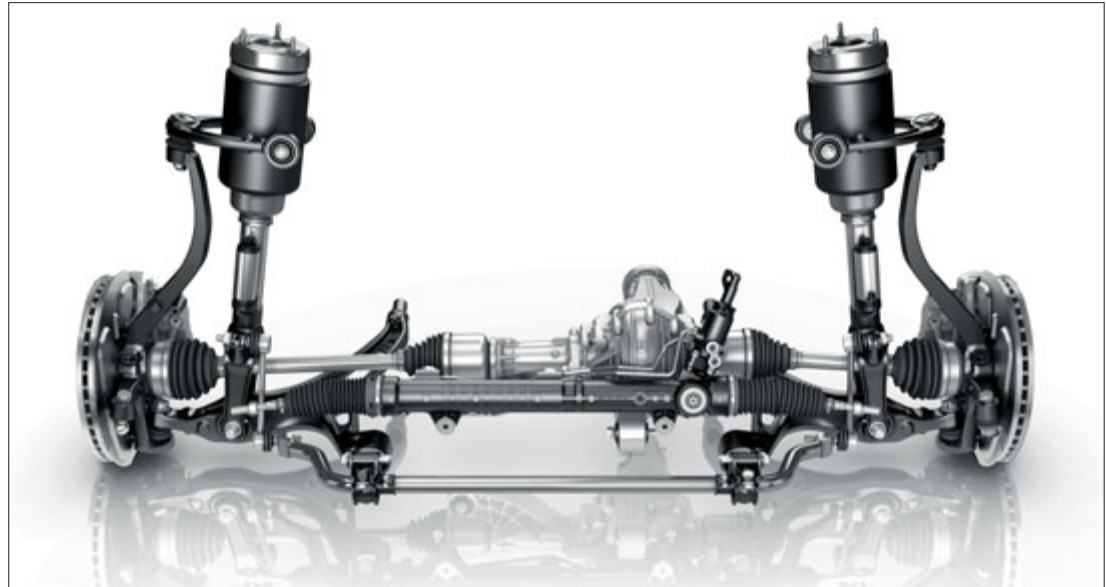
Ground clearance remains constant, irrespective of the load, thanks to the air suspension

AIRMATIC air suspension (standard). The AIRMATIC air suspension with its adaptive shock absorbers adjusts itself to suit the prevailing road conditions, load and driving situation. Thanks to its all-round self-levelling ability, the ground clearance always remains constant, irrespective of the load, so AIRMATIC offers a high standard of comfort on the road, coupled with increased driving stability. Off the beaten track the full air suspension with additional vehicle-level adjustment also boosts the off-road capability of the GL-Class. If necessary the vehicle also switches over to stiffer settings of its own accord, and the vehicle height can be regulated at the mere touch of a button. The body can be raised or lowered

at any time when the engine is running – either automatically or by pressing a button. The system operates according to speed and lowers the body by 15 millimetres at both axles automatically at speeds above 120 km/h. This reduces air resistance and increases driving stability. Below 40 km/h the car's body is raised to its normal level again.

Adaptive Damping System ADS (standard). The Adaptive Damping System ADS changes the way in which the shock absorbers work, taking into account the condition of the road, driving style and load. During a normal journey the system works with soft basic damping but reacts within just 50 milliseconds to increased driving dynamics

(such as a sudden evasive manoeuvre or braking), so as to adjust the damping force for each individual wheel. The current driving situation is established using a steering angle sensor, three acceleration sensors on the body, the speedometer signal, the ESP® data and the signal from the brake pedal switch. On the basis of this information the electronic control unit determines the best damping effect for each case, and the driver can also influence the damping force by pressing a button in the centre console: the programs “Auto”, “Sport” and “Comfort” are available for selection.



The Adaptive Damping System ADS controls the effect of the shock absorbers

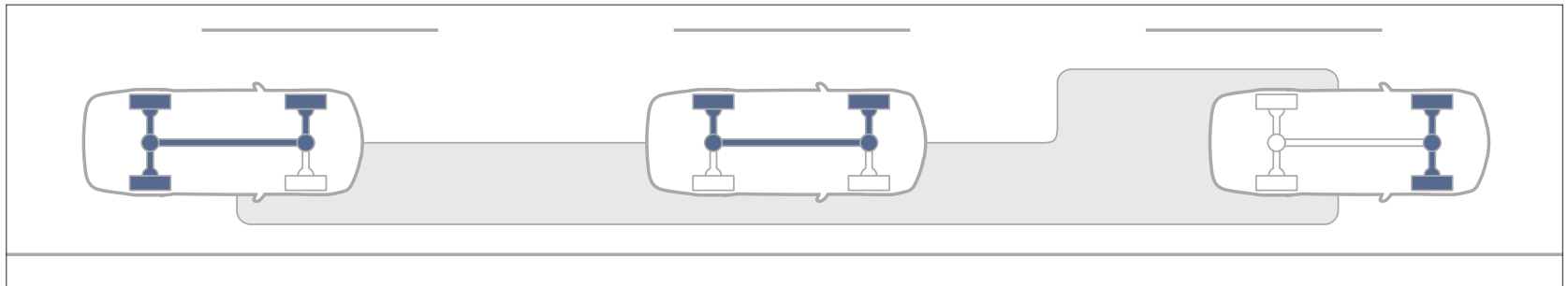
All-wheel drive

The all-wheel-drive system 4MATIC offers the best possible traction and increases driving stability – even when road conditions are poor

The all-wheel-drive system 4MATIC, incl. 4ETS (standard). As 4MATIC is always active, it responds instantaneously in poor weather conditions such as rain, black ice or snow. 4MATIC is assisted by the Electronic Stability Program ESP® and the electronic traction system 4ETS

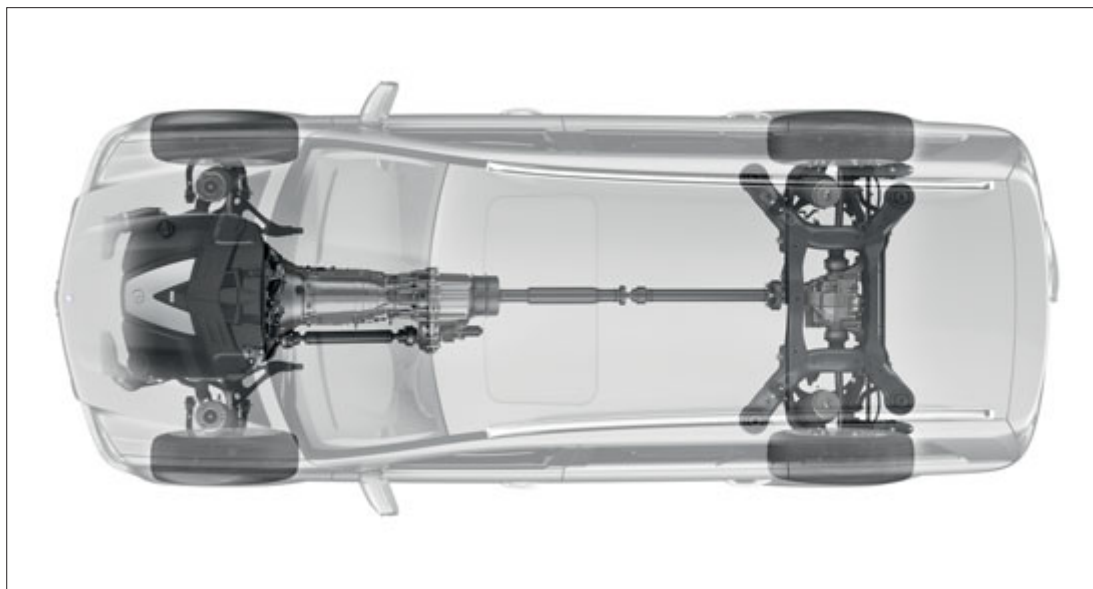
with integral ABS and ASR functions which provide additional support for the all-wheel drive. 4ETS enables controlled braking of spinning wheels and, as a consequence, increases the drive torque at the wheels offering good traction, allowing plenty of power to be planted on the

road when moving off and when accelerating, especially on poor road surfaces. 4MATIC makes conventional differential locks superfluous: the automatic braking pulses make it easier to move off on slippery ground as well as enhancing stability during critical manoeuvres.



The electronic traction system 4ETS automatically transfers the drive torque to the wheels with most grip

The all-wheel drive operates via a two-stage transfer case with reduction gearing and is directly connected to the 7G-TRONIC automatic transmission. Under normal circumstances two propshafts with constant velocity joints transfer the torque evenly to the front and rear axle, and a bevel differential takes care of the rotational speed compensation. Working together with the powerful engines and the 7G-TRONIC seven-speed automatic transmission, the 4MATIC all-wheel drive helps the GL-Class to achieve excellent driving dynamics.



A perfect team: the 4MATIC is supported by the ESP® and the electronic traction system 4ETS

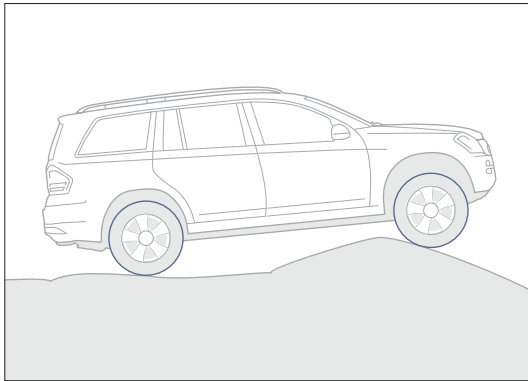
Off-road capability

The GL-Class conquers any kind of terrain – on road or off it

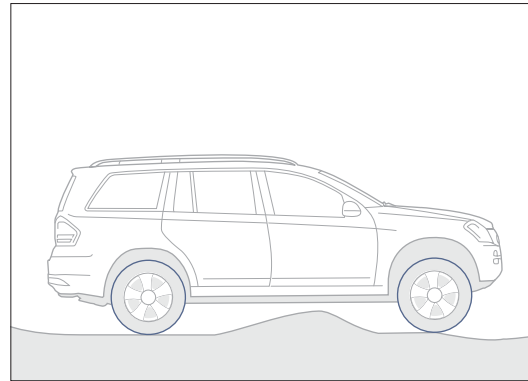
Off-Road Pro Engineering package. Equipped with its standard-specification Off-Road Pro Engineering package the GL can always find a way – even when there is none: take, for instance, the Hill-Start Assist, which helps you to make progress on an incline, or the off-road ABS, which reduces braking distances on downhill gradients,

particularly when driving on loose surfaces. It manages to do this because it is fitted with six-piece underbody panelling made of strong plastic, and this offers good protection when driving in off-road terrain. Together with the reinforced front underguard made of steel, the underbody panelling ensures that the off-roader remains robust when

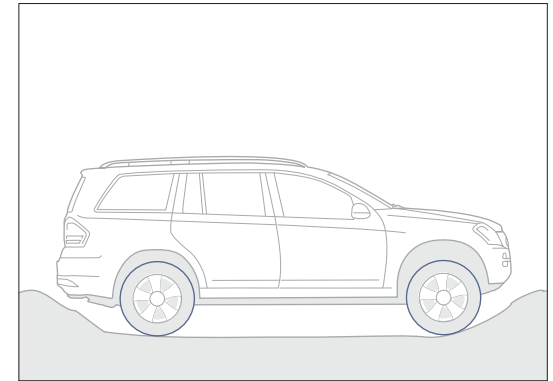
the going gets tough. The modified AIRMATIC facilitates ground clearance of 307 mm in the highest off-road mode, as well as a fording depth of 600 mm, even making light work of stream crossings and rocky stretches. The GL-Class mainly has its front double-wishbone suspension and its four-link rear suspension to thank for



Maximum breakover angle: 23%

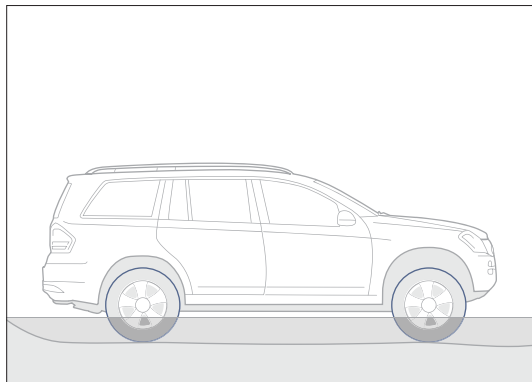


Ground clearance: up to 307 mm



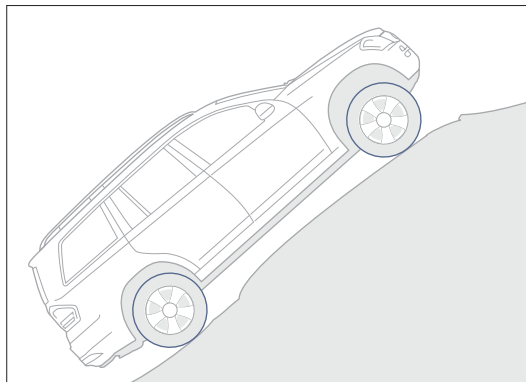
Angle of approach/departure: max. 33°/27°

its special off-road capability. The isolated design of the subframes prevents any jolts from being transferred via the vehicle's body. The upshot is that rough terrain will be virtually imperceptible to you and your passengers, who can be sure of a comfortable ride. Also playing a major role in the special driving experience the GL-Class has to



Maximum fording depth: 600 mm

offer are the 4ETS and the two-speed, low-range transfer case, which not only ensure that the necessary grip is there when you need it in difficult conditions – they also increase those all-important safety levels. As does the Downhill Speed Regulation (DSR), which can be used to select different maximum speeds on steep



It can climb gradients of up to 100%, depending on ground conditions

downhill stretches. The two-speed, low-range transfer case has a major contribution to make in ensuring that you feel just as at home off the beaten track in the GL-Class as you do when you're driving on even roads: thanks to the change-over function from a higher on-road to a lower off-road ratio. This low-range gear brings you more power and improved traction on unsurfaced roads, making it easier to climb uphill gradients – and also to pull heavy loads. In off-road operation, the electronic dynamic handling control system ESP®/4ETS adapts itself to meet the particular challenges it encounters in difficult terrain, for instance by reprogramming the timing for brake actuations at the wheels and raising the 7G-TRONIC's shift points, seeing to it that the GL-Class positively glides up hill and down dale with no problem at all.

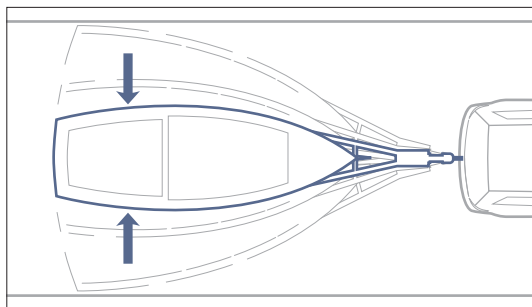
Safe driving

In the “safe driving” phase, vehicle systems are able to intervene before an accident can occur.

The best examples of this are the assistance systems in the GL-Class, as their awareness can defuse even critical situations

ESP® incl. trailer stabilisation (standard).

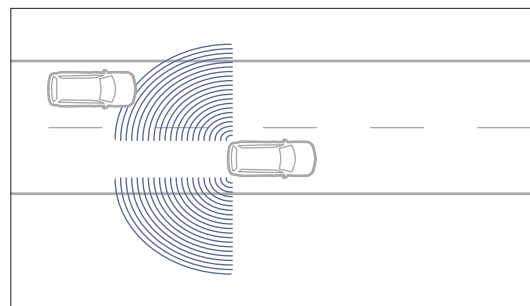
While towing, trailer stabilisation gives the driver additional support, along with the standard-specification Electronic Stability Program ESP®. If the trailer starts swinging back and forth when on the move, this intelligent



Trailer stabilisation helps to ensure a safer journey when towing

system can recognise the problematic driving situation and applies short brake actuations to quickly stop the trailer movement.

DISTRONIC (option). The DISTRONIC proximity control uses a radar sensor to help the driver

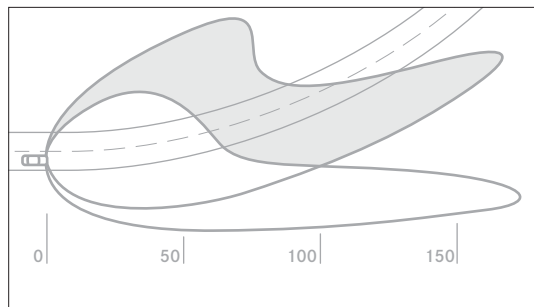


The Blind Spot Assist uses two radar sensors to monitor the blind spot

maintain the set distance to the vehicle in front in a speed range of 0 to 200 km/h. This takes a lot of strain off the driver, particularly on motorways, on roads with motorway-like conditions and in heavy traffic: if the system recognises that the vehicle is getting too close to another vehicle, it decelerates or activates the brake of its own accord. When the road is clear again, DISTRONIC continues to work like a conventional cruise control.

Blind Spot Assist (option). The optional Blind Spot Assist monitors the area which cannot be seen by the driver directly to the side of and behind the vehicle – in short: if the assistance system detects the danger of an impending collision with another vehicle when changing lane, the driver is

warned by a signal in the exterior mirror at speeds above 30 km/h. If the driver also uses the indicator in a situation like this, an acoustic warning is sounded too. This also occurs if other vehicles move from the next-but-one to the next lane. Blind Spot Assist will be available from 09/2010.



The active light function ensures far better illumination on both tight and long bends, even when driving with just low beam on

Intelligent Light System with LED daytime driving lights (option). The Intelligent Light System with adaptive bi-xenon headlamps (standard on the GL 500 4MATIC) adjusts to suit the driving situation and weather conditions. Above all it extends the range of the low-beam



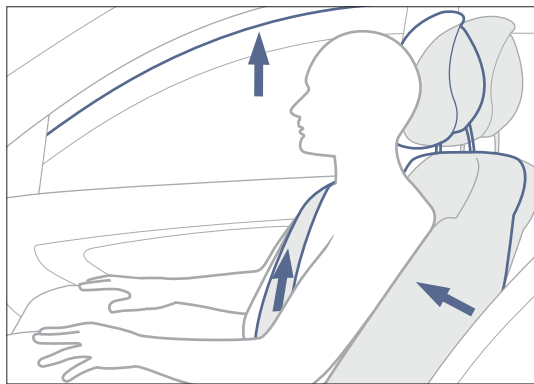
The LED daytime driving lights in conjunction with the Intelligent Light System regulate the headlamp range and light distribution

headlamps: by up to ten metres on rural roads and by up to 50 metres on the motorway. It also helps the driver in fog, by providing better illumination of the inner half of the road, thus reducing self-dazzling. The active light function completes this useful system of lights. The Intelligent Light System with LED daytime driving lights is located on the left and right on the front bumper in the form of light strips each with seven LEDs, bordered with chrome. They serve as a characteristic feature of the vehicle's appearance, whilst also increasing safety.

“In the event of danger or an accident”

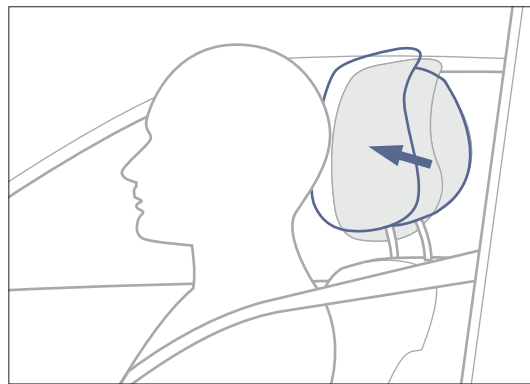
Whether there's the danger of an accident or one can no longer be avoided: the GL-Class does everything in its power to provide better protection for the driver and passengers

PRE-SAFE® system (standard). Depending on the driving situation and vehicle equipment, the system can initiate measures for preventive occupant protection when it detects dangers. Such measures include reversible belt tensioning and automatic closing of the open side windows



PRE-SAFE® uses the valuable seconds before an accident to protect the occupants in case of a collision

or the optional sliding sunroof. The all-important information is provided by the sensors of various systems such as Brake Assist or ESP®, which can register critical driving situations like understeering, oversteering or emergency braking.



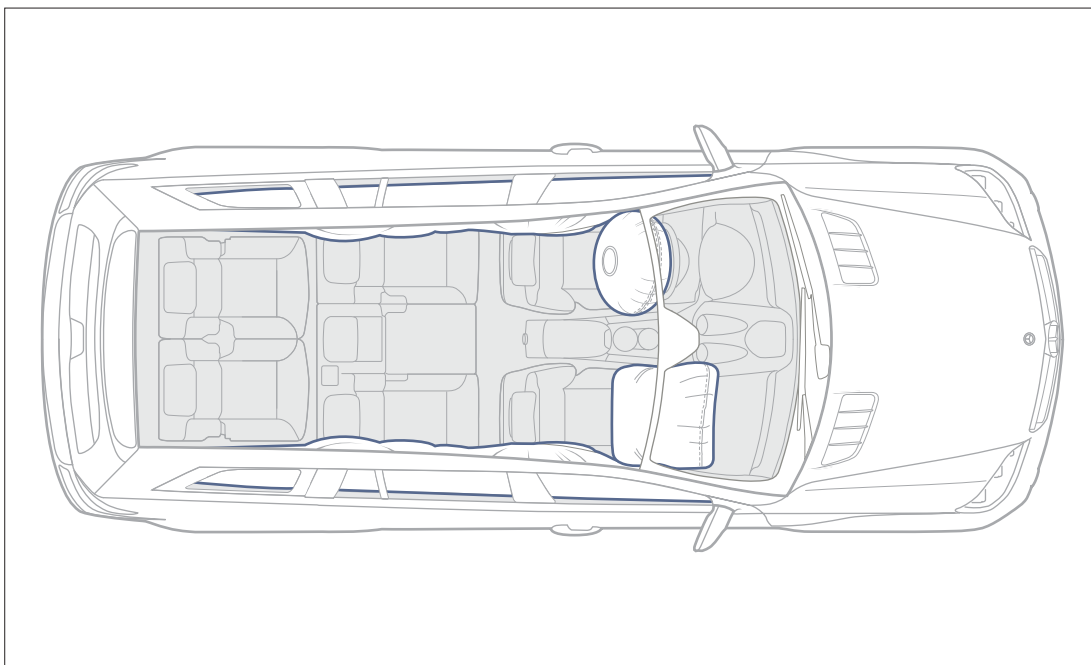
The flexible side bolsters on the NECK-PRO luxury head restraints can be adjusted by hand for the driver and front passenger

Seat belts (standard). For the driver, front passenger and rear passengers on the outer seats, 3-point seat belts with belt tensioners and belt force limiters come as standard. The seat belts on the front seats also include a new feature, known as a belt buckle tensioner. If this is activated, the seat belt strap for the driver and front passenger is automatically pulled tight at the start of every journey, without making it any less comfortable to wear.

NECK-PRO head restraints (standard). The crash-responsive NECK-PRO head restraints improve protection for the occupants and help to reduce the risk of whiplash injury. During a rear-end collision the head restraints are pushed forwards by around 40 millimetres and upwards by 30 millimetres, thus providing support for the heads of the front seat occupants

at an early stage. The flexible side bolsters on the optional NECK-PRO luxury head restraints provide additional lateral support for the head, whilst increasing seating comfort at the same time.

Airbags (standard). The interior of the GL also boasts no less than six airbags which can help avoid injuries in case of a collision. Passenger protection includes two front airbags with two-stage deployment, depending on the severity of an accident. The GL-Class also has sidebags in the front seat backrests for the driver and front passenger, plus two large windowbags extending over each of the total of three seat rows that are possible. Sidebags for the second row of seats are also available as an option.



Standard equipment includes windowbags for all three seat rows plus airbags and sidebags for the driver and front passenger

Ambient lighting

The new ambient lighting emphasises the generous, exclusive look of the interior at night

Ambient lighting (option). The ambient lighting underlines the stylish interior design when darkness falls. On opening the door the driver is met by a pleasant light that makes the interior appear even bigger and cosier than it already is. And it's now even easier to find what you're looking for inside the vehicle after dark. To provide the ambient lighting, LED lights/fibre-optic cables are integrated under the dashboard's trim strips and beneath the four door panels. The ambient lighting is automatically switched on when the exterior lights are manually or automatically activated and when the doors are opened. When the doors have been closed, the LED lights are dimmed. The light intensity can be set manually in five stages.



The ambient lighting lights up as a narrow band of LEDs along the wood trim strips, the dashboard and all four doors. Five levels of brightness can be selected via the menu in the instrument cluster

Multimedia systems

As an option the GL-Class offers an entire programme of entertainment, including such features as the Audio 50 APS or the COMAND APS multimedia system, whilst the Harman Kardon® Logic 7® surround sound system sets the tone perfectly

Audio 50 APS (option). Audio 50 APS has everything an excellent entertainment system needs: a radio, a CD/DVD drive and an MP3 player. It also boasts arrow-based DVD navigation, intersection zoom and the Traffic Message Channel, plus a Bluetooth® interface with a hands-free function.



COMAND APS integrates information, communication and navigation in a single system

COMAND APS (option). The COMAND APS multimedia system combines a radio and MP3 player with a hard-disc navigation system including high-resolution map display and dynamic route guidance. It shows all the information you need on a central 6.5-inch colour display. The DVD drive brings you the best in entertainment, and as well as video and audio DVDs it also plays CDs and MP3 files. What's more, there is a further 4 GB of memory on the hard-disc drive for audio files in MP3 or WMA format. And an SD memory card slot and Aux-in connection are included in the standard specification. All the major functions of COMAND APS can also be called up via the voice-operated control system LINGUATRONIC.

Harman Kardon® Logic 7® surround sound system (option). Equipped with twelve loudspeakers, including a subwoofer, and a 9-channel sound amplifier with a digital signal processor (DSP), this Dolby Digital 5.1 system has an output of 610 watts, bringing you first-class acoustics. 3D surround sound together with speed-dependent volume control ensure constant listening pleasure.

Assistance systems

Assistance systems provide additional comfort in the GL-Class. Parking is now child's play, thanks to PARKTRONIC and the reversing camera

PARKTRONIC (option). The PARKTRONIC parking aid (standard on the GL 500 4MATIC) helps the driver when parking and manoeuvring in tight spaces. If PARKTRONIC detects that there is not enough space available in front of or behind the vehicle, it warns the driver by giving visual



PARKTRONIC provides parking instructions

warnings. These are accompanied by acoustic signals if the distance falls below 35 cm. The system works according to the echo-sounder principle; a total of ten sensors send out ultrasound signals which are reflected by other vehicles or obstacles.



The reversing camera films the area around the tail end of the car

Reversing camera (option). Available as an option, the reversing camera, too, can make parking easier. Its wide-angle lens is installed below the handle in the tail end. The reversing camera is automatically switched on when reverse gear is engaged, and shows on the COMAND display exactly what it detects in the area immediately behind the vehicle, so it helps make reverse parking easier and safer by giving the driver a better view of the area surrounding the car's tail end. The reversing camera is available exclusively in conjunction with COMAND APS.

Climate control

An ideal interior climate is paramount when it comes to ensuring a relaxed journey.

This is why the climate control system for the GL-Class can be adjusted to meet the needs of each individual occupant

THERMATIC (standard). The THERMATIC automatic climate control uses sensors to control the temperature for the driver and front passenger automatically. A solar sensor on the windscreen records the intensity and direction of the sun's rays, for example.

Further standard features include air recirculation, a cooled glove compartment and a combination filter capable of filtering out even particulate matter. There are two additional air outlets for the rear compartment on the rear end of the centre console.

THERMOTRONIC. With THERMOTRONIC luxury automatic climate control (standard with V8 engines), the temperature setting and air distribution for the driver, front passenger and rear can be controlled individually. There is a separate control unit with a display specially for the rear. Additional air outlets in the B-pillars plus a compact additional fan beneath the centre console ensure that the temperature remains ideal. In addition to this, unpleasant odours and pollutants are largely kept out of the interior thanks to an air-quality sensor. So that all of the vehicle's occupants can breathe freely, the dew point sensor always ensures that there is a certain level of humidity.



The controls for the THERMOTRONIC luxury automatic climate control system are ergonomic and intuitive

Seats

With their exclusive designs, the seats in the GL-Class meet the most discerning of requirements. The GL-Class can comfortably seat up to seven people with its optionally available 3rd row of seats

Multicontour seats (standard with V8 engines). Thanks to the fact that they can be individually adjusted in line with the driver's anatomy, the multicontour seats offer a high level of comfort, even on long-distance journeys. The length, height and seat-cushion and backrest angle are all fully power-adjustable. Individual air chambers in the seats bring more stability and lateral support in the lumbar area, in the backrest side bolsters and in the front section of the seat cushion as more pressure is built up in the chambers in accordance with the current driving situation.

Climatised seats for driver and front passenger (option). Climatised front seats are available in conjunction with upholstery in leather or nappa leather. There is three-stage seat heating and active multi-stage ventilation for cooling the seat surface to choose from.



The multicontour seats for the driver and front passenger meet all your ergonomic needs

Memory package (standard with V8 engines). The Memory package can store 3 driver profiles for the position of the driver's seat, steering column and exterior mirrors, forming an ideal addition to the fully power-adjustable front seats that are part of standard specification. The switches belonging to the Memory package are neatly integrated into the seat console.

Rear seats. The seats in the 2nd row also offer a high level of comfort, their backrest angle being adjustable in 4 stages. The entire rear bench seat can be folded 1/3 : 2/3. 3-stage seat heating is available here in conjunction with heated front seats. Up to 7 people can be seated in the GL-Class, thanks to the optional 3rd row of seats. It's easy to take your seat here – courtesy of EASY-ENTRY – and the seat row can be folded away electrically for extra room.



The rear offers high levels of seating comfort on long journeys

Space

Thanks to its impressive size the GL-Class has all it takes to provide an exemplary load compartment concept



EASY-PACK system. You can have much of the hard work taken out of loading the vehicle by opting for the EASY-PACK tailgate (standard on the GL 500 4MATIC). It opens and closes electrohydraulically and can be halted in any intermediate position to prevent it from knocking against low garage ceilings, for example. Stowage capacity can be increased with an additional partitioned load compartment floor as well as a range of stowage boxes. And with the EASY-PACK load-securing kit (option), all your bags and other items can be firmly lashed down for safe transportation, even when driving off-road.

The EASY-PACK system makes light work of loading the GL-Class



The load compartment of the GL-Class can be extended as required

Load compartment. The generous dimensions of the GL-Class – with a length of 5099 millimetres, a width of 1920 millimetres and a height of 1840 millimetres – form the basis for an enormous load compartment. With three rows of seats there are 360 litres of space, without the optional third row of seats an impressive 1240 litres. Both the 2nd and the 3rd seat rows can be fully folded down (electrically), which makes a maximum load compartment capacity of 2200 litres possible. In the standard specification without the 3rd row of seats, the total capacity with the 2nd seat row folded down is 2300 litres.

AMG equipment

The AMG light-alloy wheels lend the GL-Class an even more dynamic aura → www.mercedes-amg.de

The new high-sheen 21-inch AMG 5-spoke light-alloy wheels, including wheel-arch flaring on the front and rear axle, give the GL-Class an even more exclusive appearance and are optionally available for all engine versions. The 10J x 21 ET 37

dimensions and the 295/40 R 21 tyres on these striking light-alloy wheels become even more eye-catching with the powerful wheel-arch flaring at the front and rear.



High-shine 21-inch AMG 5-spoke light-alloy wheels with wheel-arch flaring at the front and rear

Paintwork, upholstery and trim

The innovative paint system developed by Mercedes-Benz includes one of the best clearcoats on the automotive market and is a key factor behind the car's excellent value retention. The secret lies in the exceptionally dense molecular structure, which makes both the metallic and the non-metallic clearcoats more resistant, helps dirt to bead off more easily and produces a longer-lasting and more intensive shine.

NON-METALLIC PAINTS

040 black

650 calcite white

METALLIC PAINTS

197 obsidian black

359 tanzanite blue

544 carnel red

755 tenorite grey

775 iridium silver

792 palladium silver

798 sanidine beige

SPECIAL METALLIC PAINT

474 peridot brown

NON-METALLIC PAINTS

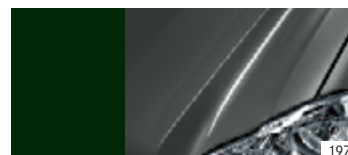


040



650

METALLIC PAINTS



197



359

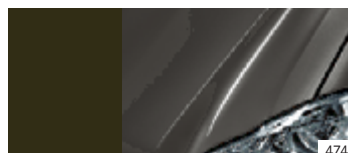


792

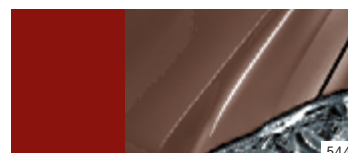


798

SPECIAL METALLIC PAINT



474



544



755



775



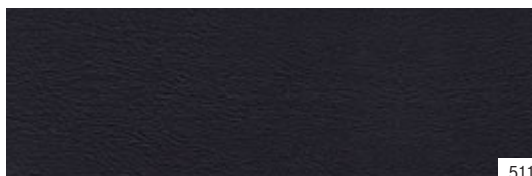
With the black colour scheme there is a choice of seat covers in ARTICO man-made leather (standard) or leather (optional) – each with topstitching in contrasting colours. In this case, the upper part of the dashboard and the door centre panels are trimmed in ARTICO. Or you can opt for the variant with seat covers, upper part of the dashboard and door centre panels in nappa leather (standard for the GL 500 4MATIC). In all three variants, the centre console and carpet are in black throughout.

151
221

729



731



511



H02



H04

BLACK

- 151 ARTICO man-made leather (topstitching in contrasting colour)
 - 221 Leather (topstitching in contrasting colour)
 - 511 Nappa leather
-

TRIM PARTS

- 729 Anthracite poplar with chrome highlights (option)¹
 - 731 Burr walnut with chrome highlights (option)²
 - H02 Light birch with chrome highlights (option)³
 - H04 Bird's-eye poplar⁴
-

¹ Optional extra (available as a no-cost option for the GL 450 CDI 4MATIC, GL 450 4MATIC and GL 500 4MATIC) ²Optional extra (standard for GL 450 CDI 4MATIC and GL 450 4MATIC, available as a no-cost option for the GL 500 4MATIC)

³Optional extra (standard for the GL 500 4MATIC) ⁴Only for the GL 350 CDI 4MATIC BlueEFFICIENCY and GL 350 BlueTEC 4MATIC



With the alpaca grey colour scheme the seat upholstery comes as standard in ARTICO man-made leather. Like the upholstery in leather which is available as a cost option, it features topstitching in a contrasting colour. For both variants, the upper part of the dashboard and the door centre panels are trimmed in ARTICO as standard. Alternatively, the seat upholstery, upper part of the dashboard and door centre panels can be trimmed in nappa leather (standard for GL 500 4MATIC). The lower part of the dashboard, the centre console and door centre panels are all in alpaca grey. The upper part of the dashboard, the door edges and the carpet are in contrasting dark alpaca grey.

158
228

518



729



731



H02



H04

ALPACA GREY

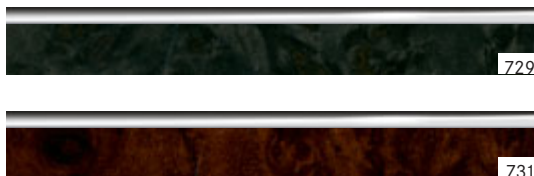
- 158 ARTICO man-made leather (topstitching in contrasting colour)
- 228 Leather (topstitching in contrasting colour)
- 518 Nappa leather

TRIM PARTS

- 729 Anthracite poplar with chrome highlights (option)¹
 - 731 Burr walnut with chrome highlights (option)²
 - H02 Light birch with chrome highlights (option)³
 - H04 Bird's-eye poplar⁴
-



With the cashmere beige colour scheme the upholstery in ARTICO man-made leather as well as the lower part of the dashboard, centre console, carpet and door centre panels are all in cashmere beige. The upper part of the dashboard and the door edges provide a contrast in dark java. The same colour combination applies to the cost-option variants leather and nappa leather (standard for the GL 500 4MATIC). In the case of the ARTICO and leather variants, the upper part of the dashboard and the door centre panels are trimmed with ARTICO as standard. In the case of the nappa leather variant, they are trimmed in nappa leather.



CASHMERE BEIGE

- 154 ARTICO man-made leather
- 224 Leather
- 514 Nappa leather

TRIM PARTS

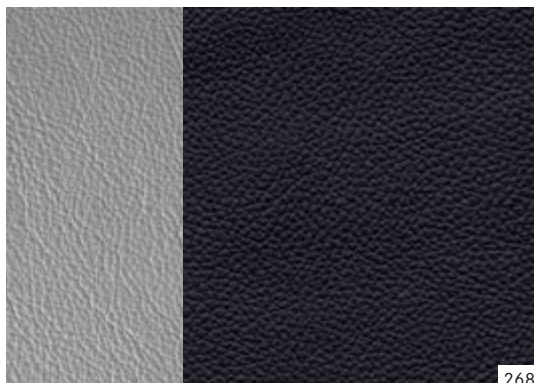
- 729 Anthracite poplar with chrome highlights (option)¹
 - 731 Burr walnut with chrome highlights (option)²
 - H02 Light birch with chrome highlights (option)³
 - H04 Bird's-eye poplar⁴
-

¹ Optional extra (available as a no-cost option for the GL 450 CDI 4MATIC, GL 450 4MATIC and GL 500 4MATIC) ² Optional extra (standard for GL 450 CDI 4MATIC and GL 450 4MATIC, available as a no-cost option for the GL 500 4MATIC)

³ Optional extra (standard for the GL 500 4MATIC) ⁴ Only for the GL 350 CDI 4MATIC BlueEFFICIENCY and GL 350 BlueTEC 4MATIC



The optional colour scheme in black/alpaca grey includes leather seat upholstery, with the lower part of the dashboard, centre console and door centre panels in alpaca grey. The upper part of the dashboard, and the door edges, the carpet and the roof liner are black. The upper part of the dashboard and the door centre panels are trimmed in ARTICO man-made leather as standard.



268



729



731



H02



H04

BLACK/ALPACA GREY

268 Leather (option, topstitching in contrasting colour)

TRIM PARTS

729 Anthracite poplar with chrome highlights (option)¹

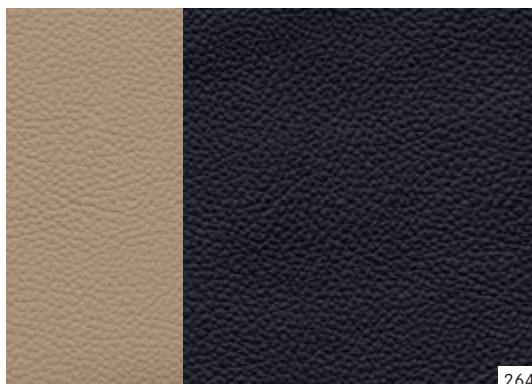
731 Burr walnut with chrome highlights (option)²

H02 Light birch with chrome highlights (option)³

H04 Bird's-eye poplar⁴



The optional colour scheme in black/cashmere beige includes leather upholstery, with the lower part of the dashboard, centre console and door centre panels in cashmere beige. The upper part of the dashboard, and the door edges, the carpet and the roof liner are black. The upper part of the dashboard and the door centre panels are trimmed in ARTICO man-made leather.



264



729



731



H02



H04

BLACK/CASHMERE BEIGE

264 Leather (option)

TRIM PARTS

729 Anthracite poplar with chrome highlights (option)¹731 Burr walnut with chrome highlights (option)²H02 Light birch with chrome highlights (option)³H04 Bird's-eye poplar⁴

¹ Optional extra (available as a no-cost option for the GL 450 CDI 4MATIC, GL 450 4MATIC and GL 500 4MATIC) ² Optional extra (standard for GL 450 CDI 4MATIC and GL 450 4MATIC, available as a no-cost option for the GL 500 4MATIC)

³ Optional extra (standard for the GL 500 4MATIC) ⁴ Only for the GL 350 CDI 4MATIC BlueEFFICIENCY and GL 350 BlueTEC 4MATIC

Standard equipment | Selection



The vehicle can be raised and lowered via a rotary wheel



The Audio 20 sound system plays music through eight loudspeakers and is equipped with a CD drive



The tube-style surrounds in the instrument cluster feature chrome rings and white needles with a 3D scale



The LED tail lights are standard for all models and add a particularly distinguishing feature to the rear view



The tail end is enhanced with a simulated underguard in stainless steel with a chrome look



The standard-specification chrome trim lends the front section a striking appearance, for instance with brilliant-silver-coloured louvres in the radiator grille

Optional extras | Selection



The wood/leather multifunction steering wheel feels every bit as luxurious as it looks



The 8-inch colour screens belonging to the Rear Seat Entertainment System can be used for DVDs or console games



For improved lateral support and a high level of seating comfort: the crash-responsive NECK-PRO head restraints are also optionally available as a luxury version



The electrically operated EASY-PACK tailgate makes it easier to load the vehicle



The aluminium-look running board makes it easier to enter the vehicle



The LED daytime driving lights in conjunction with the Intelligent Light System regulate the headlamp range and light distribution (standard for the GL 500 4MATIC)

Wheels



21-inch AMG 5-spoke light-alloy wheel with wheel-arch flaring (option)



18-inch 5-spoke light-alloy wheel (standard for V6 engines)



19-inch 5-spoke light-alloy wheel (standard for V8 engines)



20-inch 5-twin-spoke light-alloy wheel (option)



“Perim” 19-inch 10-spoke light-alloy wheel, high-shine, titanium silver or bicolour/black (incenio designer wheel)



“Tomeko” 20-inch 10-spoke light-alloy wheel, high-shine, bicolour/black (incenio designer wheel)



“Recheo” 20-inch 5-spoke light-alloy wheel, high-shine, titanium silver or bicolour/black (incenio designer wheel)

Genuine accessories

The genuine accessories not only add a more personal touch to your GL-Class; they also give it more room → www.mercedes-benz.de/accessories

There's virtually no other vehicle that gives you as much space for an active lifestyle as the GL-Class does, and with our genuine accessories you can make even more intensive use of this space. The standard-specification roof rails, for example, can be accompanied by the optional crossbars. They keep the combined ski and snowboard rack and the Mercedes-Benz roof boxes safe in transit. The roof boxes are available in three different sizes and their capacity ranges from 330 to 450 litres. And even without a roof rack, the crossbars accentuate the sporty look of the GL-Class. The chromed door handle recesses round off the chrome finish perfectly, whilst also offering protection against scratched paintwork.

The Mercedes-Benz iPod® Interface Kit in the glove compartment enables you to personalise your musical entertainment experience. It connects the iPod® with the sound system, which can be operated via the multifunction steering wheel. The GL-Class makes a declaration of independence where the choice of mobile phone is concerned. With a simple "click" the phone's cradle is firmly secured on the telephone console. And it can be exchanged just as easily - in matter of seconds, as is the case when placing the mobile phone in the cradle itself. Straightaway everything functions just as usual: the telephone is operated via the multifunction steering wheel and the telephone status and call information shown on the central multifunction display. The cradles for mobile phones are suitable for all vehicles that are

factory-fitted with optional extra Code 386, Convenience Telephony.



Chromed door handle recesses ensure you make a glittering entrance



The roof box is available in a choice of two colours and three sizes

Technical data

No. of cylinders/arrangement
Total displacement (cc)
Rated output ¹ (kW at rpm)
Rated torque ¹ (Nm at rpm)
Compression ratio
Acceleration from 0–100 km/h (s)
Top speed, approx. (km/h)
Tyre size, front/rear
Fuel
Fuel consumption ² (l/100 km)
urban
extra-urban
combined
CO ₂ emissions ² (g/km), combined/EU emissions standard
Tank capacity (l)/incl. approx. reserve
Load capacity (l)
max. behind 2 nd row of seats
max. behind 1 st row of seats
Turning circle diameter (m)
Kerb weight ³ (kg) (7 seats)
Permissible GVW (kg) (7 seats)

DIESEL ENGINES

GL 350 CDI 4MATIC BlueEFFICIENCY	GL 350 BlueTEC 4MATIC	GL 450 CDI 4MATIC
6/V	6/V	8/V
2987	2987	3996
165/3800	155/3400	225/3600
510/1600–2800	540/1600–2400	700/2000–2600
17.7	16.5	17.0
9.5	9.6	7.6
210	210	230
265/60 R 18	265/60 R 18	275/55 R 19
Diesel	Diesel	Diesel
11.9–12.0	12.1–12.2	15.6–16.0
7.7–8.2	7.2–7.5	9.2–9.4
9.3–9.6	9.0–9.3	11.6–11.8
244–253/EU 4	239–244/EU 6	307–313/EU 4
100/13	100/13	100/13
1240	1240	1240
2300	2300	2300
12.1	12.1	12.1
2450 (2505)	2490 (2545)	2550 (2585)
3150 (3250)	3150 (3250)	3250 (3250)

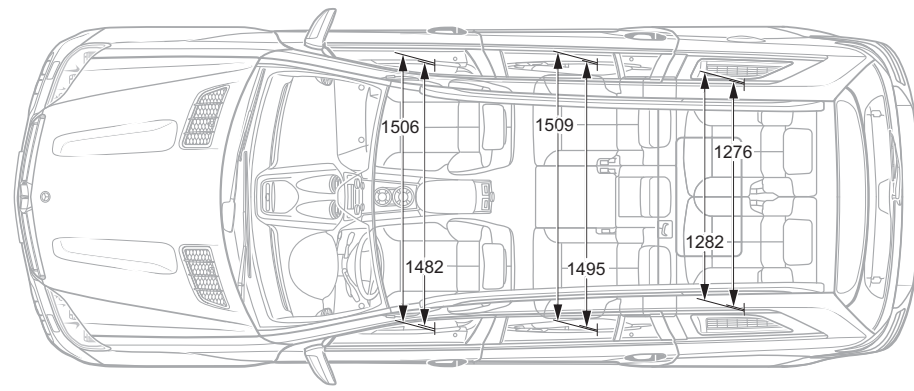
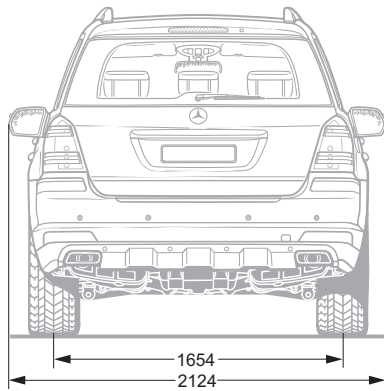
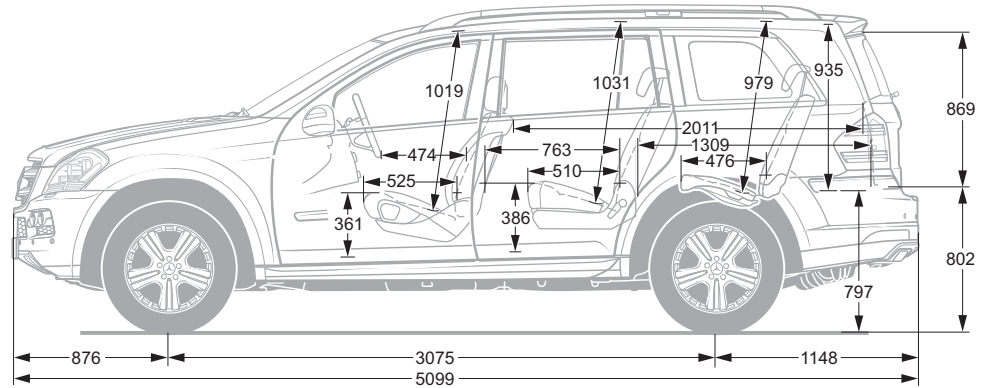
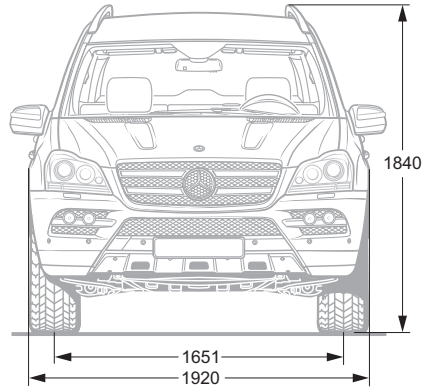
¹ The figures shown were obtained in accordance with the prescribed measuring process (Directive 80/1269/EEC in the currently applicable version) ²The figures are not based on an individual vehicle and do not constitute part of the product offer; they are provided solely for the purposes of comparison between different vehicle models

	PETROL ENGINES	
	GL 450 4MATIC	GL 500 4MATIC
No. of cylinders/arrangement	8/V	8/V
Total displacement (cc)	4663	5461
Rated output ¹ (kW at rpm)	250/6000	285/6000
Rated torque ¹ (Nm at rpm)	460/2700–5000	530/2800–4800
Compression ratio	10.7	10.7
Acceleration from 0–100 km/h (s)	7.2	6.5
Top speed, approx. (km/h)	235	240
Tyre size, front/rear	275/55 R 19	275/55 R 19
Fuel	Premium petrol	Premium petrol
Fuel consumption ² (l/100 km)		
urban	18.4–18.6	18.8–19.0
extra-urban	10.5–10.7	10.6–10.8
combined	13.4–13.6	13.6–13.8
CO ₂ emissions ² (g/km), combined/EU emissions standard	312–317/EU 5	317–322/EU 5
Tank capacity (l)/incl. approx. reserve	100/13	100/13
Load capacity (l)		
max. behind 2 nd row of seats	1240	1240
max. behind 1 st row of seats	2300	2300
Turning circle diameter (m)	12.1	12.1
Kerb weight ³ (kg) (7 seats)	2430 (2465)	2445 (2480)
Permissible GVW (kg) (7 seats)	3150 (3250)	3150 (3250)

¹ Figures according to Directive 92/21/EC, version 95/48/EC (kerb weight with fuel tank 90% full, driver, 68 kg, and luggage, 7 kg) for standard-specification vehicles.

Optional extras and accessories will generally increase this figure and reduce the payload capacity accordingly

Dimensions



Services

Experience Mercedes-Benz at first hand. It all started in Berlin at the end of 2000: the concept of the car dealership was reinvented with the opening of the first Mercedes-Benz Center. Featuring the entire Mercedes-Benz model line-up as well as the accessories range, brand merchandise and an attractive programme of events, the Centers – now to be found in many of Europe's major cities – offer a welcoming environment in which to experience the brand at first hand. But it's not just in large cities that you can experience the legendary Mercedes-Benz brand and service. A close-knit network of company-owned sales and service outlets and authorised dealers ensures that you are never far from the wide range of services, the comprehensive customer care and the high quality which you expect from Mercedes-Benz. And you can count on their support at every stage – before you buy your Mercedes, during the purchase process and, most importantly, for a long time afterwards too.

Mercedes-Benz Museum. More than 120 years of automotive history in one place – this is what awaits you at the Mercedes-Benz Museum in Stuttgart. Experience the unique excitement, and embark upon a thrilling journey through time. Housed inside an architecturally impressive building, over 1500 exhibits on nine levels give you an insight into the unique tradition and powers of innovation of the Mercedes-Benz brand. Plus you can see the world's first two automobiles in the shape of the Benz Patent-Motorwagen (motor car) and the Daimler motorised carriage – both from the year 1886. Two linked circuits take you from the beginnings of the automobile, past a series of unforgettable classics, through over 100 years of motor racing history and, finally, on to a glimpse of what the future holds – in an area covering a total of 16,500 square metres. Enjoy the unique brand experience. We look forward to your visit. For more information, please visit www.mercedes-benz.com/museum

MercedesCard. The card is your ticket to the Mercedes-Benz experience: four times a year, we will send you exciting details of a selected range of events and services, which we have put together exclusively for you. Then there is the Mercedes magazine with its fascinating reports and articles. But the MercedesCard also has many other uses: as a VISA credit card, it is an internationally accepted means of payment. Answer the annual questionnaire and we'll even waive the card fee. Plus the card offers further benefits to provide you with peace of mind, such as the Mercedes-Benz insurance package at no extra charge and the exclusively compiled MercedesCard insurance package at a preferential price. You can also gain free entry to the Mercedes-Benz Museum simply by showing your VISA MercedesCard. For more information, please visit www.mercedes-benz.de/mercedescard¹

¹ Information about the MercedesCard in Austria and Switzerland can be found on the Mercedes-Benz websites for these countries

Mercedes-Benz mobility. There will always be a helpful passenger in your new Mercedes-Benz: the assurance of carefree driving. If you should ever need assistance, the Mercedes-Benz Service24h is there for you round the clock, 365 days a year. Our specialists are there to assist you in your own language if you telephone the freephone service hotline on 00800 1 777 7777¹. The newly integrated telematics service Mercedes-Benz Contact² is even more customer-friendly: it enables you to make contact with the Mercedes-Benz customer centre by telephone at the touch of a button. And if you wish, all the relevant vehicle and position-related data can be transmitted, so that your adviser has all the important information right from the start of the telephone conversation, thus ensuring the shortest possible reaction time, individual service and rapid on-the-spot help. As standard and at no extra charge: the Mercedes-Benz mobility package Mobilo – our 4-year warranty for your mobility³. Whether you have lost your key, are having problems starting your car or

have had a breakdown which cannot be repaired immediately – Mobilo ensures that you still reach your destination – anywhere in the whole of Europe, even if the vehicle is damaged as a result of an accident or vandalism. Should a repair take a little longer, we will even cover the cost of an overnight stay. But don't get too excited – after all, it's very rare for a Mercedes to break down. Whatever the nature of your problem, one thing is for certain: you will soon be able to resume your journey, satisfied that the problem has been solved.

¹ Charges for calls made from mobile phones may vary, depending on service provider

² Only in conjunction with a factory-fitted radio and switched-on mobile phone. For the cost of a call to the landline network

³ Once the warranty has expired, Mobilo can be extended one year at a time for a maximum of 30 years, provided that regular maintenance is carried out by your Mercedes-Benz service partner

Mercedes-Benz Bank. If you have already chosen your dream car and want to remain financially flexible, you should make us your next port of call, whether it be for leasing, finance, insurance or service packages. Our “Private Leasing Plus” scheme is a complete package comprising leasing, third-party insurance and fully-comprehensive insurance. “Business Leasing Plus” for business customers works in much the same way, while our Plus3 Financing combines the low repayment rates of a financing scheme with the flexibility of leasing. You then have three options at the end of the contract: you can keep the car, sell it or return it to us for a guaranteed price and switch to a new model. We can also offer a range of investment products such as fixed-interest products, savings plans, investment funds or depository receipts. For further information, please call us on 01803/32 22 65⁴ or visit us at www.mercedes-benz-bank.de

⁴ 9 ct/min from Deutsche Telekom landlines, mobile-phone rates may vary

Test drive. A Mercedes-Benz is most at home on the road. This is the only way to experience the effortlessly superior driving feel that lends every Mercedes model its inimitable class. Feel the power of efficient engines with low fuel consumption and precise steering, designed to put you right in the mood for driving. And experience what true comfort really is. The unique feeling of driving a Mercedes cannot be put into words, however. Which is precisely why we'd like to invite you to take a test drive. Your Mercedes-Benz dealer will be happy to make all the necessary arrangements for you. Simply visit www.mercedes-benz.com to locate the nearest Mercedes-Benz dealer in your country or region. We look forward to seeing you.

Interactive Owner's Manual. The website also offers an interactive tour, enabling you to take a closer look at your desired model. This simulation is the ideal way to acquaint yourself with your dream car. You can view key functions in detail, gain an insight into the car's inner workings or look at the benefits of each model. For further details, go to: www.mercedes-benz.de/owners-manual

Mobile internet. Now your mobile phone acts as a gateway to the whole Mercedes-Benz world. In addition to an overview of all passenger car models, there are insights into the entire brand world, not to mention a wealth of entertainment offers and direct links to a range of services at www.mercedes.mobi

Take-back of end-of-life vehicles. Coming full circle. At the end of its long life, you can return your GL-Class to us for environment-friendly disposal in accordance with the EC End-Of-Life Vehicle Directive¹. But that day lies a long way off.

¹ Applies in accordance with national regulations to vehicles up to 3.5 tonnes gross weight. Mercedes-Benz passenger cars have met the statutory regulations governing the suitability of their design for reuse and recycling for a number of years now. A network of vehicle take-back depots and dismantlers has been established which will process your vehicle in an environment-friendly manner. The ways in which both vehicles and parts can be recovered are subject to ongoing development and improvement. Consequently, the GL-Class will be able to comply with any future increases in the recycling quota within the stipulated time limits. For further information, please call 00800 1 777 7777

Please note: changes may have been made to the product since this brochure went to press (04.09.2009). The manufacturer reserves the right to make changes to the design, form, colour and specification during the delivery period, provided these changes, while taking into account the interests of the vendor, can be deemed reasonable with respect to the purchaser. Where the vendor or the manufacturer uses symbols or numbers to describe an order or the subject of an order, no rights may be derived solely from these. The illustrations may show accessories and items of optional equipment which are not part of standard specification. Colours may differ slightly from those shown, owing to the limitations of the printing process. This brochure has been compiled by Daimler AG of Germany and is distributed internationally. It provides a general indication of the range of models, features, optional extras, colours and/or services available in various countries. Some of the models, features, optional extras, colours and/or services may not be available in your country, or may only be available in a different specification. Additionally some models, features, optional extras, colours and/or services may only be available in combination with others. For current and more specific information in relation to the range of models, features, optional extras, colours and/or services available in your country, and their pricing, you should contact your nearest authorised Mercedes-Benz Passenger Car Dealer. www.mercedes-benz.com