



E-Class Saloon

Mercedes-Benz





Welcome home

Mercedes-Benz





## An economic miracle right from the start

The roots of the E-Class can be traced back as far as the early 20<sup>th</sup> century, although the direct genealogy began in 1947 when the 170 V model became the first Mercedes-Benz passenger car to enter production in the post-war years. It was as inextricably linked to the economic miracle as its successor, the “three-box-body Mercedes”, and they set the lead for others to follow, both technologically and economically.

Other legendary models include the “Tail Fin” and the “Stroke/8”, the latter named after its launch year: 1968. Its timeless design still sends Mercedes enthusiasts into raptures to this day. Like the W 123 model series that followed it, it is etched into Germany’s collective memory in one colour above all, namely the light ivory shade made famous by the taxi models. Launched in 1984, in 1993 the W 124 model series was the first to be officially named the E-Class. And, two years later, the E-Class wrote design history with its innovative “twin headlamp face”.

Finally, the best aspects of the previous eight generations of the E-Class are combined in the ninth: the W 212 model series. Its rear wings are a reminiscence to the “three-box body”, while the headlamps bring to mind its immediate predecessor. The high levels of comfort and safety are the result of many decades of development work at Mercedes-Benz. Yet the end result is utterly unique: the new E-Class.



## Inspired

Make yourself at home: in one of the world's most attentive cars. Every detail is built around you, for your safety and your comfort. Over 80 sensors make it their job to see to your wellbeing, while countless innovations – from ATTENTION ASSIST to the kneebag – give you that reassuring feeling of safety. And just one look at the twin headlamp face of the new E-Class tells you straight away: behind the distinctive design lies an exceptional array of technology. Look forward to a drive in a genuinely special car. Look forward to a genuine Mercedes.

At a glance | from page 6, Insight | from page 28

# E-Class Saloon



## Facts

**Driving pleasure with the emphasis on comfort:** engines, transmissions, AIRMATIC air suspension and 4MATIC all-wheel drive.

Drive system & chassis | from page 36

**Even better protection from starting point to destination:** state-of-the-art technology for safe driving and the right response in the event of danger or an accident as well as for the E-Guard.

Safety | from page 46

**Discover what effortless travel feels like:** stress-relieving comfort, seating comfort and ride comfort as well as navigation and audio systems.

Comfort | from page 50

**E-Class individuality:** design and equipment lines and packages, paintwork, standard equipment and optional extras, wheels and genuine accessories.

Equipment | from page 54

**To be precise:** technical data and dimensions.

Facts & figures | from page 78

**Hallmark Mercedes-Benz customer service:** experience Mercedes-Benz at first hand, Mercedes-Benz Museum, MercedesCard, Mercedes-Benz Service24h, Mercedes-Benz Bank.

Services | from page 81





# Familiarly different

Like its predecessors, the ninth-generation E-Class is instantly recognisable as a Mercedes. Yet it displays its very own design idiom: the front end sweeps back dynamically, the long flanks exude athleticism and the rear section is emphatically broad. The design leaves no doubt that this is the start of a new chapter in the story of the E-Class.





# Invitingly distant

Safety and comfort go hand in hand in the E-Class. It has the ability to detect traffic signs and vanquish the dreaded blind spot (optional). Plus it can help the driver stay a safe distance behind the vehicle in front. So it can be an invaluable companion on any road. Or a saviour in dangerous situations. → Pages 46, 47, 51

Your options: Speed Limit Assist | Blind Spot Assist | DISTRONIC PLUS proximity control









# Thrillingly relaxing

If you're having trouble fleeing everyday stress, the E-Class could be just the escape car you need. From the moment you get in, you just know you are in for a treat: the convenient controls are custom-designed around you, the impressive technology does exactly what you want it to and the generously appointed interior panders to your every whim. Experience a saloon that is ahead of its time.





## Vigilant calm zone

Wouldn't it be good to have a watchful companion by your side at all times? Someone who knows you well and steps up to the plate when you need them most? That "someone" is ATTENTION ASSIST. Fitted as standard, it monitors your driving style and warns you that you are becoming drowsy or letting your attention slip. For a higher level of safety – and a lower pulse rate. → Page 46

Your option: luxury individual rear seats

## Systematically spontaneous

We've thought ahead so you can enjoy the drive: the interior is uncluttered and all the controls can be used intuitively. Simply get in and drive away. In one sense, you've already reached your destination: a place where you can sit back and relax.





# Restorative efficiency

You get the chance to show you're the perfect host as the luxury individual rear seats, available as an option, allow you to transform the rear compartment into a luxury lounge. Or, if you prefer, the E-Class into a comfortable office or rest area. → Page 53



## At home on the road

The E-Class was developed to give its best every day. So quality and precision come as standard. We don't think you'll ever tire of feeling the quality of the build and the materials. Nor marvelling at them.

→ Pages 54 – 69











# Spiritedly conscientious

A drive in the E-Class delivers what its athletically elegant exterior promises. Whichever engine variant you opt for, you are sure to glide serenely over the road thanks to the array of technology, the assistance systems and the effortlessly superior roadholding. In short, wrapped in our vast knowledge of safety. → Pages 46 - 51





46

# Uplifting roadholding

Perhaps the greatest benefit of the E-Class is the feeling you get when you arrive at your destination – that you are more relaxed and refreshed than you would after getting out of practically any other car. That's because the technology has just one thing in mind when you're on the road: your wellbeing.  
→ Page 45









**We build protective layers.** The E-Class has now been around in one form or another for over 60 years. And it is cars like this we have to thank for the fact that the term “Limousine” has come to stand for a particular type of car in many countries. In German, for instance, it actually means “saloon”. The definition of the word in this sense is “closed car”. But the etymology is far more interesting: the word denotes the Limousin region of France as well as a waggoner from this region. The waggoners, in turn, named their characteristic coats after the region in which they lived. This was how the actual meaning of the word “Limousine” – “wide and large protective coat” – developed. This coat, which protected the waggoners from adverse weather conditions, is in a sense the model for the E-Class. Its unique form made it famous, its function made it invaluable and its proud wearers became legends. Sounds familiar. Sounds like a Mercedes-Benz saloon.





**The discovery of the gherkin tin.** Sindelfingen, Germany in the late 1950s: Rolf Maier, safety engineer at Mercedes-Benz, was faced with a problem. He had to carry out impact tests to check the steering and restraint systems. But the costs were spiralling out of control. What to do? There is no proof to suggest that he stumbled across the solution whilst eating lunch; however, there is certainly a suspicion of this. He realised that the tests could be carried out equally effectively – and much less expensively – by using sledge systems. All that was missing was an adequate crumple zone. And this is where we come back to the subject of lunch, since he decided to use tins of gherkins from the factory canteen. And so he went down in company history as “Gherkin Maier”. Just one short story that highlights the richness of our engineers’ ideas and Mercedes-Benz’s renowned powers of invention. As also displayed by the E-Class.







The facts

Mercedes-Benz

36 **Ecofriendly drive systems**37 **E-Class BlueEFFICIENCY**38 **Diesel engines**

4-cylinder

6-cylinder

40 **Petrol engines**

4-cylinder

6-cylinder

8-cylinder

42 **Transmissions**

6-speed manual transmission

5-speed automatic transmission

7G-TRONIC

44 **Chassis and suspension**

4MATIC

DIRECT CONTROL suspension

Direct-Steer system

AIRMATIC

46 **Safe driving**

ATTENTION ASSIST

Night View Assist Plus

Lane Tracking package

DISTRONIC PLUS

Light package

48 **In the event of danger or an accident**

PRE-SAFE® system

Airbags

Active Bonnet

49 **E-Guard**50 **Multimedia systems**

Audio 50 APS

COMAND APS

Harman Kardon® Logic 7® surround sound system

51 **Assistance systems**

Speed Limit Assist

Reversing camera

PARKTRONIC and Parking Guidance

52 **Climate control**

THERMATIC

THERMOTRONIC

Climatised seats

53 **Seats**

Luxury individual rear seats

Active Multicontour Seat package

Memory package

## E-Class Saloon in detail

54 **Design and equipment lines**  
**incl. upholstery and trim elements**

Standard equipment

ELEGANCE

AVANTGARDE

66 **Equipment packages**

Exclusive package

AMG Sports package

70 **Paintwork**

72 **Standard equipment**

73 **Optional extras**

74 **Wheels**

Standard wheels

Optional wheels

AMG wheels

Incenio designer wheels (accessories)

76 **Genuine accessories**

78 **Technical data**

80 **Dimensions**

81 **Services**

Experience Mercedes-Benz at first hand

Mercedes-Benz Museum

MercedesCard

Mercedes-Benz Service24h

Mercedes-Benz Bank

Test drive

Interactive Owner's Manual

Mobile Marketing

## Ecofriendly drive systems

As the inventor of the car, Mercedes-Benz has a special responsibility to develop solutions that ease the burden on the environment and make extremely efficient use of natural resources – without compromising on safety, comfort or driving enjoyment. → [www.truebluesolutions.de](http://www.truebluesolutions.de)

Our aim is zero-emission mobility. To help us achieve this, we have developed a range of concepts, such as **BlueEFFICIENCY**. This custom-designed efficiency package can cut fuel consumption by up to 23 %: each model features a raft of bespoke aerodynamic and energy-management measures, with the goal of ensuring the highest possible level of environmental compatibility. As for diesel, Mercedes-Benz has brought **BlueTEC** technology, based on common-rail direct injection (CDI), to market. It epitomises the world's cleanest diesel as it can reduce nitrogen-oxide emissions by up to 80 %. **BlueHYBRID** technology – a combination of highly efficient internal combustion engine and electric motor – is also highly promising. Vehicles with this drive system scale new heights in terms of cleanliness and cost-effectiveness. **BlueTEC HYBRID** is the name Mercedes-Benz gives to the equiva-

lent technology for diesel. Its prototype is the Vision GLK 300 BlueTEC HYBRID, which is currently the world's cleanest and most economical SUV. In the F700 research vehicle, meanwhile, we have succeeded in combining the advantages of a petrol model with those of a diesel model. The **DIESOTTO** drive system in the F700 may have petrol in the tank, but it runs like an economical diesel in many driving situations. Mercedes-Benz also sees great potential in the development of the fuel cell. This future-compatible drive system operates without the need for mineral fuels and produces no harmful emissions whatsoever. Series production of the first of these vehicles – the B-Class **F-CELL** – is due to start in 2010. The TrueBlueSolutions concept, on the other hand, does not just encompass new drive technologies; under the **Design for Environment** motto, we look at a vehicle's entire

lifecycle – from planning to recycling. The same applies to the building and operation of new plants. We save energy, avoid pollutants and use an increasing amount of renewable raw materials. Mercedes-Benz is the world's only car brand to have received Environment Certificates from an independent source, in this case the South German Technical Inspection Authority. TrueBlueSolutions also means involvement in the development of second-generation alternative fuels like SunDiesel, which is not at odds with food production. Another aspect of TrueBlueSolutions is the research discipline of **bionics**, which aims to enhance aerodynamics and reduce body weight, for example, by taking a lead from structures and designs that occur naturally. Last but not least, you can do your bit to ease the strain on the environment by adopting a suitable driving style.

## E-Class BlueEFFICIENCY

The E-Class has always provided the lead for others to follow. So it's hardly surprising that it sets such a good example when it comes to measures aimed at reducing fuel consumption and emissions. It currently has the best drag coefficient ( $C_d$  figure) in its segment, for example.

When we develop a new model, responsibility for the environment plays a crucial role. People's awareness is increasing as emissions, fuel con-

sumption and fuel prices become topics that affect us all. It is therefore only natural that most E-Class models are also BlueEFFICIENCY

models. And, far from being just a vision of a clean environment, BlueEFFICIENCY incorporates a whole raft of specific measures:



- 1 ECO start/stop function in the E 200 CGI BlueEFFICIENCY
- 2 Aerodynamic optimisation of the radiator shutter for 4-cylinder engines and E 350 CGI BlueEFFICIENCY
- 3 Alternator switched off in traction mode
- 4 Engine optimisations such as direct injection, turbocharging and downsizing
- 5 Shift point indicator for all models with manual transmission
- 6 ECO power steering pump only activated when needed
- 7 Controlled fuel pump with demand-based output
- 8 E 350 BlueTEC – the world's cleanest diesel – already meets the requirements of the EU 6 emission standard
- 9 16-inch and 17-inch wheels with optimised tyre rolling resistance
- 10 Refrigerant compressor only activated when actually needed

The measures vary depending on model and market.

## Diesel engines

Cleaner, more powerful and more economical: the new E-Class also signals the launch of the latest diesel technology. The powerful and quiet engines impress with their low emission and fuel-consumption figures.

**4-cylinder in-line engines.** The newly designed 4-cylinder diesel unit with a choice of three power outputs sets new standards in its segment by offering impressively rich torque and instantaneous response, even at low revs. What's more, the diesel engines consume less fuel, have low emissions and are both quiet and powerful.

This is made possible by a wealth of new technologies. Fourth-generation common-rail diesel technology impresses by virtue of an injection pressure increased to 2000 bar, optimised combustion chambers and extremely precise piezo injectors. High torque is available in every engine speed range thanks to the high ignition

pressure and the turbocharger, while the requisite refinement comes courtesy of two Lanchester balancer shafts. Optimised alternator management ensures consistent use of the engine's coasting phases, thus allowing recuperation of braking energy. Meanwhile the radiator shutter reduces the aerodynamic drag when the engines require only moderate cooling. The new engine generation represents a vast improvement on the already impressive equivalent engines installed in the outgoing model: output is up to 20 % higher and torque has been increased by up to 25 %, while fuel consumption and, therefore, CO<sub>2</sub> emissions are up to 23 % lower. All of which means that this engine generation meets the requirements of the EU 5

emission standard. The new 4-cylinder diesel engines are available with the following outputs:

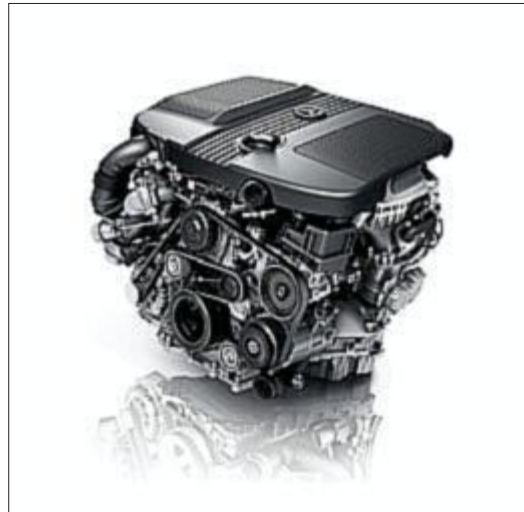
- E 200 CDI BlueEFFICIENCY developing 100 kW (136 hp) and a peak torque of 360 Nm (available from 09/2009)
- E 220 CDI BlueEFFICIENCY developing 125 kW (170 hp) and 400 Nm
- E 250 CDI BlueEFFICIENCY developing 150 kW (204 hp) and 500 Nm

**V6 engines.** The E 350 CDI BlueEFFICIENCY developing 170 kW (231 hp) is equipped with the most powerful V6 diesel engine. Precise and fast piezo injectors, a high injection pressure

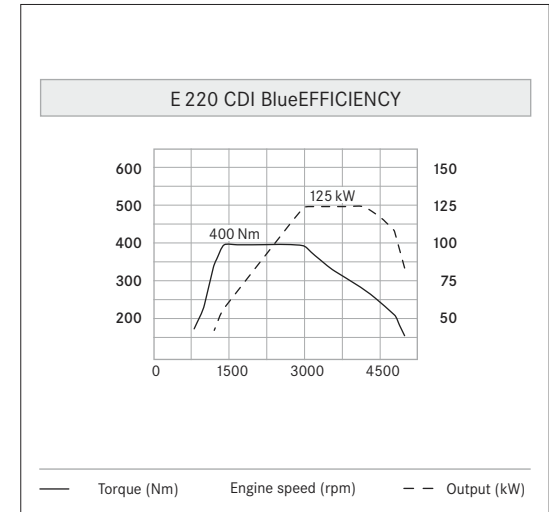


and a peak torque of 540 Nm all add up to effortlessly superior pulling power.

The modified BlueTEC technology in the E 350 BlueTEC (available from 09/2009) developing 155 kW (211 hp) has extremely low emissions. BlueTEC stands for measures aimed at optimising fuel consumption and for the cleaning and aftertreatment of exhaust gases. All of which gives this compression-ignition model the world's cleanest diesel drive system. Further hallmarks of the new E 350 BlueTec include exemplary emission figures, which already meet the requirements of future emission standards (EU 6), low fuel consumption, effortlessly superior performance and a high torque of 540 Nm.



The new 4-cylinder diesel engine is available with a choice of 3 outputs (here as the 220 CDI BlueEFFICIENCY)



The new E 220 CDI BlueEFFICIENCY posts an excellent set of output and torque figures

## Petrol engines

Mercedes-Benz offers a wide range of environmentally compatible engines. New technologies reduce fuel consumption by up to 22 %, while CO<sub>2</sub> emissions are lower than ever.

**4-cylinder in-line engines.** The optimised 4-cylinder powerplant with a displacement of 1.8 litres, direct petrol injection, variable valve timing and turbocharger comes with a choice of two outputs offering outstanding torque and power, not to mention appropriately low fuel consumption and emissions.

Fuel is used more efficiently by the direct petrol injection system thanks to almost complete combustion, while the variable valve timing allows optimum cylinder charging under all operating conditions. A welcome side effect of this process is the lower fuel consumption due to the reduced weight and less internal friction. Two balancer shafts see to it that the engines run smoothly in

every engine speed range. The 4-cylinder petrol engines come with a choice of two power outputs (available from 09/2009):

- E 200 CGI BlueEFFICIENCY developing 135 kW (184 hp) and a peak torque of 270 Nm
- E 250 CGI BlueEFFICIENCY developing 150 kW (204 hp) and a peak torque of 310 Nm

Both engines are exceptionally quiet and meet the most stringent of fuel consumption and emission requirements (EU 5).

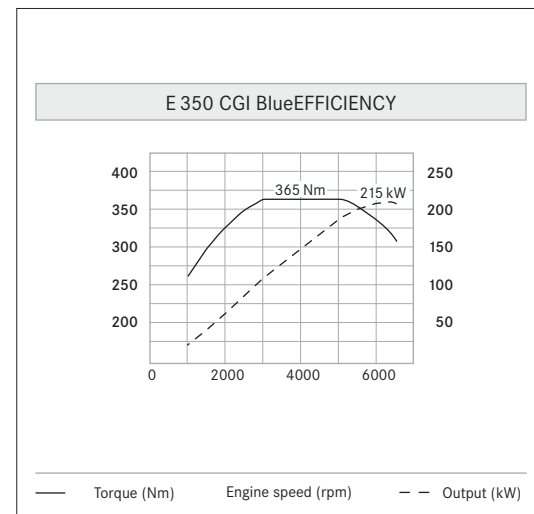
**V6 engines.** State-of-the-art technology forms the basis for the drive system in the E 350 CGI BlueEFFICIENCY: 4 valves per cylinder, variable intake and exhaust camshaft adjustment, and a balancer shaft. In addition to this, the E 350 CGI BlueEFFICIENCY features on-demand alternator management and a flexibly controlled fuel pump. Economical and ecological: the E 350 CGI BlueEFFICIENCY saves fuel, reduces CO<sub>2</sub> emissions and enhances refinement. These advantages are largely down to the second-generation direct petrol injection system from Mercedes-Benz, which operates using spray-guided combustion and high-pressure injection by means of piezo injectors. Maximum power and peak torque - 215 kW (292 hp) and 365 Nm respec-

tively – are available at 3000 rpm. This engine likewise meets the requirements of the currently applicable emission standard (EU 5). The E 350 will also be available in 4MATIC guise from autumn 2009 onwards.

**V8 engine.** Traditionally, the E 500 is the flagship model in the E-Class engine line-up. The 8-cylinder powerplant developing 285 kW (388 hp), also available as the E 500 4MATIC, delivers a peak torque of 530 Nm. The E 500 accelerates from 0 to 100 km/h in 5.2 seconds (E 500 4MATIC: 5.3 s) and achieves an electronically governed top speed of 250 km/h.



State-of-the-art engine technology featuring high-pressure direct injection with piezo injectors in the E 350 CGI BlueEFFICIENCY



The E 350 CGI BlueEFFICIENCY offers the ideal combination of harmonious power delivery, driving enjoyment and energy efficiency

## Transmissions

Whether it be a manual gearshift or an automatic, an economical or a sporty driving style – the transmissions for the new E-Class have been optimised in line with the model in which they are installed. Plus they are intuitive and ergonomic to use.

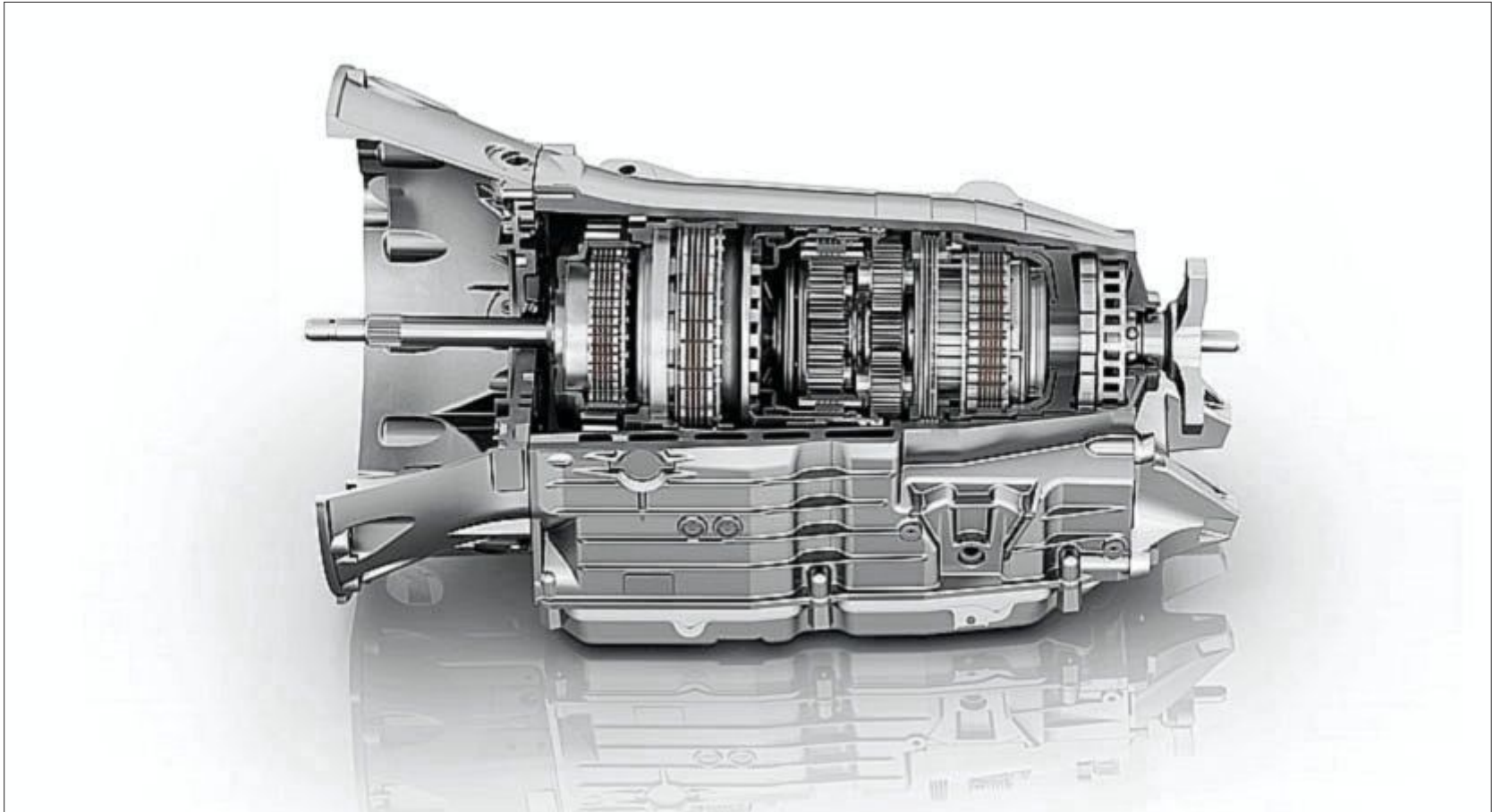
**6-speed manual transmission.** The 4-cylinder engines (with the exception of the E 250 CGI) are paired with a 6-speed manual transmission as standard, offering impressively short and precise shift travel as well as optimum tuning of the engine power, gear ratios and rear axle ratio. A display on the instrument cluster indicates recommended gear changes to further encourage a highly economical driving style.

**5-speed automatic transmission.** The 4-cylinder model is available with an optional electronically controlled 5-speed automatic transmission (standard for E 250 CGI). It has two modes allowing either an economical or a sporty driving style. Plus you can intervene manually at any time.

**7G-TRONIC.** The V6 and V8 engines come as standard with the 7G-TRONIC 7-speed automatic transmission and the DIRECT SELECT lever on the steering column. The driver can change gear using the steering wheel shift buttons or leave this job to the automatic transmission. The seven forward gears in the 7G-TRONIC allow an ideally adapted engine speed at all times, thus cutting fuel consumption, while the shorter shift times and smoother shifts make gear changes easier as well as reducing the noise level. Driving enjoyment is also enhanced: the car benefits from better acceleration and boasts more pulling power. What's more, gears can be skipped for fast in-gear acceleration.



Transmission for the V6 and V8 engine variants operated at the push of a button using the DIRECT SELECT lever on the steering wheel



The 7G-TRONIC: one of over eleven million automatic transmissions produced in a period spanning more than 40 years

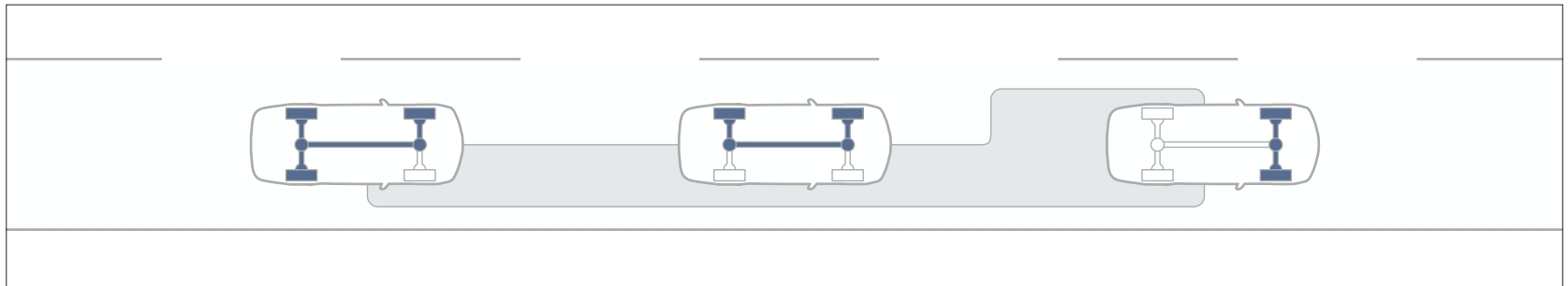
## Chassis and suspension

4MATIC permanent all-wheel drive provides the best possible traction as well as enhanced directional and driving stability. The new chassis and the air suspension really come into their own on the road, offering a high level of comfort as well as impressive agility.

**4MATIC** (optional). As 4MATIC is always active, it responds instantaneously in poor weather conditions such as rain, black ice or snow. 4MATIC is assisted by the Electronic Stability Program ESP® and the electronic traction system 4ETS. The latter enables controlled braking of spinning wheels and, as a consequence, increases the drive torque at the wheels offering good

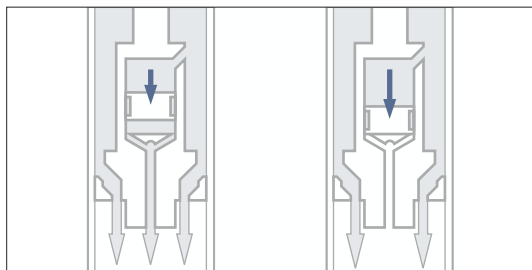
traction, allowing plenty of power to be planted on the road when moving off and when accelerating, especially on poor road surfaces. 4MATIC makes conventional differential locks superfluous: the automatic braking pulses make it easier to move off on slippery ground as well as enhancing stability during critical manoeuvres. A further advantage of the system is the fact that

it is hardly any heavier than the rear-wheel-drive version on account of the compact design, intelligent choice of materials and high level of efficiency. 4MATIC is only available in conjunction with the 7G-TRONIC automatic transmission and the V6 or V8 engines (E 350 CDI BlueEFFICIENCY, E 350 and E 500).



The electronic traction system 4ETS automatically sends the drive torque to the wheels offering sufficient grip

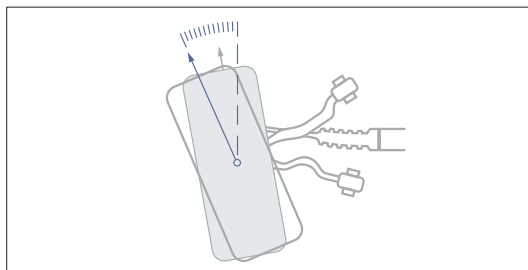
**DIRECT CONTROL suspension** (standard). The newly developed DIRECT CONTROL suspension with a selective damping system combines agility and ride comfort as the shock absorbers adjust automatically to suit the current driving situation. The enhanced damping and vehicle stability are especially beneficial on poor road surfaces. A sports-tuned version of the DIRECT CONTROL



Agility with a high level of comfort – the DIRECT CONTROL suspension adjusts the shock absorbers automatically

suspension, coupled with a body lowered by 15 mm, is available as an optional extra (standard for AVANTGARDE line and models with AMG Sports package).

**Direct-Steer system** (optional). The Direct-Steer system has a more direct steering ratio and reduces the steering effort required in the case of



The Direct-Steer system reduces the steering wheel movements required and enhances agility

large steering angles, for example when parking or taking tight bends, thus enhancing the car's agility and steering comfort. V6 and V8 models come with the Direct-Steer system fitted as standard.

**AIRMATIC** (optional). AIRMATIC air suspension, incorporating adaptive shock absorbers, adapts itself precisely in line with the current road conditions, vehicle load and driving situation. The driver can select either comfort-oriented or sporty settings manually. If necessary, the system will switch to stiffer settings of its own accord, while the ride height can be adjusted at the touch of a button. What's more, the ground clearance remains constant when the car has a load on board. AIRMATIC is available as standard equipment for the E 500 or as an optional extra for all the 6-cylinder models.

## Safe driving

In the “safe driving” phase, vehicle systems are able to intervene before an accident can occur. Like the assistance systems in the E-Class, for example: their awareness can defuse even critical situations and so forms an ideal basis for relaxed driving.

**ATTENTION ASSIST** (standard). This new drowsiness detection system is especially useful on long trips. At speeds of between 80 and 180 km/h, ATTENTION ASSIST warns the driver as soon as it detects signs of drowsiness or inattention. All thanks to sensors that analyse driving behaviour and detect any changes in it.



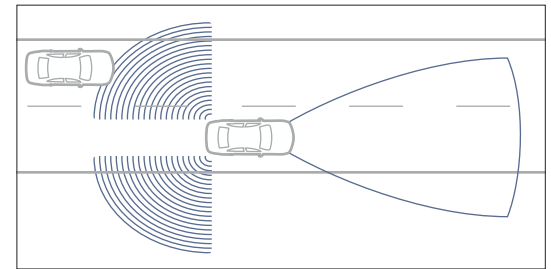
If the driver shows signs of drowsiness, ATTENTION ASSIST recommends taking a break

**Night View Assist Plus** (optional). The infrared camera at the heart of Night View Assist Plus highlights the area usually covered by main beam – in the form of a greyscale image in the central display – making it easier for drivers to get their bearings when main beam cannot be switched on, allowing them to detect people, animals or objects on or next to the earlier.



To ensure even better visibility, Night View Assist Plus highlights pedestrians on the display

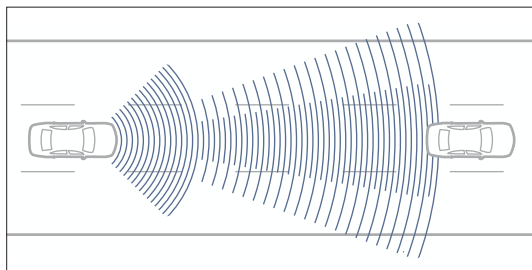
**Lane Tracking package** (optional). Lane Keeping Assist detects the white lines on the road. If the car leaves its lane unintentionally, the system can warn the driver by making the steering wheel vibrate gently. Blind Spot Assist, meanwhile, uses two radar sensors to monitor the blind spot at speeds above 30 km/h and can warn the driver against dangerous lane changes.



Lane Keeping Assist and Blind Spot Assist can warn the driver in potentially dangerous situations

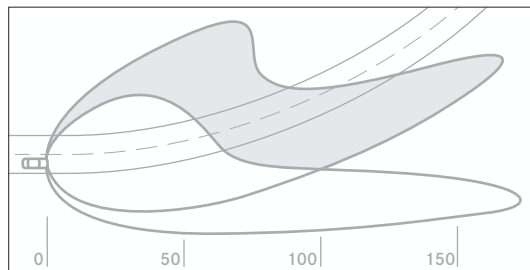


**DISTRONIC PLUS** (optional). The proximity control system DISTRONIC PLUS helps the driver to maintain the desired distance between the car and the vehicle in front by braking the car, to a standstill if necessary, and then accelerating it again. The new PRE-SAFE® Brake initiates emergency braking around 0.6 seconds before an imminent collision to reduce the severity of the accident.



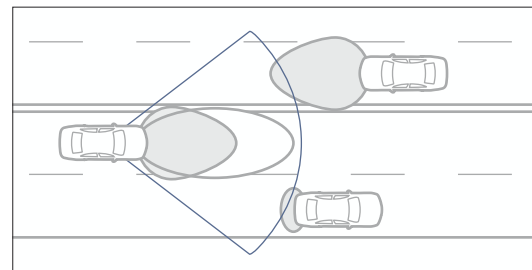
The DISTRONIC PLUS proximity control system can brake the car to a standstill, for example when driving in a queue of traffic

**Light package** (optional). The package features bi-xenon headlamps and LED daytime driving lights, allowing numerous settings to ensure optimum illumination at all times. In the case of the active light function, the headlamps with dynamic range adjustment follow the direction in which the driver is steering and, in so doing, ensure up to 90 % better illumination of all relevant areas. This makes driving at night safer,



The active light function ensures far better illumination on both tight and long bends, even when driving with just low beam on

particularly on winding routes, as pedestrians, cyclists and animals can be detected much earlier. Adaptive Highbeam Assist improves visibility at night by only dimming the main beam enough so as not to dazzle oncoming traffic or vehicles in front. The transition from main beam to low beam is almost seamless, meaning that the driver does not perceive any abrupt change in the degree of illumination.



With Adaptive Highbeam Assist the transition between low and main beam is virtually seamless

## In the event of danger or an accident

Whether an accident is imminent or unavoidable, the E-Class does everything it can to offer the driver, passengers and pedestrians an optimum level of protection. The car body with its extremely robust passenger cell provides the ideal basis for this – and new developments are being incorporated all the time.

**PRE-SAFE® system** (standard). As a precaution, the systems can activate protective measures – for example reversible belt tensioning and auto-

matic closing of the open windows and/or the optional tilting/sliding sunroof – depending on the driving situation and the vehicle equipment.

**Airbags.** Front airbags are fitted as standard in order to protect all the passengers; they are deployed in two-stages, depending on the accident severity. Driver and front-passenger sidebags and windowbags front and rear continue to be included. The kneebag can further reduce the forces exerted on the driver during an accident.

**Active Bonnet** (standard). The Active Bonnet can reduce the risk of injury to pedestrians or cyclists if they are involved in a collision with the bonnet. To cushion the blow, the bonnet is raised five centimetres at the rear by means of spring force.



Each individual component of the body has been adapted to meet stringent Mercedes-Benz safety requirements with respect to geometry, material thickness, joining techniques and material quality

## E-Guard

The E-Class with ex-factory ballistic protection continues the 80-year tradition of armoured vehicles at Mercedes-Benz. When it comes to your personal protection, the E-Guard is just the one for the job.

Like every Mercedes-Benz Guard model, the E-Guard is designed and built from scratch. It may look exactly like a series-production

model on the outside, but this outer skin conceals a whole network of protective components. In order to achieve the same structural rigidity,

dimensional accuracy, corrosion protection and surface quality as for the series-production models, the E-Guard passes through the same body stations on the assembly line.



Mobile protection – the new E-Guard: tested and certified by internationally recognised official organisations in accordance with ballistic resistance level VR4 and higher – forearmed to deal with extreme situations

One of the ballistic tests involves checking the E-Guard for resistance to projectile penetration. And it goes without saying that the car also has to pass all the usual Mercedes quality and safety tests as well as display full everyday practicality. What's more, all the safety components – such as the electronic control systems, the brakes, the chassis and the suspension – have been adapted to take into account the vehicle's heavier weight. The E-Guard is therefore a unique combination of protection and comfort, as one would expect from a Mercedes. The new E-Guard will be available from the third quarter of 2009 onwards.

## Multimedia systems

The E-Class offers a full programme of entertainment, including the Audio 50 APS or COMAND APS multimedia system, for example. It combines a radio and an MP3 player with a DVD navigation system incorporating dynamic route guidance.



COMAND APS is a combination of telephone, audio system and navigation system. All of the key functions can also be operated using the LINGUATRONIC voice-operated control system

**Audio 50 APS (optional).** This entertainment system features DVD navigation with a 2-D map display and the Traffic Message Channel (TMC).

**COMAND APS (optional).** The COMAND APS multimedia system posts all the information on a central colour display. The entire system – navigation, audio and telephone – is operated intuitively using a specially designed controller. Outstanding entertainment is provided by the DVD player, which plays video and audio DVDs as well as CDs and MP3 files.

**Harman Kardon® Logic 7® surround sound system.** Featuring fourteen loudspeakers, including a woofer, this optionally available Dolby Digital 5.1 system has an output of 600 watts – for first-class acoustics.

## Assistance systems

The E-Class has always been a car in which convenience has played a major role. And thanks to convenience-enhancing assistance systems such as Speed Limit Assist, Parking Guidance and the reversing camera, it more than lives up to this reputation.

**Speed Limit Assist** (optional). The system has the capability to detect speed-limit signs and display them in the instrument cluster, which is especially helpful on routes with variable speed limits or road works. In addition, Speed Limit Assist compares the displayed speed limits with the data stored in the navigation system.



Speed Limit Assist can also indicate variable speed limits

**Reversing camera** (optional). Excellent visibility during all parking and reversing manoeuvres: the reversing camera films the area behind the car and sends the images to the central display.



The reversing camera's wide-angle lens films the area directly around the rear of the car

**PARKTRONIC and Parking Guidance** (optional). Parking Guidance helps drivers when parking: ultrasonic sensors measure the length of spaces parallel to the car if the car drives past at a speed of 30 km/h or less. If a suitable space is found, Parking Guidance provides precise directions regarding the correct steering angle as well as the turn-in and turn-back points.



Parking Guidance indicates suitable parking spaces to the driver and provides parking directions

## Climate control

An ideal interior climate is paramount when it comes to ensuring a high level of stress-relieving safety. This is why the climate control system for the E-Class is exceptionally versatile and can be adjusted to meet the needs of each individual occupant.

**THERMATIC** (standard). The THERMATIC luxury automatic climate control system uses sensors to control the temperature for the driver and front passenger automatically. A solar sensor on the windscreen records the intensity and direction of the sun's rays, for example. Further standard features include air recirculation, a cooled glove compartment and a combination filter

capable of filtering out even fine particles. There are two additional air outlets for the rear compartment on the rear end of the centre console.

**THERMOTRONIC** (optional). The THERMOTRONIC automatic climate control system (standard for V8 models) allows the driver, front passenger and rear passenger each to set the temperature

using their own controls. Additional air outlets in the B-pillars and a compact booster fan beneath the centre console ensure the ideal temperature. What's more, the automatic mode can be adapted to meet individual needs as there are three climate styles to choose from: DIFFUSE, MEDIUM or FOCUS.

**Climatised seats for driver and front passenger** (optional). The airflow for the climatised seats has been configured to ensure a well-balanced seat climate. There is a choice of three-stage seat heating and active ventilation for cooling the seats. The output of the climatised seats is reduced automatically after certain periods.



The controls for the THERMOTRONIC luxury automatic climate control system are ergonomic and intuitive

## Seats

Seats that meet an exceptionally wide range of requirements in terms of seating comfort, ergonomic design and safety have been developed for the new E-Class.

**Luxury individual rear seats** (optional). First-class comfort abounds in the rear of the new E-Class. Highlights include luxury individual rear seats, luxury head restraints and a centre stowage box. This optional extra is part of the

rear comfort package, which also includes leather upholstery, heated seats, manually operated sun visors on the rear doors, electric roller blinds for the rear windows and drinks holders integrated in the armrest.



The optional individual rear seats feature exceptional lateral support, additional contour upholstery and a centre console

**Active Multicontour Front Seat package with massage and dynamic handling function** (optional). The active multicontour seats provide the driver and front passenger with optimum support. Separately controllable air chambers adapt to fit the individual occupant's stature perfectly, while the seat's side bolsters adjust automatically and dynamically to suit the current driving situation. Further-enhanced comfort is assured by a 7-zone dynamic massage function and pneumatic adjustability of the seat cushion length, the side bolsters and the lumbar support.

**Memory package** (optional). The front seats are available with full electrical adjustment as an optional extra. The switches for this are clearly arranged in the doors. If the Memory package is ordered, three position settings can be stored for the driver's seat, steering column and exterior mirrors.





## Standard equipment

When it comes to standard equipment, the E-Class is a first-class car with impressive visual and technological attributes, such as LED tail lights, a chromed radiator grille and a high-quality, harmonious interior.



---

### EXTERIOR

---

16-inch 9-spoke light-alloy wheels (17-inch for 4MATIC)

---

Bumpers and side trim in vehicle colour

---

LED tail lights (except indicator lights)

---

Radiator grille in bumper and front fog lamp surrounds in black

---

Radiator grille in stone grey with 3 chromed louvres

---

Waistline trim strip in black aluminium

---

### INTERIOR

---

Eucalyptus wood trim elements (optionally in embossed aluminium)

---

Instrument cluster with 5 analogue circular instruments

---

Multifunction steering wheel in nappa leather with 12 push-buttons, 4 spokes and 2 chrome highlights

---

"Lyons" fabric upholstery, seat design with horizontal seamlines

---



Standard equipment includes a choice of seat covers in either fabric, ARTICO man-made leather or genuine leather. There are also two upholstery colours to choose from in each case (see right), with the same upholstery being used for the inside of the doors. The remainder of the interior is kept in elegant black.

---

#### BLACK/BLACK

---

- 001 "Lyons" fabric
- 101 ARTICO man-made leather
- 201 Leather

---

#### BLACK/ALPACA GREY

---

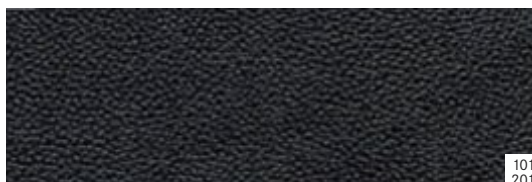
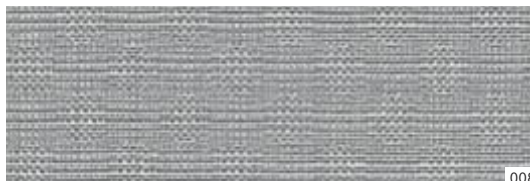
- 008 "Lyons" fabric
- 108 ARTICO man-made leather
- 208 Leather

---

#### TRIM ELEMENTS

---

- 734 Eucalyptus wood (standard)
  - 739 Embossed aluminium (optional)
-





## ELEGANCE line

The ELEGANCE line emphasises the elegant side of the E-Class. Exterior features that catch the eye straight away include the polished chrome highlights, while the harmonious interior features an impressive mix of leather, fine trim elements and wood inlays.




---

### EXTERIOR

16-inch 10-twin-spoke light-alloy wheels (17-inch for 4MATIC)

Chrome trip strips on the sides and on the front and rear bumper

Front fog lamps and daytime driving lights with chrome surrounds

Radiator grille in metallic silver with 4 chromed louvres

Waistline trim strip in polished stainless steel

---

### INTERIOR

Ambient lighting in the front – behind the trim elements and in the doors

Burr walnut wood trim elements (optionally in brown open-pore ash wood)

Illuminated stowage box in centre console and centre armrest

Stowage box under the front seats

“Toulon” fabric upholstery, seat design with vertical seamlines

---



As an alternative to fabric, the seat covers and insides of the doors can also be upholstered in ARTICO man-made leather, leather or nappa leather (Exclusive package). The dashboard, carpets and roof lining match the selected interior colour perfectly.

---

#### BLACK/BLACK

---

- 401 "Toulon" fabric
- 101 ARTICO man-made leather
- 201 Leather
- 801 Nappa leather<sup>1</sup>

---

#### REEF GREY/ALPACA GREY

---

- 408 "Toulon" fabric
- 108 ARTICO man-made leather
- 208 Leather
- 808 Nappa leather<sup>1</sup>

---

#### MOCHA BROWN/ALMOND BEIGE

---

- 105 ARTICO man-made leather
- 205 Leather
- 805 Nappa leather<sup>1</sup>

---

#### TRIM ELEMENTS

---

- 731 Burr walnut wood (standard)
  - H09 Brown open-pore ash wood (optional)
- 

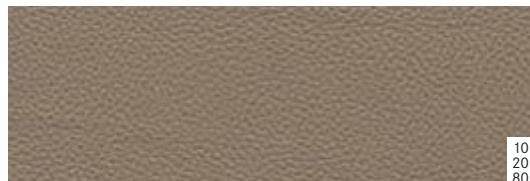
<sup>1</sup> Nappa leather only available in conjunction with the Exclusive package



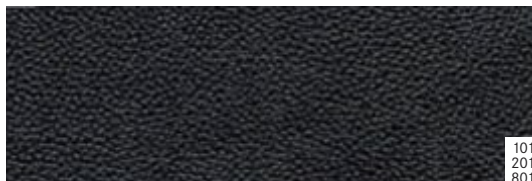
401



408



105  
205  
805



101  
201  
801



108  
208  
808



731



H09





## AVANTGARDE line

The AVANTGARDE line lends the E-Class a distinctly sporty character. The exterior is more dynamic, more striking and bolder.



---

### EXTERIOR

---

17-inch 5-twin-spoke light-alloy wheels

---

Body lowered by 15 mm

---

Chrome trim strips on sides and on rear bumper

---

Light package

---

Radiator grille painted black, with 3 chromed louvres

---

Waistline trim strip in polished stainless steel

---

### INTERIOR

---

Ambient lighting in the front – behind the trim elements and in the doors

---

“Biarritz” fabric / ARTICO man-made leather upholstery, seat design with horizontal seamlines

---

Dark ash wood trim elements (optionally in brushed aluminium)

---

Illuminated stowage box in centre console and centre armrest

---





The upholstery is trimmed in a combination of ARTICO man-made leather and fabric (standard) or with optional genuine leather or nappa leather (Exclusive package). The entire interior is trimmed in your selected colour or colour combination. In addition to this, the steering wheel and the shift/selector lever are trimmed in nappa leather.

---

#### BLACK/BLACK

---

701 ARTICO man-made leather / "Biarritz" fabric

201 Leather

801 Nappa leather<sup>1</sup>

---

#### BLACK/ALPACA GREY

---

708 ARTICO man-made leather / "Biarritz" fabric

208 Leather

808 Nappa leather<sup>1</sup>

---

#### BLACK/ALMOND BEIGE

---

205 Leather

805 Nappa leather<sup>1</sup>

---

#### BLACK/NATURAL BEIGE

---

264 Leather

---

#### BLACK/CHESTNUT BROWN

---

254 Leather

---

#### TRIM ELEMENTS

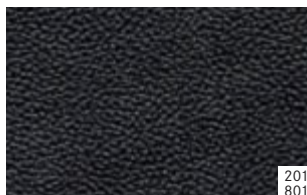
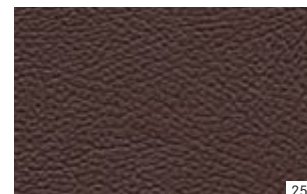
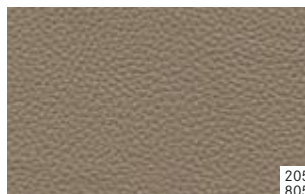
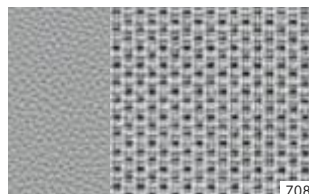
---

736 Dark ash wood (standard)

H76 Brushed aluminium (optional)

---

<sup>1</sup> Nappa leather only available in conjunction with the Exclusive package





## Exclusive package

The finest materials and elegant visual touches – the Exclusive package adds an extra aura of refinement to the high-quality interior of the ELEGANCE and AVANTGARDE lines.



---

### INTERIOR

---

Black, grey or beige as interior colours

---

Dashboard and upper door panelling with high-quality trim and visible topstitching

---

Roof lining, pillars and sun visors in Alcantara (grey or beige)

---

Seats with nappa leather upholstery in black, grey or beige (door panelling in ruffled leather)

---

Velour floor mats with nubuck strip in appointments colour

---



## AMG Sports package

This makes the E-Class even more dynamic. From the AMG sports steering wheel to the AMG bodystyling – it's emphatically sportier.

### EXTERIOR

18-inch AMG twin-spoke light-alloy wheels

AMG bodystyling, front apron, rear apron and side skirts

DIRECT CONTROL suspension, sports tuning, lowered body

Front axle with perforated brake discs and Mercedes-Benz lettering on brake callipers

Oval tailpipe trim in polished stainless steel for 4-cylinder models

Rectangular tailpipe trims in polished stainless steel integrated in the bumper for 6/8-cylinder models

### INTERIOR

AMG 3-spoke sports steering wheel in nappa leather

Black roof lining (in conjunction with AVANTGARDE line or black appointments)

Brushed stainless steel sports pedals with rubber studs

DIRECT SELECT shift paddles and manual shift mode (M) in conjunction with automatic transmission

Front sports seats in DINAMICA microfibre/ARTICO man-made leather in black with light double topstitching

Floor mats with AMG lettering



Optional leather appointments shown



## Paintwork

The innovative paint system developed by Mercedes-Benz includes one of the best clearcoats on the automotive market and is a key factor behind the car's excellent value retention. The secret lies in the exceptionally dense molecular structure, which makes both the metallic and the non-metallic clearcoats more resistant and produces a longer-lasting and visibly more intensive shine.

---

### NON-METALLIC PAINTS

---

040 black

650 calcite white

---

### METALLIC PAINTS

---

197 obsidian black

230 indigolite blue (available from 06/2009)

300 periclase green

359 tanzanite blue

755 tenorite grey

775 iridium silver

792 palladium silver

794 pearl beige

963 indium grey

---

### SPECIAL METALLIC PAINT

---

497 cuprite brown

---

### NON-METALLIC PAINTS



040



650

### METALLIC PAINTS



197



230

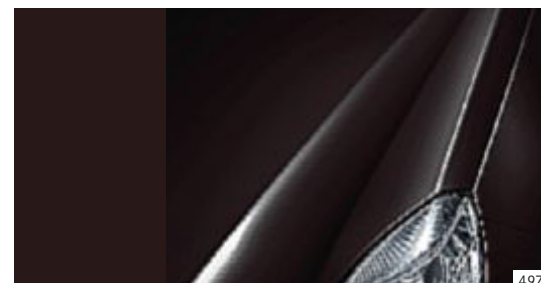


300





SPECIAL METALLIC PAINT



## Standard equipment | Selection



Central display



Audio 20 radio



THERMATIC automatic climate control



Multifunction steering wheel in nappa leather with chrome inserts



6-speed manual transmission



LED tail lights (except indicator lights)

## Optional extras | Selection



COMAND APS multimedia system



Full-glass roof with outside-sliding sunroof



Glass tilting/sliding sunroof



EASY-PACK luggage compartment box



KEYLESS-GO package (start/stop button)



Bi-x. headlamps/LED daytime driving lights (standard on AVANTGARDE)

## Wheels



16-inch 9-spoke light-alloy wheel  
(standard)



16-inch / 17-inch 10-twin-spoke light-alloy wheel (16-inch standard for ELEGANCE, 17-inch optional or standard for E 500)



17-inch 5-twin-spoke light-alloy wheel  
(AVANTGARDE)



16-inch / 17-inch 5-twin-spoke light-alloy wheel with high-sheen finish (optional extra, Code R 78 or R 48)



18-inch 5-spoke light-alloy wheel  
(optional extra, Code R 32)



18-inch AMG twin-spoke light-alloy wheel with high-shine finish  
(optional extra, AMG Sports package)



16-inch 7-spoke light-alloy wheel  
(incenio designer wheel)



17-inch 8-spoke light-alloy wheel  
(incenio designer wheel)



17-inch 5-spoke light-alloy wheel  
(incenio designer wheel)



18-inch 5-spoke light-alloy wheel  
(incenio designer wheel)



The new Kidfix child seat provides an exceptional level of safety for even the youngest of occupants

## Genuine accessories

A Mercedes-Benz is more than just a car. It can be a travel companion, an office, a living space. And this diversity is reflected in the Mercedes-Benz accessories range.

One particularly important aspect is the safe transport of bulky objects such as bicycles, skis or large items of luggage. There is a range of reliable and flexible rack systems available for such tasks. Entertainment is also provided for, for example in the shape of the Mercedes-Benz iPod® Interface kit. It puts you fully in control: you operate your iPod® using the multifunction steering wheel and the familiar iPod® structure, while all the important information is displayed in the instrument cluster. The iPod® is re-charged during use and sits in the glove compartment, away from prying eyes.

The Kidfix child seat is ideal for children aged between around 3½ and 12 years (15 to 36 kg). The raised seat and height-adjustable backrest ensure optimum side impact protection. As well as being fastened using the 3-point seat belt, the Kidfix seat can be attached to the ISOFIX mountings and is optionally available with automatic child seat recognition. Practical features include the removable and washable cover with its “DaimlerSquare” design.

Please consult our special brochures or your Mercedes-Benz dealer for further details on the extensive range of genuine accessories.



The robust clothes hanger in chromed metal can simply be attached to the head restraint on the driver's or front passenger seat in order to transport clothes without creasing them

## Technical data

No. of cylinders/arrangement
Total displacement (cc)
Rated output <sup>1</sup> (kW at rpm) (automatic transmission)
Compression ratio
Rated torque <sup>1</sup> (Nm at rpm) (automatic transmission)
Acceleration from 0–100 km/h (s) (automatic transmission)
Top speed approx. (km/h) (automatic transmission)
Tyre size – front axle, rear axle
Fuel
Fuel consumption <sup>3</sup> (l/100 km) urban (automatic transmission)
extra-urban (automatic transmission)
combined (automatic transmission)
CO <sub>2</sub> emissions <sup>3</sup> (g/km), combined (automatic transmission)
Tank capacity (l)/incl. reserve, approx.
Boot capacity (l)
Turning circle diameter (m)
Kerb weight <sup>4</sup> (kg) (automatic transmission)
Perm. GVW (kg) (automatic transmission)

### DIESEL ENGINES

E 200 CDI BlueEFFICIENCY <sup>5,7</sup>	E 220 CDI BlueEFFICIENCY <sup>6,7</sup>	E 250 CDI BlueEFFICIENCY <sup>7</sup>	E 350 CDI BlueEFFICIENCY <sup>7</sup>	E 350 BlueTEC <sup>5,7</sup>
4/in-line	4/in-line	4/in-line	6/V	6/V
2143	2143	2143	2987	2987
100/2800–4600 (100/2800–4600)	125/3000–4200 (125/3000–4200)	150/4200 (150/4200)	– (170/3800)	– (155/3800)
16.2	16.2	16.2	15.5	16.5
360/1600–2600 (330/1600–2800)	400/1400–2800 (400/1400–2800)	500/1600–1800 (500/1600–1800)	– (540/1600–2400)	– (540/1600–2400)
10.7 (10.4)	8.6 (8.0)	7.9 (7.2)	– (6.8)	– (7.3)
215 (212)	231 (229)	242 (240)	– (248)	– (239)
205/60 R 16	205/60 R 16	225/55 R 16	225/55 R 16	225/55 R 16
Diesel	Diesel	Diesel	Diesel	Diesel
n/a (n/a)	6.9–7.0 (8.1–8.3)	6.9–7.0 (8.1–8.3)	– (8.9–9.4)	– (n/a)
n/a (n/a)	4.4–4.6 (4.7–5.0)	4.4–4.6 (4.7–5.0)	– (5.5–5.8)	– (n/a)
5.3 (5.3)	5.3–5.5 (6.0–6.2)	5.3–5.5 (6.0–6.2)	– (6.8–7.1)	– (7.0)
139 (139)	139 (159–164)	139–142 (159–164)	– (179–186)	– (183)
59/8	59/8	59/8	80/9	80/9
540	540	540	540	540
11.25	11.25	11.25	11.25	11.25
1720 (1735)	1735 (1735)	1735 (1735)	– (1825)	– (1845)
2255 (2255)	2270 (2270)	2280 (2280)	– (2350)	– (2370)

<sup>1</sup> Figures according to Directive 80/1269/EEC in the currently applicable version (applicable version). The figures are not based on an individual vehicle and do not constitute part of the product offer; they are provided solely for purposes of comparison between different vehicle models

<sup>2</sup> Electronically governed

<sup>3</sup> The figures shown are obtained in accordance with the prescribed measuring process (Directive 80/1268/EEC in the currently applicable version).



**E 350 CDI 4MATIC****BlueEFFICIENCY<sup>5,7</sup>**

6/V
2987
-
(170/3800)
15.5
-
(540/1600-2400)
- (6.9)
- (245)
245/45 R 17
Diesel
- (n/a)
- (n/a)
- (7.3)
- (n/a)
80/9
540
11.25
- (1890)
- (2415)

**PETROL ENGINES****E 200 CGI****BlueEFFICIENCY<sup>5,7</sup>**

<b>E 200 CGI BlueEFFICIENCY<sup>5,7</sup></b>	<b>E 250 CGI BlueEFFICIENCY<sup>5,7</sup></b>	<b>E 350 CGI BlueEFFICIENCY<sup>7</sup></b>	<b>E 350 4MATIC<sup>5,7</sup></b>	<b>E 500<sup>7</sup></b>	<b>E 500 4MATIC<sup>5,7</sup></b>
4/in-line	4/in-line	6/V	6/V	8/V	8/V
1796	1796	3498	3498	5461	5461
135/5250	-	-	-	-	-
(135/5250)	(150/5500)	(215/6400)	(200/6000)	(285/6000)	(285/6000)
9.8	9.3	12.2	10.7	10.7	10.7
270/1800-4600	-	-	-	-	-
(270/1800-4600)	(310/2000-4300)	(365/3000 - 5100)	(350/2400-5000)	(530/2800-4800)	(530/2800-4800)
8.5 (8.4)	- (7.5)	- (6.2)	- (6.6)	- (5.2)	- (5.3)
236 (233)	- (242)	- (250) <sup>2</sup>	- (250) <sup>2</sup>	- (250) <sup>2</sup>	- (250) <sup>2</sup>
205/60 R 16	225/55 R 16	225/55 R 16	245/45 R 17	245/45 R 17	245/45 R 17
Premium unleaded	Premium unleaded	Premium unleaded	Premium unleaded	Premium unleaded	Premium unleaded
n/a (n/a)	- (n/a)	- (12.4-12.5)	- (n/a)	- (16.4-16.7)	- (n/a)
n/a (n/a)	- (n/a)	- (6.3-6.6)	- (n/a)	- (7.7-8.0)	- (n/a)
6.6 (7.1)	- (7.3)	- (8.5-8.8)	- (n/a)	- (10.9-11.2)	- (11.4)
159 (169)	- (175)	- (199-205)	- (n/a)	- (256-261)	- (n/a)
59/8	59/8	80/9	80/9	80/9	80/9
540	540	540	540	532	532
11.25	11.25	11.25	11.25	11.25	11.25
1615 (1615)	- (1650)	- (1735)	- (1805)	- (1830)	- (1880)
2150 (2150)	- (2185)	- (2280)	- (2330)	- (2375)	- (2425)

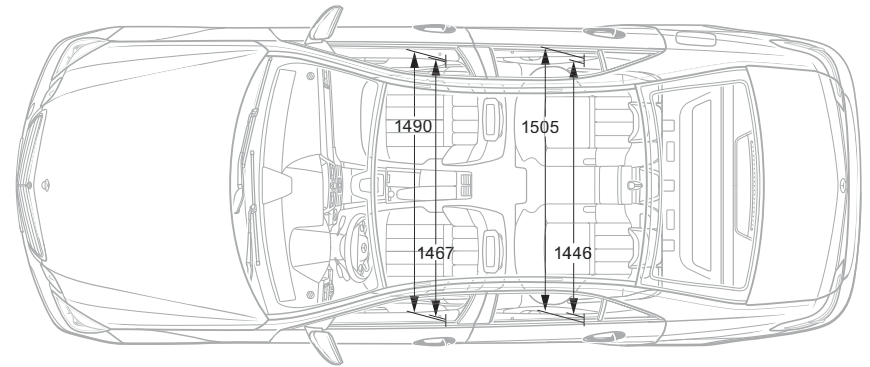
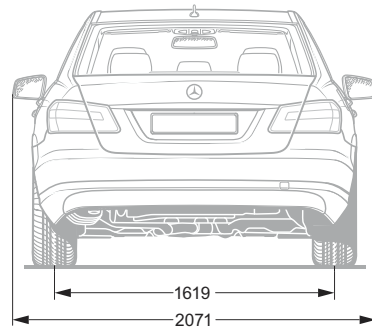
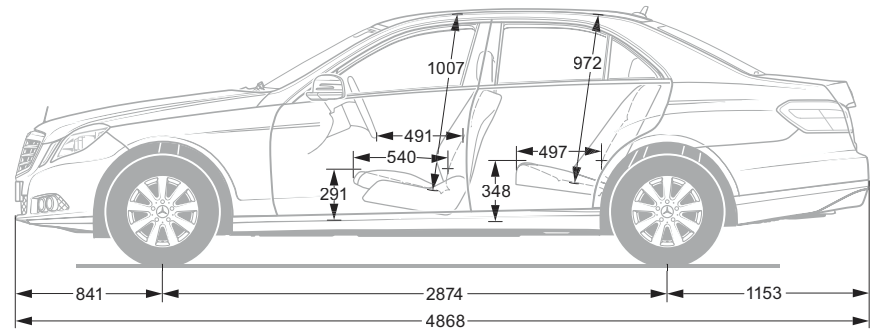
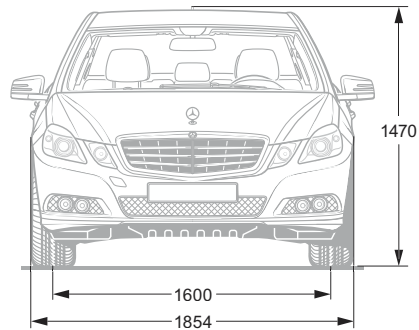
<sup>4</sup> Figures according to Directive 92/21/EC, version 95/48/EC (kerb weight with fuel tank 90 % full, driver, 68 kg, and luggage, 7 kg) for standard-specification vehicles. Optional extras and accessories will generally increase this figure and reduce the payload capacity accordingly

<sup>5</sup> Expected to be available from 09/2009

<sup>6</sup> Available from 03/2009 with automatic transmission and expected to be available from 09/2009 with manual transmission

<sup>7</sup> Provisional figures, as of 30.01.2009

# Dimensions



All measurements in millimetres. The dimensions shown are mean values and apply to standard-specification, unladen vehicles.

## Services

**Experience Mercedes-Benz at first hand.** It all started in Berlin at the end of 2000: the concept of the car dealership was reinvented with the opening of the first Mercedes-Benz Center. Featuring the entire Mercedes-Benz model line-up as well as the accessories range, brand merchandise and an attractive programme of events, the Centers – now to be found in many of Europe’s major cities – offer a welcoming environment in which to experience the brand at first hand. But it’s not just in large cities that you can experience the legendary Mercedes-Benz brand and service. A close-knit network of company-owned sales and service outlets and authorised dealers ensures that you are never far from the wide range of services, the comprehensive customer care and the high quality which you expect from Mercedes-Benz. And you can count on their support at every stage – before you buy your Mercedes, during the purchase process and, most importantly, for a long time afterwards too.

**Mercedes-Benz Museum.** More than 120 years of automotive history in one place – this is what awaits you at the Mercedes-Benz Museum in Stuttgart. Experience the unique excitement first hand, and embark upon a thrilling journey through time. Housed inside an architecturally impressive building, over 1500 exhibits on nine levels give you an insight into the unique tradition and powers of innovation of the Mercedes-Benz brand. Plus you can see the world’s first two cars in the shape of the Benz patent motor car and the Daimler motorised carriage – both from the year 1886. Two linked circuits take you from the beginnings of the car, past a series of unforgettable classics, through 100 years of motor-racing history and, finally, on to a glimpse of what the future holds – all in an area covering a total of 16,500 square metres. Enjoy the unique brand experience. We look forward to your visit.

**MercedesCard.** The card is your ticket to the Mercedes-Benz experience: the MercedesCard Journal ARGENTUM appears quarterly and features an exclusive selection of exciting experiences involving the Mercedes-Benz brand; then there is the Mercedes Magazine with its fascinating reports and articles. But the MercedesCard also has many other uses: as a VISA credit card, it is an internationally accepted means of payment. Answer the annual questionnaire and we’ll even waive the card fee. Plus the card offers further benefits to provide you with peace of mind, such as the Mercedes-Benz insurance package at no extra charge and the exclusively compiled MercedesCard insurance package at a preferential price. Further details of these deals available exclusively to Mercedes-Benz drivers can be found at [www.mercedes-benz.de/mercedescard](http://www.mercedes-benz.de/mercedescard)<sup>1</sup>

<sup>1</sup> Information about the MercedesCard in Austria and Switzerland can be found on the Mercedes-Benz websites for these countries

**Mercedes-Benz Service 24h.** The feel-good factor, which kicks in when you sit behind the wheel of your new Mercedes for the first time, is further enhanced by the knowledge that Mercedes-Benz Service24h is there for you around the clock – 365 days a year. Experience shows that your Mercedes model is extremely unlikely to suffer a technical problem or breakdown. And even if the unthinkable happens, you can always count on us, wherever you are in Europe. Just call our service hotline on 00800 1 777 7777<sup>1</sup> at any time and one of our specialists will be there to help you. And the newly integrated “Mercedes-Benz Contact” telematics service assures you even better customer service. That’s because Mercedes-Benz Contact<sup>2</sup> allows you to phone the Mercedes-Benz Customer Centre directly at the push of a button. Mercedes-Benz Contact is the very first number entered in your audio system’s phone book. One of the highlights of

this system is a feature that transfers all the relevant vehicle and positioning data to the Customer Centre automatically so that the person dealing with your case has all the important information to hand right from the start. So you can be sure of the quickest response time, individual service and fast on-the-spot assistance.

**Mercedes-Benz Bank.** If you’ve already lined up your dream car and want to remain financially flexible, the Mercedes-Benz Bank is just the ticket. We are your one-stop shop for leasing, financing, insurance and service packages. Private Leasing Plus, for example, gives you a complete package comprising leasing, third-party insurance and fully-comprehensive insurance as well as a purchase option. Meanwhile, our Plus3 financing gives you low repayment rates and plenty of flexibility. That’s because, at the end of the contract, you yourself decide whether to keep the car, sell it privately or return it to us at a guaranteed residual value. In addition to this, we can offer you a range of attractive investment products such as instant-access savings accounts, fixed-interest products and investment funds. For further information, please call 01803/32 22 65<sup>3</sup> or visit [www.mercedes-benz-bank.de](http://www.mercedes-benz-bank.de)

<sup>1</sup> Freephone number, mobile-phone rates may vary

<sup>2</sup> Prerequisite: ex-factory radio linked up to an operable mobile phone. The only charge incurred is the cost of the mobile phone call to a landline

<sup>3</sup> 9 ct./min. from Deutsche Telekom landlines, mobile-phone rates may vary

**Test drive.** A Mercedes-Benz is most at home on the road. This is the only way to experience the effortlessly superior driving feel that lends every Mercedes model its inimitable class. Feel the power of the engine as it propels the car forwards. And marvel at the precise steering, designed to put you right in the mood for driving. Experience what real comfort feels like. The special atmosphere of a drive in a Mercedes cannot be put into words, however. Which is precisely why we'd like to invite you to take a test drive. Your Mercedes-Benz dealer will be happy to make all the necessary arrangements for you. Simply visit [www.mercedes-benz.de](http://www.mercedes-benz.de) and click on the 'Dealer search' function. The search screen that then appears will help you to locate your nearest Mercedes-Benz dealer. We look forward to your visit.

**Interactive Owner's Manual.** You can familiarise yourself with your desired model online by taking our interactive tour. Climb on board and use the simulators to get to know your dream car. You can experience key functions in detail, take a close look at the inner workings of the car or find out about the benefits of each model. For further details, go to:  
[www.mercedes-benz.de/owners-manual](http://www.mercedes-benz.de/owners-manual)

**Mobile Marketing.** Now you can access the entire world of Mercedes-Benz from your mobile phone. As well as an overview of all the passenger car models, there are insights into the entire brand world along with a wealth of entertainment offers and direct links to our range of services at [www.mercedes.mobi](http://www.mercedes.mobi)

**Take-back of end-of-life vehicles.** Coming full circle. At the end of its long life, you can return your E-Class to us for environment-friendly disposal in accordance with the EC End-Of-Life Vehicle Directive<sup>1</sup>. But that day lies a long way off.

<sup>1</sup> Applies in accordance with national regulations to vehicles up to 3.5 tonnes gross weight. Mercedes-Benz passenger cars have met the statutory regulations governing the suitability of their design for reuse and recycling for a number of years now. A network of vehicle take-back depots and dismantlers has been established which will process your vehicle in an environment-friendly manner. The ways in which both vehicles and parts can be recovered are subject to ongoing development and improvement. Consequently, the E-Class will be able to comply with any future increases in the recycling quota within the stipulated time limits. For further information, please call 00800 1 777 7777.

**Please note:** changes may have been made to the product since this brochure went to press (30.01.2009). The manufacturer reserves the right to make changes to the design, form, colour and specification during the delivery period, provided these changes, while taking into account the interests of the vendor, can be deemed reasonable with respect to the purchaser. Where the vendor or the manufacturer uses symbols or numbers to describe an order or the subject of an order, no rights may be derived solely from these. The illustrations may show accessories and items of optional equipment which are not part of standard specification. Colours may differ slightly from those shown in the brochure, owing to the limitations of the printing process. This brochure has been compiled by Daimler AG of Germany and is distributed internationally. It provides a general indication of the range of models, features, optional extras and/or colours available in various countries. Some of the models, features, optional extras and/or colours shown may not be available in your country or may only be available in a different specification. Additionally some models, features, optional extras and/or colours may only be available in combination with others. For current and more specific information in relation to the range of models, features, optional extras and/or colours available in your country, and their pricing, you should contact your nearest authorised Mercedes-Benz Passenger Car Dealer.  
[www.mercedes-benz.com](http://www.mercedes-benz.com)