



The Redesigned 2010 **GL-Class**

Mercedes-Benz





Exclusive luxury, for seven.

The underlying theme of the stunningly redesigned GL-Class can be summed up in one single word: More. More luxury, more technology, more presence. On the outside, the appearance of the new GL-Class has been vividly refreshed with even more to draw the eye. Its commanding shape and muscular lines demand attention and exude authority, even while it lies in wait on your driveway. To further accentuate its look, the finest materials and gleaming chrome highlights adorn a model that remains matchless when it comes to both size and versatility.

Inside, the GL-Class pampers up to seven occupants with its elegant design and exceptional comfort. For the driver, new instrumentation offers the unique blend of freedom and luxury that you'll only find in a Mercedes-Benz. Yes, while the Redesigned 2010 GL-Class can be summed up in a single word, describing the feeling you get from driving one will be nearly impossible, and the joy you'll receive from owning one will leave you at a loss.

The GL-Class

DESIGN	
Exterior	4
Interior	6
Entertainment and Communication	8
Versatility	10
<hr/>	
4MATIC™	12
<hr/>	
AGILITY	
Engines	14
Transmissions	16
Handling	18
<hr/>	
BlueEFFICIENCY	
BlueTEC	20
<hr/>	
SAFETY	22
<hr/>	
COLOURS AND MATERIALS	
Paint, combination options	28
Upholstery and trim	30
<hr/>	
EQUIPMENT	
Wheels	32
Equipment listing	34
<hr/>	
ACCESSORIES	36
<hr/>	
TECHNICAL FEATURES	
Technical data	37
<hr/>	
MERCEDES-BENZ OWNERSHIP	38
<hr/>	
MERCEDES-BENZ WEBSITE	39
<hr/>	
TEST DRIVE	40
<hr/>	





Redesigned and redefined.

The GL-Class' ambitiously redesigned exterior combines smooth curves with distinctive contours and noticeably powerful elements. On the front end, a revamped radiator grille, bumper, and underguard give the GL-Class a commanding design, emphasizing the vehicle's functionally significant and domineering character. The solid, imposing side view gives the impression of extended length, and ensures good visibility from every angle.

The equally redesigned rear section of the GL-Class evokes a sense of calm, assured power on the road. With the addition of an innovative new bumper design integrating the tailpipes, and with the newly redesigned underguard, the clearly structured rear of the GL-Class promotes authority and ability.

Not to be outdone by the new LED daytime running lights, the bold disposition of the GL-Class is set off by a number of chrome highlights. Chrome beltline moulding accentuates its prominent lines. Chrome front and rear underguards make for an appealing contrast with the vehicle's body colour. And to top it all off, the new chrome roof rails give the GL-Class the regal appearance it commands when light from the sun readily glances off them.

Needless to say, the Redesigned GL-Class will never go unnoticed, and neither will its driver.





Feel at home in your own private lounge.

Everything inside the GL-Class is focused on the comfort and well-being of its passengers. The interior impresses not only with a wealth of fine materials, but also by its abundance of space, all of which is highlighted perfectly by the ambient lighting and further refined by a whole host of distinct options and extras.

Up to seven people can relax in the splendour of the GL-Class' full-sized, ergonomically optimized seats. Both the driver and front passenger will revel in the heated, 10-way adjustable seats boasting 3-position memory settings. Not to be forgotten, ample head and leg room, coupled with amazing all-around visibility for all passengers result in a relaxing journey.

The GL-Class features a wide array of interior finishes, including interior chrome accents, high-gloss Burl Walnut wood trim and hand-fitted leather upholstery¹. The dual-zone THERMATIC automatic climate control comes standard, and allows the driver and front passenger to control their own individual settings. For an even more ideal driving environment, upgrade to our three-zone THERMOTRONIC automatic climate control system² which provides rear climate controls, additional climate control booster and sensors to monitor sunlight intensity and moisture, as well as a sophisticated air filter for dust and pollutants.

¹Standard on the GL450 4MATIC™ and the GL550 4MATIC™. Available as a stand alone option on the GL350 BlueTEC 4MATIC™ in conjunction with the Interior Lighting Package. ²Only available as part of the Rear Climate Control Package on all models.





Indulge your senses.

In the GL-Class, we've taken entertainment to the same level as we've taken comfort and driving enjoyment. Technology and convenience go hand-in-hand to offer you the most advanced features and functions available, coupled with the simplest and safest way to access them.

You'll survey all the cockpit controls in a single glance thanks to our multifunctional COMAND display screen in the centre console. The COMAND APS with hard-drive based (HDD) navigation¹ ensures you'll never lose your way, or directs you on a different route should you want to spend more time in your GL-Class. You'll also appreciate the integrated Media Interface,² which gives you 3 different connection cables: one for your iPod,[®] another with a USB input for your memory stick, and an auxiliary audio input. You can control all of your devices using the multifunction buttons on your steering wheel or via the in-dash stereo – featuring a 610-watt harman/kardon[®] LOGIC[®] surround system² and an MP3-compatible 6-disc DVD changer.

Other premium interior features include: SIRIUS Satellite Radio,³ featuring 120 channels, including 100% commercial-free music from every genre, plus sports, news, talk and comedy – all with crystal-clear, coast-to-coast coverage, Bluetooth connectivity and power-adjustable steering column.

All in all, the GL-Class' interior features leave nothing to be desired.

To make your ride even more enjoyable, the optional Rear-Seat Entertainment System featuring dual 8" colour screens with individual wireless headphones will ensure that the person lucky enough to be behind the wheel isn't the only one being entertained.



¹Standard on the GL450 4MATIC™ and the GL550 4MATIC™. Only available as part of an option package on the GL350 BlueTEC 4MATIC™. ²Standard on the GL450 4MATIC™ and the GL550 4MATIC™. Available as a stand alone option on the GL350 BlueTEC 4MATIC™. ³ © 2009 SIRIUS Satellite Radio Inc. "SIRIUS," the SIRIUS dog logo and related marks are trademarks of SIRIUS Satellite Radio Inc. Complimentary 6 months of service included. Monthly subscription required for service thereafter.







Enjoy those wide-open spaces.

At first glance, the GL-Class is indeed a prodigious SUV. But what's more impressive is how versatile it is inside, making great use of every litre of cargo space.

For starters, the third row of seats electrically folds down to free up 1,240 litres of extra storage behind the second row seats. With the second and third rows collapsed, the GL-Class has a cargo capacity of 2,300 litres, giving you room to pack almost anything.

But the GL-Class goes much further than this: you can even have the hard work taken out of loading the vehicle by opting for our EASY-PACK power tailgate! The EASY-PACK power tailgate opens and closes at the push of a button and can be halted in any position. Stowage capacity can be increased with an additional, partitioned load compartment floor, as well as a range of storage boxes.

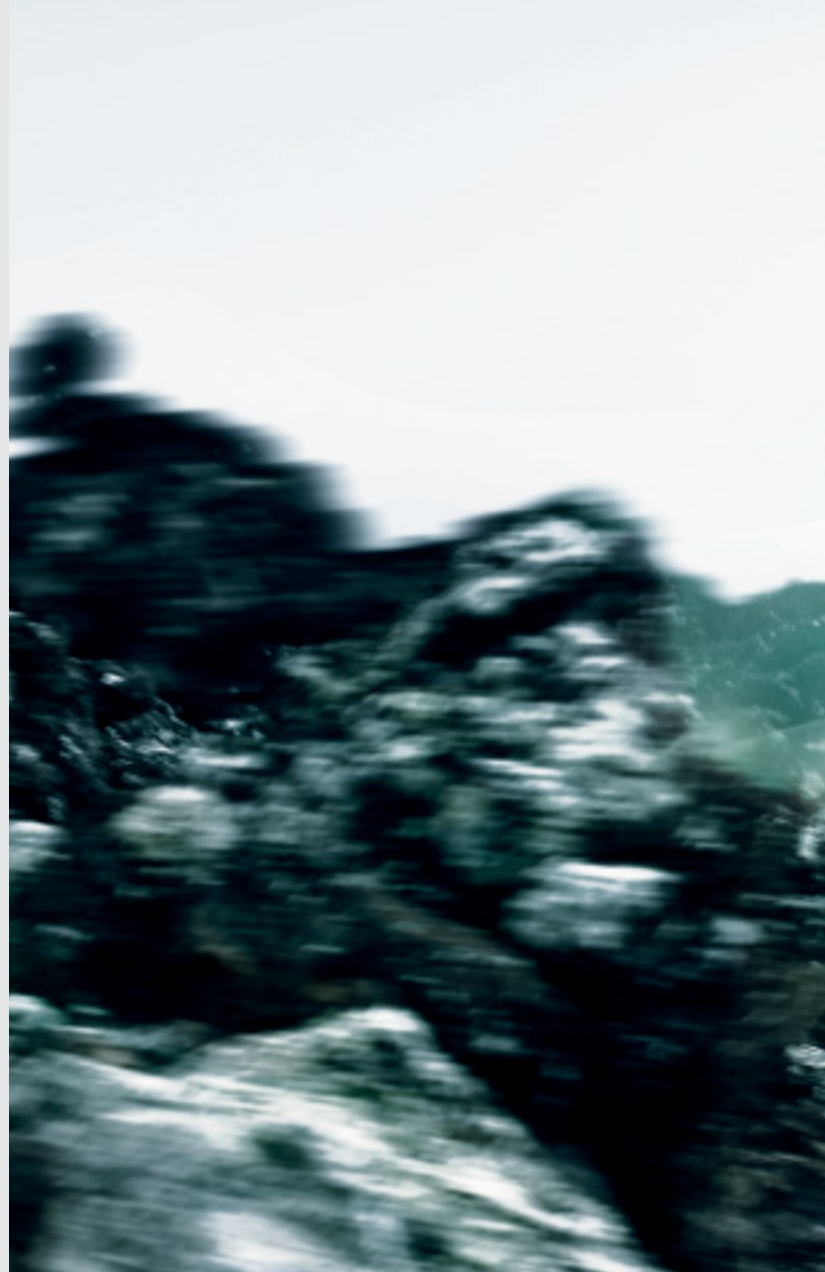
When it comes to intelligent cargo capacity, the GL-Class clearly has you covered.

Control beyond belief.

Mercedes-Benz is the world's leader in all-wheel drive technology. Our award-winning 4MATIC™ permanent all-wheel drive system is elegantly simple. It sends power to each wheel independently, giving you maximum control in all seasons and road conditions.

4MATIC™ works in concert with our 4-wheel Electronic Traction System (4ETS), Electronic Stability Program (ESP®), and anti-lock brakes with skid control (ASR) to maintain stability and traction on wet or snowy roads, even when only one wheel has grip. When 4ETS senses one or more wheels slipping, it automatically provides the right amount of torque to the tires with the most grip until balance is restored.

Control is never an issue with 4MATIC™ permanent all-wheel drive on the job.





Scale new heights.

When it comes to engines, the GL-Class leaves nothing to be desired.

The GL450 4MATIC™ features an exciting, high-displacement 335 hp V-8 engine that matches big power with a quiet ride. It gives you superior output and smooth torque delivery while maintaining moderate fuel consumption levels.

An engine of exceptional calibre waits for you under the hood of the GL550 4MATIC™. Its four valves per cylinder, optimized air duct components, and huge displacement make for impressive performance.

Simply put, you get 382 hp that can take you from 0 to 100 km in just 6.5 seconds. And with torque delivery peaking at 391 lb-ft from just 2,800 rpm, this engine is one of the most powerful engines in its category.



The best transmission is invisible.

Pull out, accelerate, up shift, brake, downshift, and brake again, all with unerring smoothness. Our 7G-TRONIC 7-speed automatic transmission has the uncanny ability to shift gears imperceptibly, even under rugged driving conditions.

Standard for the GL-Class, the 7G-TRONIC is designed for fuel-efficient, silky smooth operation. A total of seven ratios allow for smaller steps between the gears, resulting in faster shifts and additional comfort during the entire driving experience.

7G-TRONIC is built for performance, too. When you feel like stepping up the pace, press the gas pedal down and watch the instant selection of the perfect gear for maximum acceleration. 7G-TRONIC is even able to intelligently skip gears when downshifting.

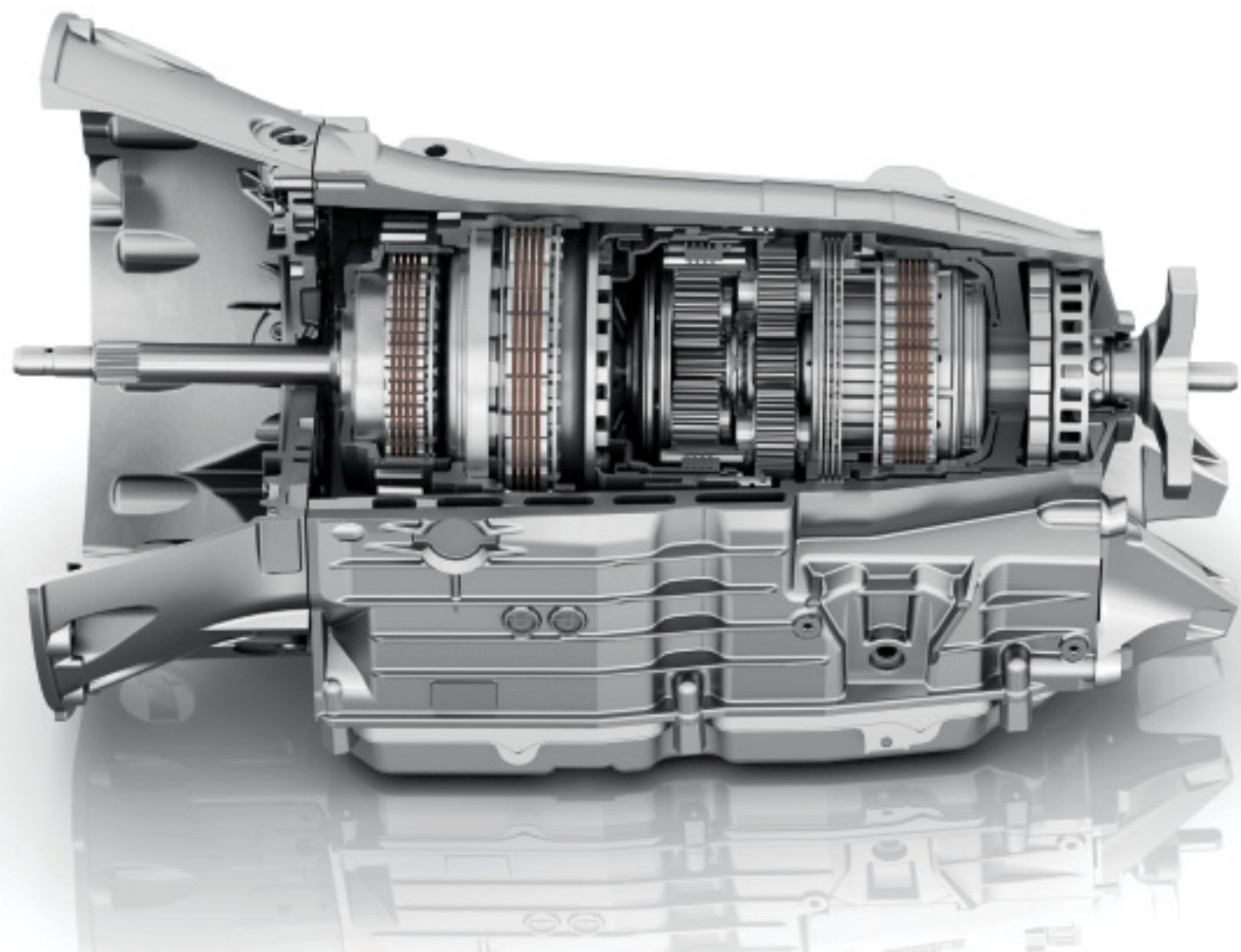
Should you wish, you can also change gears manually with the easy-to-use shift buttons located on the back of the steering wheel spokes.

A finer transmission would be hard to find.

It seems a shame to clutter up the centre console with a selector lever.

That's why the GL's is mounted directly on the steering column, enabling easy fingertip selection.





Roads are optional.

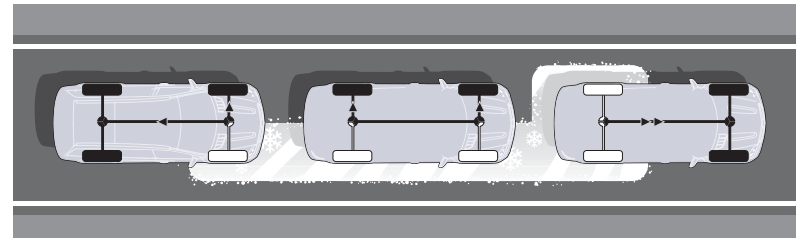
The GL-Class is smooth on any road thanks to its AIRMATIC air suspension.

This self-levelling suspension system is designed to keep the ride height constant at all times, regardless of the load you are carrying or terrain you're travelling. It even reduces pitch during heavy cornering. Quite frankly, there is no smoother ride to be had.

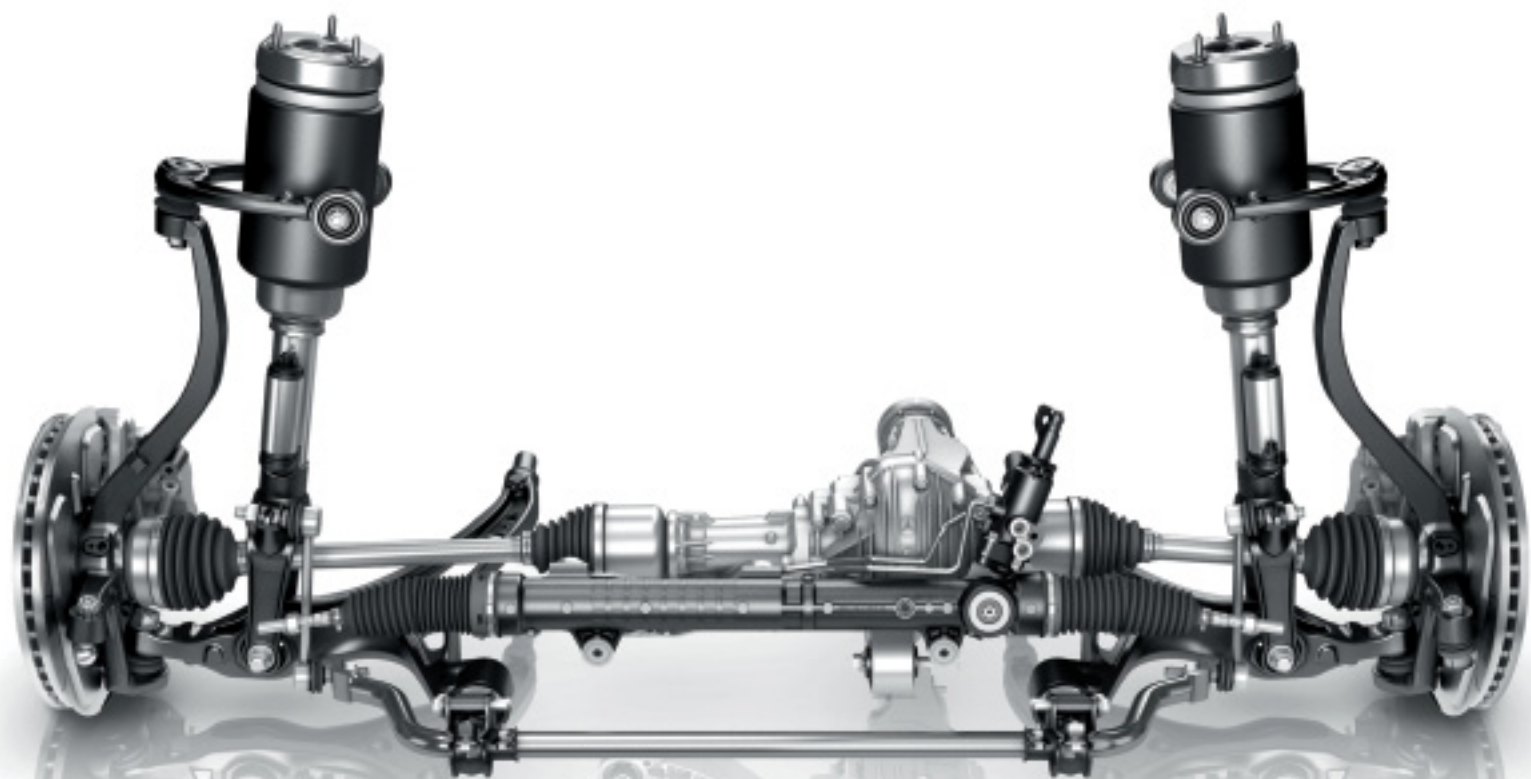
The Adaptive Damping System (ADS)¹ works in tandem with AIRMATIC to make your ride even more enjoyable. It allows you to choose between three damper settings at the touch of a button – Auto, Comfort and Sport – the latter of which adopts firmer suspension for sporty drivers.

No matter what your personal preference, the system constantly monitors driving input and road conditions and makes necessary adjustments in as little as 50 milliseconds.

The ESP[®] sensors register the slightest deviation from the ideal driving line and apply brakes individually to keep the GL-Class safely on track.



¹Only available as part of the Off-Road Package on the GL450 4MATIC™. Not available on the GL350 BlueTEC 4MATIC™. Standard on the GL550 4MATIC™.



Diesel done right.

Meet the GL350 BlueTEC 4MATIC™

Looking for muscle? Powered by our mighty turbo-charged V-6 diesel engine, the GL350 BlueTEC generates an amazing 210 hp and 400 lb-ft of torque. Yet remarkable strength is but one of the features that sets this powerful, efficient high-tech diesel engine apart.

Equipped with our next generation BlueTEC technology, this turbo-charged engine also meets the world's toughest exhaust emission regulations, while AdBlue injection, employing the common-rail direct injection principle and a special particulate filter, makes the GL350 BlueTEC one of the world's cleanest diesel SUVs – eliminating more than 80% of nitrous oxide emissions.

What does this mean to you? Impressive power, great fuel economy, extremely low emissions and exceptionally quiet performance. Everything you would expect from the world's undisputed leader in diesel technology.



BLUETEC



When it comes to safety, the GL-Class thinks ahead.

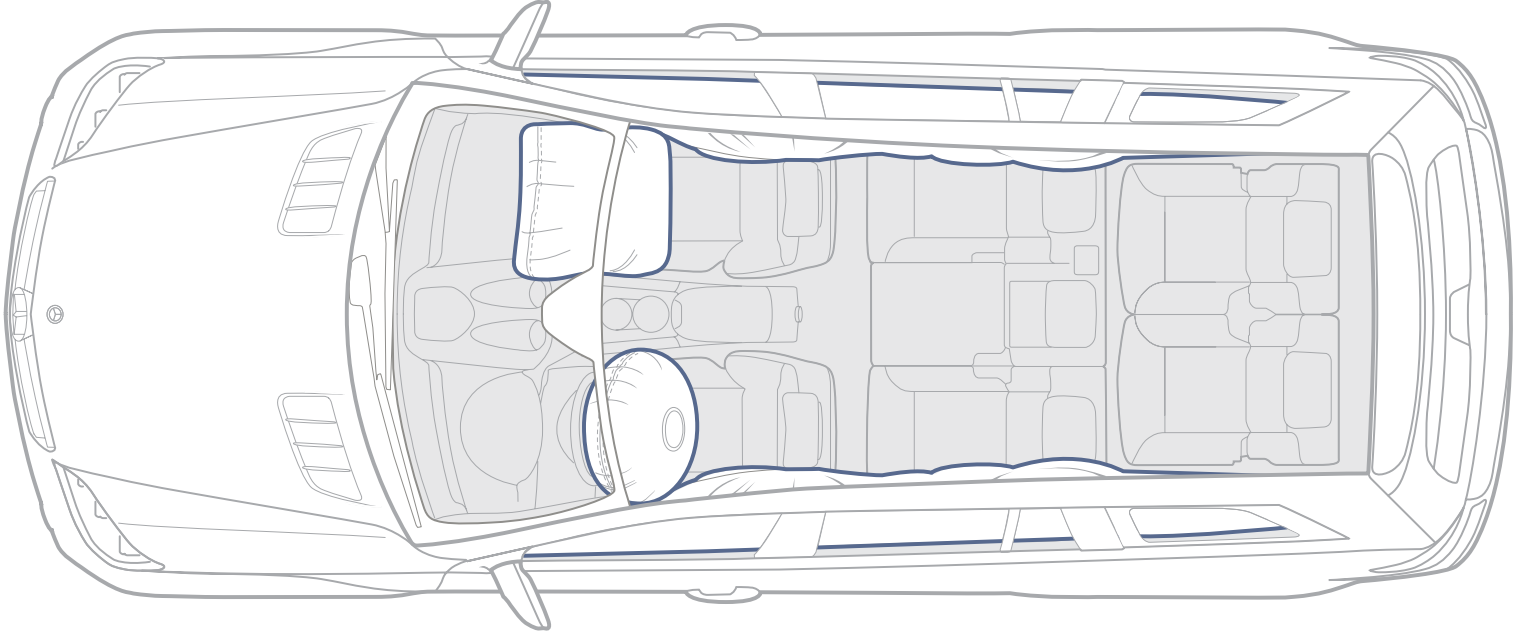
In the GL-Class, we have adopted an integrated, future-oriented approach to handle safety with advanced features to keep your drive stress-free, coupled with intelligent systems ready to come to your assistance should danger occur.

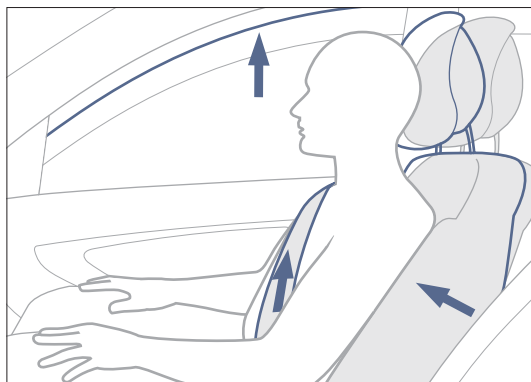
Leading the way in the safe driving arsenal is the Electronic Stability Program (ESP®), which is capable of recognizing and helping to correct understeer, oversteer, abrupt steering movements and emergency braking¹. Brake Assist (BAS) will come to your aid in case of the latter, and instantly builds up maximum brake pressure. The result: the vehicle comes to a complete stop sooner. The ESP® trailer stabilization function is able to immediately eliminate the risk of a trailer swerving from side to side by briefly actuating the brakes.

In the event of danger, the reversible tensioner in the belt retractor assesses critical situations and triggers preventative measures to protect occupants. If there is an acute risk of accident, both front seat belts are pulled taut by electric motors, the front passenger seat is moved into an optimum position, and the side windows and the tilting/sliding sunroof are closed.

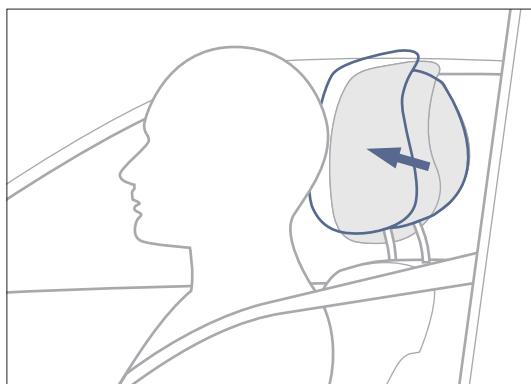
These systems, combined with the stress-reducing ergonomic design of the GL-Class' interior, help to minimize the risk of an accident ever happening and react to protect those inside in all situations.

¹No system, regardless of how advanced, can overcome the laws of physics or correct careless driving. Please always wear your seat belt. Best performance in snow is obtained with winter tires.





PRE-SAFE® uses the valuable seconds before an accident to protect the occupants in case of a collision



The flexible side bolsters on the NECK-PRO luxury head restraints can be adjusted by hand for the driver and front passenger

Safety when safety's most needed.

Advanced GL construction technologies are designed to offer you protection in the event of an accident. Our standard NECK-PRO crash responsive headrests on the driver and front passenger seats move forward and up to brace the head and neck in the event of a rear-end collision. The GL-Class is also equipped with two-stage driver and front passenger air bags¹, side air bags, and window curtain air bags extending over all three rows of seats. The side air bags and window curtain bags in the GL-Class feature sophisticated pressure sensors. In a side-on collision, the increase in air pressure between the body panels and the interior of the door is registered by the pressure sensors, allowing the appropriate airbags to be deployed.

After an accident occurs, the GL-Class continues to work on your behalf. The engine is shut down and the fuel supply is cut off automatically, while hazard warning lights and emergency interior lights are activated. The side windows are partially opened for fresh air and to allow emergency personnel better lines of communication with the passengers. The vehicle also engages the TeleAid System², putting your vehicle in touch with the TeleAid Emergency Response Center.

¹WARNING: The forces of a deploying air bag can cause serious or fatal injuries to a child under age 13. Children under 13 should be seated in the back seat if possible. See Operator's Manual for additional warnings and information on air bags, seat belts and child seats. ²Subscription is required for service to be active. TeleAid operates only where cellular and Global Positioning System coverage is available. Standard on the GL450 4MATIC™ and GL550 4MATIC™ Available as a stand alone option on the GL350 BlueTEC 4MATIC™





Make it personal.



Personalizing the paint and materials used in your GL-Class is probably the most important step in making it uniquely yours. At Mercedes-Benz, we pride ourselves on providing an almost limitless number of combinations.

It all starts with great paint. The secret behind the longer lasting, intense shine of our paint is the countless microscopic ceramic particles incorporated into the mixing process. This protective clear coat is less prone to scratching and less sensitive to environmental influences, such as precipitation, sunlight, extreme temperatures, dust and soot.

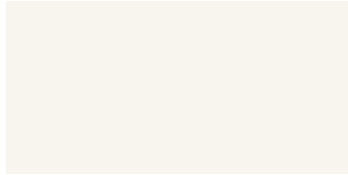
	ARTICO LEATHER	Black	Cashmere Beige	Alpaca Grey	LEATHER	Black	Cashmere Beige	Alpaca Grey	Beige/Black	Grey/Black
SOLID PAINT										
Black		●	●	●		●	●	●	●	●
Calcite White		●	○	●		●	○	●	○	●
METALLIC PAINT										
Obsidian Black		●	●	●		●	●	●	●	●
Tenorite Grey		●	○	●		●	○	●	○	●
Tanzanite Blue		●	○	●		●	○	●	○	●
Peridot Brown		●	●	○		●	●	○	●	○
Carneol Red		●	○	●		●	○	●	○	●
Palladium Silver		●	○	●		●	○	●	○	●
Iridium Silver		●	○	●		●	○	●	○	●
Sanidine Beige		●	●	○		●	●	○	●	○

● Recommended combination ○ Possible combination

SOLID PAINT



040 Black



650 Calcite White

METALLIC PAINT (OPTIONAL)



197 Obsidian Black



755 Tenorite Grey



359 Tanzanite Blue



474 Peridot Brown



544 Carneol Red



792 Palladium Silver



775 Iridium Silver



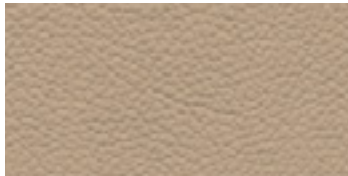
798 Sanidine Beige



ARTICO LEATHER



151 Black



154 Cashmere Beige

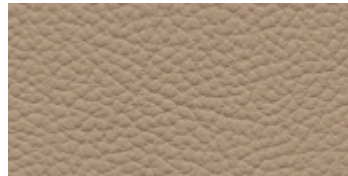


158 Alpaca Grey

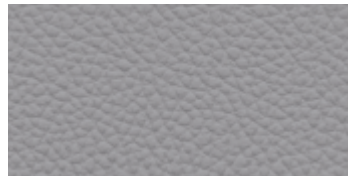
LEATHER



221 Black



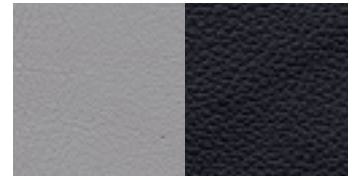
224 Cashmere Beige



228 Alpaca Grey



264 Beige/Black



268 Grey/Black

WOOD



731 Burl Walnut (high-gloss)



729 Poplar wood



What comes between you and the road.

Grabbing the eye as well as they grip the road, the GL-Class wheels are designed with the same philosophy as the rest of this inspired vehicle. Style, substance and safety are the cornerstones of Mercedes-Benz, and none of them were spared while developing these impressive wheels.



20" 5-twin-spoke alloy wheel



AMG 21" 5-spoke alloy wheel

INDIVIDUAL EQUIPMENT (SELECTION)	GL350 BlueTEC 4MATIC™	GL450 4MATIC™	GL550 4MATIC™
TRANSMISSION			
7G-TRONIC 7-speed automatic transmission	•	•	•
DIRECT SELECT gearshift with steering wheel gearshift buttons	•	•	•
TRACTION/STABILITY			
4MATIC™ permanent all-wheel drive with 4ETS	•	•	•
Electronic Stability Program (ESP®) including ABS and traction control (ASR)	•	•	•
Brake Assist (BAS)	•	•	•
Downhill Speed Regulation (DSR)	•	•	•
AIRMATIC air suspension	•	•	•
Adaptive Damping System (ADS)	-	○ ¹	•
AUDIO/VISUAL/COMMUNICATION			
COMAND with MP3-compatible 6-disc DVD changer and SD memory slot	•	-	-
COMAND APS with hard-drive based navigation, LINGUATRONIC voice control, DVD changer, 4GB Music Register and SD memory slot	○ ¹	•	•
harman/kardon® LOGIC7® surround sound system	○	•	•
SIRIUS Satellite Radio ²	•	•	•
Bluetooth Connectivity	•	•	•
Rear Seat Entertainment System with two 8" LCD screens, DVD player and headphones	○ ³	○ ³	○ ³
Separate rear audio controls	•	•	•
Media Interface (with iPod®, USB and auxiliary connections)	○	•	•
EXTERIOR			
20" 5-twin-spoke alloy wheels	•	•	-
AMG 21" 5-spoke alloy wheels	-	-	•

INDIVIDUAL EQUIPMENT (SELECTION)	GL350 BlueTEC 4MATIC™	GL450 4MATIC™	GL550 4MATIC™
Electrically adjustable heated exterior mirrors with turn signal indicators and power-folding function	•	•	•
Heated windshield washer system with two-stage rain-sensing windshield wipers	•	•	•
Roof rails	•	•	•
Privacy glass	•	•	•
Blue-tinted glass	-	-	•
Trailer hitch	•	•	•
Active Bi-Xenon headlamps with washers and cornering lights	○ ¹	•	•
Aluminium running boards	○	○	•
INTERIOR			
10-way power-adjustable heated front seats with 3-position memory	•	•	•
Heated rear seats	○ ¹	○ ¹	○ ¹
Multicontour front seats	-	-	○ ¹
Climate Comfort front seats (heated and ventilated, with perforated leather)	-	-	○ ¹
ARTICO leather upholstery ⁴	•	-	-
Leather upholstery	○ ⁵	•	•
Leather-wrapped multifunction steering wheel	•	•	•
Heated steering wheel ⁶	•	•	•
Leather/wood steering wheel ⁷	○	○	○
Burl Walnut wood trim (high-gloss)	•	•	•
Poplar wood trim	○	○	○
Power-tilt/sliding glass sunroof	•	•	•
Interior Lighting Package	○ ⁸	•	•
Ambient lighting	•	•	•
THERMATIC dual-zone automatic climate control	•	•	•

INDIVIDUAL EQUIPMENT (SELECTION)	GL350 BlueTEC 4MATIC™	GL450 4MATIC™	GL550 4MATIC™
THERMOTRONIC three-zone automatic climate control	○ ¹	○ ¹	○ ¹
Auto dimming mirrors (rearview and driver's side)	●	●	●
Power-tilt/telescoping steering column with 3-position memory	●	●	●
Power windows with express up and down	●	●	●
Power pop-out 3rd row windows	●	●	●
Power folding 3rd row seats	●	●	●
Luggage compartment cover	●	●	●
115 V power outlet	○ ¹	○ ¹	○ ¹
CONVENIENCE			
Integrated garage door opener	●	●	●
PARKTRONIC	●	●	●
DISTRONIC	○	○	–
SmartKey with panic button	●	●	●
KEYLESS-GO	○	○ ¹	○ ¹
EASY-PACK power tailgate	○ ¹	○ ¹	○ ¹
SAFETY			
PRE-SAFE®	●	●	●
Dual front air bags, front/second row side air bags and full-length window curtain air bags	●	●	●
Crash-responsive NECK-PRO front head restraints	●	●	●
First aid kit	●	●	●
ISOFIX child seat mounts for 2nd and 3rd-row seats	●	●	●
Tire Pressure Loss Warning System	●	●	●
Anti-theft alarm system	●	●	●
TeleAid Emergency Calling System ⁹	○	●	●
Rearview camera	○ ¹	○ ¹	○ ¹

EQUIPMENT PACKAGES

	GL350 BlueTEC 4MATIC™	GL450 4MATIC™	GL550 4MATIC™
GL350 BlueTEC 4MATIC™ PREMIUM PACKAGE: COMAND APS with HDD navigation and DVD changer. Rear view camera. EASY-PACK power tailgate. Heated rear seats. 115 V power socket.	○	–	–
GL450 4MATIC™ PREMIUM PACKAGE: KEYLESS-GO. Rear view camera. EASY-PACK power tailgate. Heated rear seats. 115 V power socket.	–	○	–
GL550 4MATIC™ PREMIUM PACKAGE: Climate Comfort front seats. Multicontour front seats. Heated rear seats. KEYLESS-GO. Rear view camera. EASY-PACK power tailgate. 115 V power socket.	–	–	○
GL450 4MATIC™ OFF-ROAD PACKAGE: Enhanced Off-Road Package, including differential locks and 2-stage transfer case. Adaptive Damping System (ADS). Underside protection.	–	○	–
GL550 4MATIC™ OFF-ROAD PACKAGE: Enhanced Off-Road Package, including differential locks and 2-stage transfer case. Underside protection.	–	–	○
BI-XENON HEADLAMP PACKAGE: Active Bi-Xenon headlamps. Cornering lights. Headlamp washers.	○	–	–
REAR CLIMATE CONTROL PACKAGE: THERMOTRONIC automatic climate control. Rear climate control.	○	○	○

● Standard ○ Optional – Not Available

¹Available as part of an option package. ²© 2009 SIRIUS Satellite Radio Inc. "SIRIUS," the SIRIUS dog logo and related marks are trademarks of SIRIUS Satellite Radio Inc. Complimentary 6 months of service included. Monthly subscription required for service. ³Not available in conjunction with separate rear audio controls. ⁴Man-made leather. ⁵Only available in conjunction with Interior Lighting Package. ⁶Not available in conjunction with leather/wood steering wheel. ⁷Not available in combination with heated steering wheel. ⁸Only available in conjunction with leather upholstery. ⁹Subscription is required for service to be active. TeleAid operates only where cellular and Global Positioning system coverage is available.

Accessorize to individualize.



You're an individual. You take pride in setting yourself apart. You also enjoy the finer things in life. Satisfy all of your discerning needs with Mercedes-Benz Genuine Accessories, designed and manufactured to the highest standards for design, engineering, appearance, quality, form and function. It's an ideal way to add your own distinctive style to an already stunning automobile.

Roof rack and box

Need even more cargo carrying capacity? The GL-Class roof rack and box is an ideal solution. We have something to fit all of your needs with multiple sizes available.



20" two-tone 10-spoke wheels

Personalize your GL-Class with these unique black and polished finished wheels. They are sure to make a statement wherever your journey takes you.



Luggage divider net

An easy-to-use partition net can be stretched behind the first or second seat row to create separate compartments – very useful for trips with luggage, or your best friend.



iPod® Integration Kit

You've spent time carefully filling your iPod® with the great music you love. Now you can enjoy every minute of every song as you cruise in your GL-Class courtesy of the iPod® Integration Kit.



	GL350 BlueTEC 4MATIC™	GL450 4MATIC™	GL550 4MATIC™
Engine type	V-6	V-8	V-8
Total displacement	2,987-cc	4,663-cc	5,461-cc
Net power	210 hp @ 3,400 rpm	335 hp @ 6,000 rpm	382 hp @ 6,000 rpm
Net torque	400 lb-ft @ 1,600-2,400 rpm	339 lb-ft @ 2,700-5,000 rpm	391 lb-ft @ 2,800-4,800 rpm
Acceleration, ¹ 0–100 km/h	9.5 seconds	6.9 seconds	6.5 seconds
Approximate top speed ²	210 km/h	210 km/h	210 km/h
Tires, front rear	275/50 R 20 275/50 R 20	275/50 R 20 275/50 R 20	295/45 R 21 295/45 R 21
Fuel economy, ³ city/highway estimate	12.3-8.7 L/100km	16.5-11.6 L/100km	17.1-11.9 L/100 km
Fuel tank capacity	100.0 litres (with 13.0-litre reserve)	100.0 litres (with 13.0-litre reserve)	100.0 litres (with 13.0-litre reserve)
Fuel requirement	Diesel	Premium unleaded gasoline	Premium unleaded gasoline
Dimensions ⁴ :			
Wheelbase	121.1 in/3,075 mm	121.1 in/3,075 mm	121.1 in/3,075 mm
Overall length	200.3 in/5,088 mm	200.3 in/5,088 mm	200.3 in/5,088 mm
Overall height	72.4 in/1,840 mm	72.4 in/1,840 mm	72.4 in/1,840 mm
Overall width incl. mirrors	83.7 in/2,127 mm	83.7 in/2,127 mm	83.7 in/2,127 mm
Curb weight	5,512 lb/2,500 kg	5,346 lb/2,425 kg	5,544 lb/2,515 kg
Cargo capacity:			
All rear seats in use	7.1 cu ft/200 litres	7.1 cu ft/200 litres	7.1 cu ft/200 litres
3rd row seats lowered	43.8 cu ft/1,240 litres	43.8 cu ft/1,240 litres	43.8 cu ft/1,240 litres
2nd and 3rd row lowered	81.2 cu ft/2,300 litres	81.2 cu ft/2,300 litres	81.2 cu ft/2,300 litres
Legroom, front rear	40.3 in/1,024 mm 39.5 in/1,003 mm	40.3 in/1,024 mm 39.5 in/1,003 mm	40.3 in/1,024 mm 39.5 in/1,003 mm
Towing capacity	7,500 lb/3,402 kg	7,500 lb/3,402 kg	7,500 lb/3,402 kg

¹Stated rates of acceleration are based upon the manufacturer's track results and may vary depending upon model, environmental and road surface conditions, driving style, elevation and vehicle load. ²Electronically limited. ³These estimates are based on Transport Canada testing methods. The actual fuel consumption of this vehicle may vary. Refer to the *Fuel Consumption Guide*. ⁴Dimensions shown are for models with standard equipment.

A passion for things done right.

It's what you expect from Mercedes-Benz. A passion for craftsmanship and attention to detail is what sets Mercedes-Benz apart from all other manufacturers. This passion drives us to set new standards in design, performance, comfort and safety. To continually build on the legendary traditions of Mercedes-Benz. And to provide you with an ownership experience unlike any other, including the valuable benefits described below.

24-hour Roadside Assistance

During the basic warranty coverage of 48 months and the time duration of the optional Extended Limited Warranty, Mercedes-Benz Roadside Assistance will be at your service. We'll bring you some gas, replace a flat tire with your spare, or jumpstart your car. In the event of a mechanical breakdown, if attempts by our Roadside Assistance technician have not made your vehicle safely operable, towing service will be provided to the nearest Mercedes-Benz dealership. Assistance is available 24 hours a day, every day, to anyone driving a Mercedes-Benz anywhere in Canada or the continental U.S.¹

Wear and tear period

The following parts listed are covered for wear and tear during the first 24 months or 40,000 km whichever comes first. Brake pads, brake discs, brake pad wear sensors and light bulbs.

Mercedes-Benz warranties

The Mercedes-Benz New Vehicle Limited Warranty covers defects in materials or workmanship for 48 months or 80,000 km, whichever occurs first. To widen your window of confidence, you can opt for a Mercedes-Benz Extended Limited Warranty as well.²

Customer service

Owning a Mercedes-Benz means that when you have a question, we're here to help. Customer Service is open from 9 a.m. to 5 p.m. EST, Monday through Friday, and is staffed with knowledgeable Mercedes-Benz people who can talk you through the finer points of working your car's audio system – or even assist you in locating the nearest Mercedes-Benz dealership. Just call 1-800-387-0100. It's that simple.

Trip interruption reimbursement

If a breakdown covered by your New Vehicle Limited Warranty or optional Extended Limited Warranty occurs more than 80 km from your home, leaves your Mercedes-Benz vehicle inoperable or unsafe to drive, and requires overnight repairs, we've got you covered. You will be reimbursed up to \$500 for hotel accommodations and up to \$600 for alternative travel expenses per incident while your car is being repaired at an authorized Mercedes-Benz dealership.

¹Vehicle must be accessible from main roads. Roadside Assistance may involve charges for parts, service and towing. Depending on the circumstances, these services may be provided by an outside service provider, courtesy of Mercedes-Benz Roadside Assistance. For full details of the Roadside Assistance Program, please see your dealer. ²Please see your dealer for warranty details as well as for terms, conditions and pricing for extended warranty options.

There's virtually so much more.

Visit mercedes-benz.ca and open an online window to Mercedes-Benz Canada. Revel in the incredible photography of our vehicles and get a visceral impression of what it would be like to see yourself behind the wheel. Get information about any of our vehicles, including financing and leasing options, upcoming models, and how to configure your own ideal Mercedes online. Our website also offers details about the Mercedes-Benz Extended Limited Warranty, vehicle ownership, and much more on the fascinating story behind one of the world's most recognizable brands.



To be continued. With a test drive.

Nowhere is a Mercedes-Benz so convincing as on the road. It is only there that you can fully experience the effortlessly superior handling that makes this car so special. You can feel how the powerful engine drives the vehicle onwards and how the precise steering movements have a direct effect on your own mood. The special atmosphere that arises during a drive in a Mercedes-Benz cannot be put down on paper. That's why we would like to invite you to reserve an appointment for a test drive at your local Mercedes-Benz dealer. Or visit www.mercedes-benz.ca. We look forward to seeing you.





© 2009 Mercedes-Benz Canada Inc.

All illustrations and specifications contained in this brochure are based on the latest product information available at the time of publication. Mercedes-Benz Canada reserves the right to make changes at any time, without notice, in colours, materials, equipment, specifications and models. Any inaccuracies in colours shown are due to reproduction variations of the printing process. Some vehicles may be shown with non-Canadian equipment. Some vehicles may be shown without side marker lights. Some vehicles are shown with optional equipment available at extra cost. Some optional equipment may not be available on all models. For current information regarding the range of models, standard features, optional equipment and/or colours available in Canada and their pricing, contact your nearest authorized Mercedes-Benz dealer or visit mercedes-benz.ca. harman/kardon and LOGIC7 are registered trademarks of Harman International Industries Inc. iPod is a registered trademark of Apple Computer, Inc.

Printed in Canada
MBC-09-GL10-7900E

Mercedes-Benz Canada Inc. 98 Vanderhoof Avenue, Toronto, Ontario M4G 4C9
1-800-387-0100
www.mercedes-benz.ca

