



This Brochure is prepared by Daimler AG and it predominantly reflects the capabilities and performance of vehicles sold in Europe. Some characteristics, capabilities, performance features and optional extras (e.g. towing systems) may not be available or may not apply in Australia or under Australian conditions. The information in this Brochure is therefore indicative, illustrative and provided only for guidance and should not be relied on. To obtain current and accurate information on a vehicle and any options applicable to Australia, contact your local authorised Mercedes-Benz dealer.

Mercedes-Benz



Mercedes-Benz

The new CLC-Class

“Our philosophy is very simple. We give our best for people who expect the best.”

Dr Dieter Zetsche

Contents

The CLC-Class	3	My CLC-Class	36
Design	4	Equipment	40
Agility	12	Sports package	40
Diesel engines	14	Equipment packages	44
Petrol engines	18	Standard equipment	46
Transmissions	20	Optional extras	48
Chassis and steering	22	Light-alloy wheels	50
Safety	24	Genuine accessories	52
Active safety	24	Colours and materials	54
Passive safety	26	Paint finishes	54
Comfort	28	Upholstery, leather and trim elements	56
Interior	28	Possible combinations	57
Seating comfort	30	Technology	58
Spatial comfort	32	Technical data	58
Sound	34	Dimensions	60
		Service	62
		Test drive	64

An exceptional form. For a fast-moving lifestyle

The new CLC Sports Coupé

So far, its agility can only be seen on paper. But the new Mercedes-Benz Sports Coupé could soon be right in front of you on the road. Expressive styling and visible dynamism

appeal to the heart and the mind in equal measure. And ensure that the CLC will move you even when you are not moving the CLC.

Expressive design. Intensive character

It gives you driving pleasure and comfort. It takes away everything you're not likely to miss on the road. Like boredom, for example. It all starts the moment you set eyes on the CLC. The design is a modern take on the classic Mercedes-Benz coupé tradition. Convex and concave surfaces intermingle with dynamic lines to create a compact form and give the body its classic wedge shape – rising dynamically all the way up to the seemingly weightless rear end. Sporty touches here include distinctive two-tone lights and a diffuser-style bumper.


The expressive impression of the Sports Coupé is further accentuated by the wheels – also available in 18-inch format as an optional extra.







Time to surge ahead



The Mercedes-Benz Sports Coupé exudes energy. Its assuredness and desire to be on the move are immediately apparent. Thanks to the forwards thrust of the distinctive wedge-shaped design and the wide appearance of the chassis. The sportily moulded front apron with air inlets and a large central star in the radiator grille fit perfectly into the overall scheme of things. Plus you can make the CLC Sports Coupé even more expressive by ordering the optional sports package.







Set your expectations high if you don't wish to overshoot them

6 engine variants, including 4 petrol and 2 diesel powerplants, deliver the necessary forwards thrust. Outstanding dynamism and agility are ensured by the direct-steer system and the lower-slung sports suspension. Both form part of the optional sports package. And the CLC wouldn't be a Mercedes if it didn't combine all of this sportiness with a high standard of comfort. Cue the fast-response transmission, standard-fit sports seats and exclusive interiors, for example.







Generous in terms of output. Mean on fuel

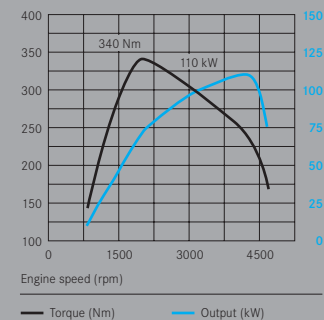
Strong performers and strong fuel savers - thanks to common-rail diesel technology

Environmental awareness begins at home. On your doorstep, to be precise. Especially if this is where you get into your car. State-of-the-art common-rail diesel technology with a particulate filter as standard has a positive impact on the ecological balance sheet of the CLC 200 CDI developing 90 kW (122 hp) and the CLC 220 CDI developing 110 kW (150 hp). As it also does on their fuel consumption. It's nice to know that the engines' performance figures leave nothing to be desired, while their smoothness is astonishing.

All the common rail engine cylinders are supplied with fuel via a shared line. Injection is

metered with the utmost precision, while the degree of pressurisation is extremely high. As a result, the full torque is available very soon - at just above idle speed.

CLC 220 CDI



Equipped with common-rail diesel technology, the CLC 220 CDI delivers high torque even at low revs







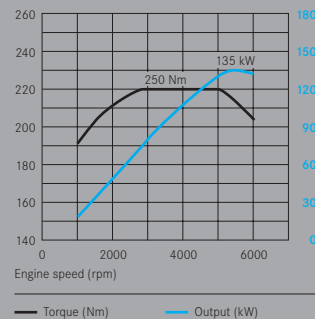
Designed to drive your enthusiasm as well as your car

The petrol engines - maximum torque even at low revs

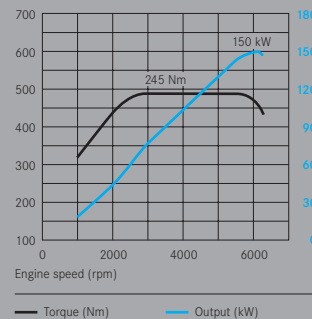
Keeness to perform and awareness of the environment are at the heart of the petrol engines for the CLC - but they are anything but tame. The two six-cylinder variants deliver their power reserves with an impressive show of strength and spontaneity - the CLC 230 with 150 kW (204 hp) and the CLC 350 with 200 kW (272 hp). High torque is available even at low revs, making the engines extremely powerful performers. For instance, in the

CLC 350 the sprint from 0 to 100 km/h takes 6.3 seconds. Pleasingly economical yet powerful and dynamic: the CLC 180 KOMPRESSOR with 105 kW (143 hp) and the CLC 200 KOMPRESSOR with 135 kW (184 hp) are extremely refined and ensure outstanding ride comfort in the Sports Coupé - in the city and on longer trips. Classic Mercedes in every sense.

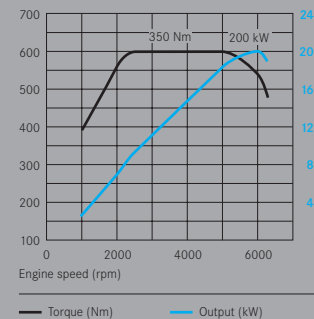
CLC 200 KOMPRESSOR



CLC 230



CLC 350



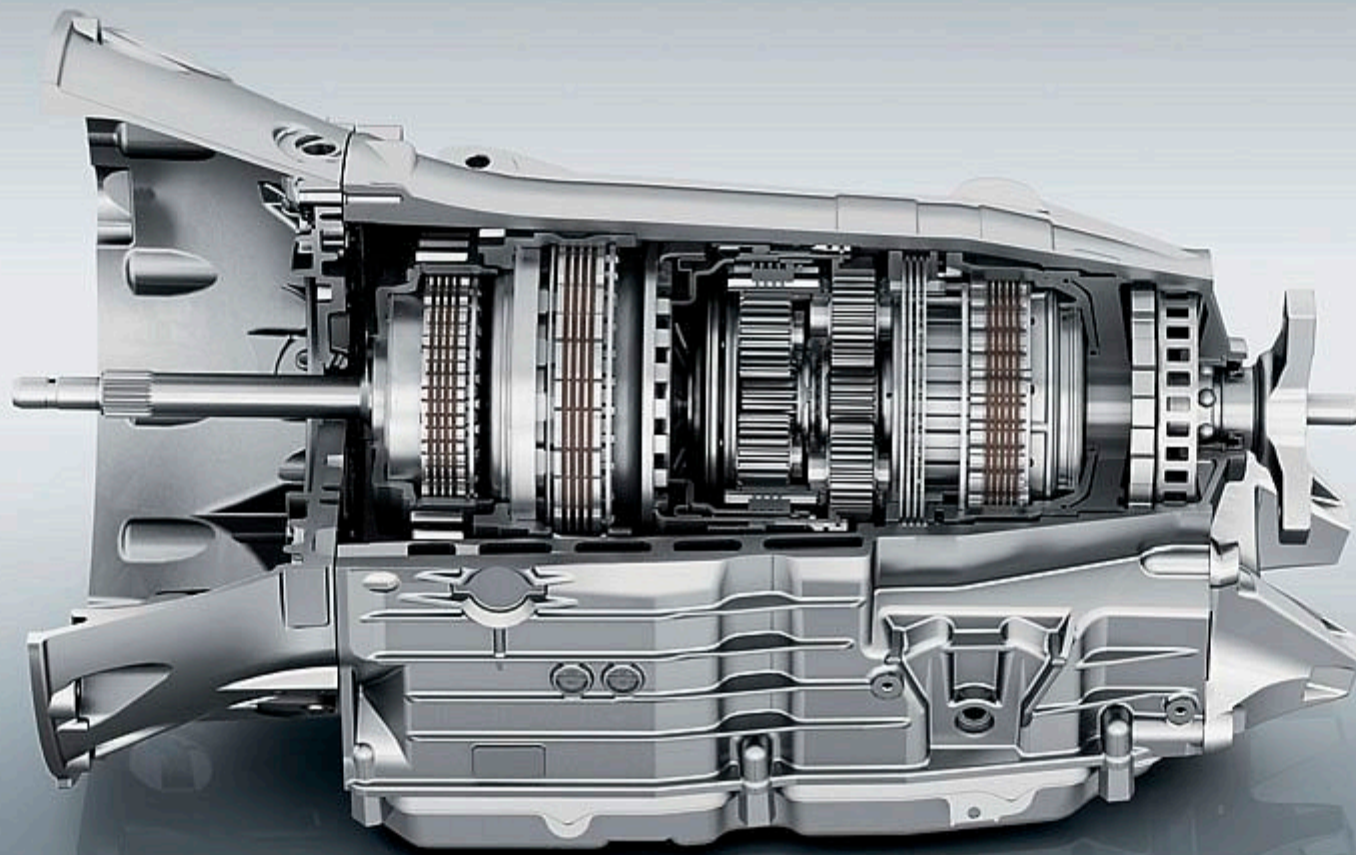
The petrol engines impress with their ride comfort and economy

The best transmissions are the ones that go unnoticed

Fast, precise, exciting: the manual and automatic transmissions

Power is nothing without control. This is why the fast-response transmissions for the CLC are designed to work together with you. The DIRECT CONTROL 6-speed manual transmission sends the power to the road with unerring precision. Fast gear changes are also the order of the day with the optional 5-speed automatic transmission and the 7G-TRONIC automatic transmission, which is available

as an optional extra for the 6-cylinder models. Powerful acceleration in any gear is part of this transmission's genetic makeup - thanks largely to the multiple downshift function. The CLC's shift times are so fast that the route will never seem long enough. Not only does this sound impressive, it also enhances comfort.



7G-TRONIC: developed with the experience gained from producing more than eleven million automatic transmissions in over 40 years



Only telepathy is more direct

Enticingly sporty, delectably direct: the chassis and steering

Grip the steering wheel with both hands. The excitement then starts to build as you approach the next bend, which the DIRECT CONTROL chassis takes with sporty aplomb thanks to its wide track and taut configuration. A lower-slung sports suspension, available as an optional extra, does full justice to its name courtesy of some exceptionally

dynamic characteristics. Similarly the directsteer system – part of the optional sports package – makes you feel a close affinity with the road. It enhances both the agility and the comfort of the CLC by varying its ratio in line with the steering-wheel angle. So even the shortest of trips becomes a pleasure to savour – at every apex.

Maximum excitement. Minimum risk

Active occupant protection for the Sports Coupé

The CLC is clearly in its element on the road. And to make sure this is where it stays, an impressive array of safety systems helps to prevent accidents before they even get a chance to happen. The Electronic Stability Program (ESP®) is able to apply the brakes precisely if there is a risk of over- or understeering of individual wheels, while Brake Assist (BAS) helps bring the CLC to a stop as quickly as possible when the brakes are applied in an emergency.

Further active-safety components include the anti-lock braking system (ABS) and the optionally available bi-xenon headlamps with cornering light function, which ensure exceptionally bright illumination of a wide section of the road; the fog lamp on the side of the car in question is activated when the car starts to make the turn. This enables you to see whether the way ahead really is clear in plenty of time.





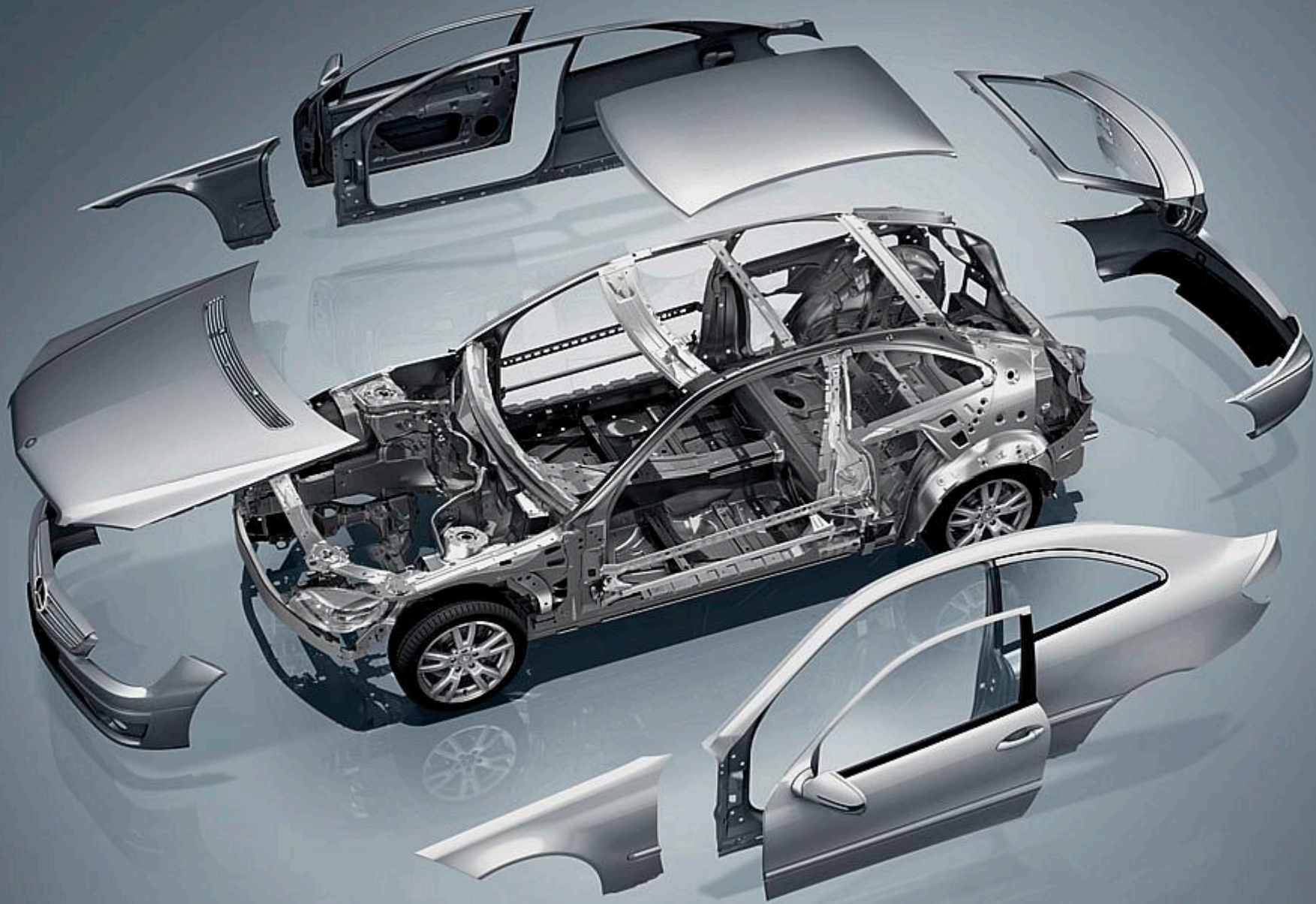
Hopefully you'll never see a repeat of what what we're about to show you

Passive occupant protection for the CLC


Dynamism is at its most stunning when it is under control. This comfortable feeling is built into the CLC. The safety body with its high-strength passenger cell and supporting structure capable of withstanding extremely high loads, along with energy-absorbing deformation zones, forms the heart of the safety concept. Efficient occupant protection is also provided by the airbags. The CLC features front airbags with two-stage deployment as well as front sidebags and windowbags. All the seats in the Sports Coupé are

equipped with 3-point seat belts. Highly effective belt tensioners and intelligent belt-force limiters further add to the outstanding level of occupant protection afforded by the CLC Sports Coupé.

For more information on the Mercedes-Benz safety concept please refer to www.mercedes-benz.com/airbag-brochure







Exclusivity for all five senses. Controllable with the sixth

Cockpit features

Opening the driver's door reveals a space that you may not have been expecting. Not just size-wise but, above all, in terms of the harmonious blend of exclusivity and high-quality materials with sporty design. Features such as the standard-fit THERMATIC automatic air conditioning further add to the enhanced ride comfort.

Impressively dynamic: the appearance of the sporty instrument cluster with distinctive

white needles. Astonishingly intuitive: the controls for key functions. Whether it be the arrangement of the switches or the layout of the instruments, everything is where you would instinctively expect it to be. Without having to chance a second look. Not only is this safer, it also makes driving an even more pleasurable experience. Furthermore, the 3-spoke multifunction steering wheel ensures that even central functions can be controlled quickly and easily.

Sporty and muscular meets suave and sophisticated

Extremely pleasing on the eye: the interior of the Sports Coupé

Agility and comfort are not always easy bedfellows. But they are when you're ensconced in the standard-fit sports seats. Their good looks are matched by the level of support they offer you whilst driving. They even help you to get into the rear. Simply fold down the backrest – and the EASY-ENTRY system moves the front seats forwards. As well as making life easier, the interior of the CLC is

easy on the eye. Exciting contrasts and high-quality materials – like the optionally available leather appointments in alpaca grey – create an exclusive ambience, while trim elements in brushed aluminium or optionally available black bird's-eye maple are combined with black carpet and pale seat and door centre panels. So when you next drive to a luxury suite, you'll already feel like you're in one.







The view outside is as impressive as the one inside

The panoramic sunroof - in its element whatever the weather

Below it is hallmark Mercedes exclusivity. Above it the open sky. The panoramic sunroof - available as an optional extra for your CLC - opens up a whole new perspective and allows light to flood into the interior, giving a hint of that special open-air feeling you only usually get when driving a cabriolet. That's because, beneath the large panoramic panel spanning the entire roof surface, it's almost like sitting beneath the open sky. You can add to this feeling by moving the front section of the roof rearwards

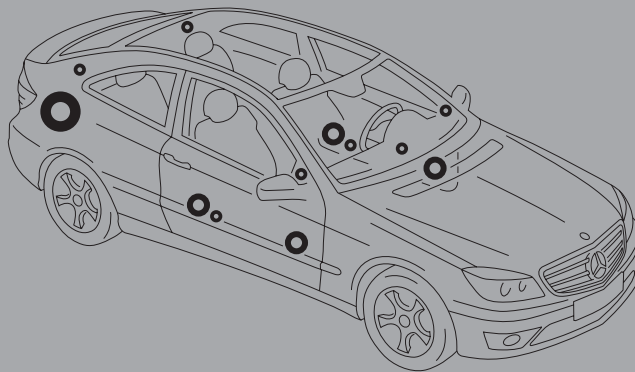
at the touch of a button - without restricting headroom in the rear in the slightest. At the rear, the panoramic sunroof merges into a large tailgate that allows even heavy and bulky items to be loaded with ease. Thanks to a boot capacity of 310 litres (with luggage cover) or up to 1100 litres with the rear seats folded down, your CLC has plenty of space for your luggage-carrying requirements. So there's no need to leave anything behind.

Connections as varied as your taste in music

Acoustic freedom with surround sound and multimedia compatibility

If your system at home suddenly starts to sound a little flat, your Sports Coupé may have something to do with it. Here you can enjoy the very best entertainment on tap courtesy of the Harman Kardon® Logic 7® surround sound system (optional extra). Perfectly balanced surround sound is complemented by the music of your choice. Whether it be an iPod, iPhone or MP3 player*, simply plug your device into the aux-in socket in the glove compartment. The socket is included as standard in conjunction with the optional audio systems.

The only thing you won't like is having to turn off the music at some point and get out. Then you'll have to find something else to entertain you.



* For an optimal sound experience, the MP3 files should be at least 128 kbit/s







My CLC-Class



D S 0U 9573



Sport de luxe

The sports package for your CLC

Creating a special impression requires a special form of expression. This is given to the CLC by the optional sports package. Thanks to the sports suspension, the body sits visibly lower, and the innovative direct-steer system with variable steering ratio is also part of the sports package. You can actually feel all of this in the more direct handling and the enhanced agility.

The most striking features of this tailored sports attire for your CLC are the 18-inch 5-twin-spoke light-alloy wheels. Meanwhile darkened-effect projection-beam headlamps and the radiator grille with black louvres and chrome inserts accentuate the expressiveness.



The air intake grille with its atlas grey mesh design



The sound-optimised exhaust system





The 3-spoke leather sports steering wheel continues the dynamic theme of the sports package in the interior. Dark brushed-aluminium trim elements and an instrument cluster with red needles and chequered-flag design set the tone. The speedometer and rev counter spring into life when the ignition is switched on. At rest in the 6 o'clock position, the needles move around the entire dial once before returning to their zero positions, ready for the off, within a fraction of a second. These are just some of the benefits. Others include the standard-fit sports seats in ARTICO man-made leather with a perforated seat surface. For the even more discerning, leather appointments in cognac brown are available as an exclusive optional extra for the sports package. After all, uniqueness is the norm for the CLC with sports package.



The easy-grip leather sports steering wheel



The studded stainless-steel sports pedals

Luxury is also about personal preference

For discerning tastes: exclusive package and comfort package

The upgraded appointments in the Exclusive package are designed for those who feel that even everyday luxury is too ordinary. This package enables you to further personalise the CLC with a wide range of options, for example the memory function for the seat settings for the driver and front passenger or the THERMOTRONIC luxury automatic climate control system.



Electric seat adjustment with memory function

Those who spend a lot of time on the road will feel perfectly at home in the CLC with Comfort package. Useful features of this equipment package include a rain sensor, electrically folding exterior mirrors, an automatic dimming function and a tyre pressure loss warning system, all with the focus firmly on comfort and convenience.



THERMOTRONIC luxury automatic climate control



Tyre pressure loss warning system



Rain sensor



One of the electrically folding exterior mirrors



STANDARD EQUIPMENT (selection)

Airbags and sidebags for driver and front passenger, plus windowbags for driver, front passenger and rear passengers

Belt tensioners with belt-force limiters front and rear

Brake Assist (BAS)

Chrome package: chrome highlights for bumpers and rub strips

Designer key (ignition key with chrome highlight)

DIRECT CONTROL 6-speed manual transmission

DIRECT CONTROL power steering with safety steering column

DIRECT CONTROL suspension

Door sill panels with "Mercedes-Benz" lettering

EASY-ENTRY system for rear passengers

Electronic Stability Program (ESP®)

Exterior mirrors with integral LED indicators

Headlamp Assist

Heated rear windscreen

Height-adjustable front armrest, with stowage compartment and cup holder

Outside temperature display

Power windows (2), including one-touch control and obstruction sensor

Steering column manually adjustable for height and reach

THERMATIC automatic climate control with separate temperature control for driver and front passenger, dust filter and activated charcoal filter and air recirculation switch with convenience function and ventilation outlets for the rear

Through-loading feature, rear seats fold fully or with 1/3 : 2/3 split



The wide coupé radiator grille with chrome highlights



The two-tone tail lights and the third brake light



The exterior mirror with integral LED indicator

STANDARD EQUIPMENT (selection)

 ASSYST service interval indicator

 Central locking with interior switch and crash sensor

 Clear-lens headlamps, indicators, tail lights and brake lights with high-brilliance effect

 Cruise control with SPEEDTRONIC variable speed limiter

 Fabric/ARTICO man-made leather upholstery

 Fog lamps

 First-aid kit

 Front sports seats with reinforced lateral support

 Headlamp range adjustment

 Height-adjustable front seat belts, rear seat belts with automatic height adjustment

 Immobiliser with ELCODE locking system and infrared remote control

 Multifunction steering wheel with three-spoke design

 Particulate filter for diesel models

 Seat occupancy sensor for front-passenger seat

 Side-impact protection

 Steering column manually adjustable for height and reach

 Sun visor with vanity mirror

 Tinted windows

 "TIREFIT" tyre sealant kit with electric air pump

 Trim elements in pale brushed aluminium

 Trip computer in the multifunction display

 Warning buzzer that sounds if the vehicle lights are left on and the parking brake is applied

 Windscreen wiper system with one-touch control



The automatic climate control with aluminium trim elements



The Headlamp Assist system



The designer key

OPTIONAL EXTRAS (selection)	CLC 200 CDI	CLC 220 CDI	CLC 180 KOMPRESSOR	CLC 200 KOMPRESSOR	CLC 230	CLC 350
7G-TRONIC 7-speed automatic transmission	-	-	-	-	●	●
Bi-xenon headlamps with headlamp cleaning system, dynamic range adjustment and cornering light function	●	●	●	●	●	●
Leather steering wheel and leather shift lever	●	●	●	●	●	●
Panoramic sunroof and sun visors with illuminated vanity mirror	●	●	●	●	●	●
Audio 50 APS radio with CD navigation system	●	●	●	●	●	●
Sidebags in rear	●	●	●	●	●	●
Sports suspension	●	●	●	●	●	●
Harman Kardon® Logic 7® surround sound system	●	●	●	●	●	●
Dark-tinted, heat-insulating glass for rear side windows and rear windscreen	●	●	●	●	●	●
Trim elements in bird's-eye maple	●	●	●	●	●	●

● Optional extra ○ Standard equipment - Not available



The dark-tinted, heat-insulating glass at the rear



Panoramic sliding sunroof



Bi-xenon headlamp and fog lamp/cornering light function

EQUIPMENT PACKAGES (selection)	CLC 200 CDI	CLC 220 CDI	CLC 180 KOMPRESSOR	CLC 200 KOMPRESSOR	CLC 230	CLC 350
Exclusive package: memory function for electrical adjustment of the driver's seat, steering column and exterior mirrors as well as THERMOTRONIC automatic climate-control system	●	●	●	●	●	●
Comfort package: rain sensor, interior mirror and driver's-side exterior mirror with automatic dimming function, exterior mirrors left and right electrically folding, tyre pressure loss warning system	●	●	●	●	●	●
Sports package: including direct-steer system, sports suspension, 18-inch 5-twin-spoke light-alloy wheels, ARTICO man-made leather upholstery in a choice of 2 variants, 3-spoke leather sports steering wheel with multifunction capability	●	●	●	●	●	●

● Optional extra ○ Standard equipment – Not available



The COMAND APS control and display system



The LINGUATRONIC voice-operated control system



The PARKTRONIC system with LED display

Create an even greater impression – the wheels for your CLC

OPTIONAL EXTRAS



Optional extra: 16-inch
5-spoke light-alloy wheel (standard for CLC 230)



Optional extra: 17-inch
5-twin-spoke light-alloy wheel (standard for CLC 350)



Optional extra: 17-inch
5-twin-spoke light-alloy wheel



Optional extra: 17-inch
6-spoke light-alloy wheel



Standard for sports package: 18-inch
5-twin-spoke light-alloy wheel



Optional for sports package: 18-inch
multi-spoke light-alloy wheel

AMG



Optional extra: 18-inch AMG 5-spoke light-alloy wheel

ACCESSORIES



Genuine accessories: 18-inch incenio "Almuredin" designer wheel, painted in sterling silver

A wide range of sporty wheel designs are available for the CLC, depending on the engine size. Regardless of whether you opt for 16-, 17- or 18-inch wheels, each design elegantly accentuates the Sport Coupé's expressive appeal.



An ideal starting point – genuine accessories

As well as being styled for maximum appeal, each and every detail of a Mercedes is also designed for maximum practicality. Take the handy accessories such as the aerodynamic roof box or the swivelling ski and snowboard rack, for instance. Not only does your sports equipment stay safe and well protected until you arrive at your destination, it is also easy to load and unload.



Ski and snowboard rack

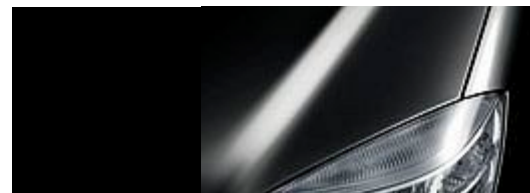
Furthermore, practical luggage nets allow you to stow loose items such as toys, footballs or running shoes out of harm's way whilst you are driving. So there's a safe place for everything on board the CLC. And there is one other thing you can be sure of: only genuine Mercedes accessories are designed to fit your Mercedes perfectly.



Luggage nets for the boot floor and the boot sill

The CLC paintwork puts the finishing touch to the carefully crafted Mercedes-Benz corrosion-protection system, which includes zinc phosphating and electrophoretic dip priming stages for long-lasting protection. We also make very extensive use of eco-friendly water-based paints.

NON-METALLIC PAINT



040 black

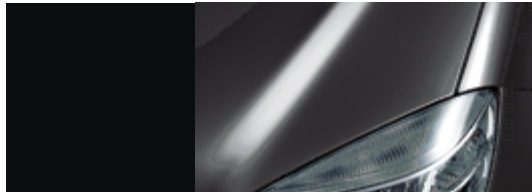


590 fire opal



650 calcite white

METALLIC PAINT



112 chromite black



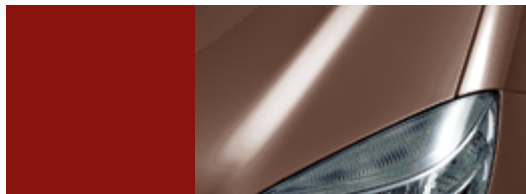
359 tanzanite blue



755 tenorite grey



197 obsidian black



544 carneol red



775 iridium silver

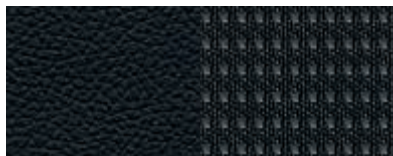


345 jasper blue

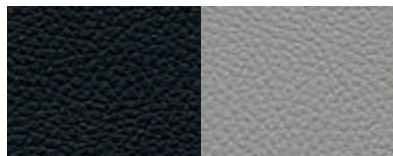


723 cubanite silver

FABRIC/ARTICO MAN-MADE LEATHER



721 black/black

ARTICO MAN-MADE LEATHER¹171 black²

LEATHER

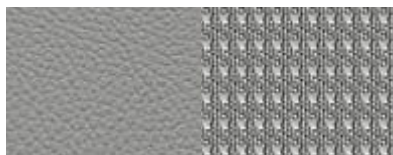


241 black

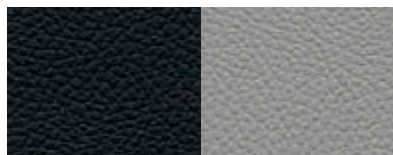
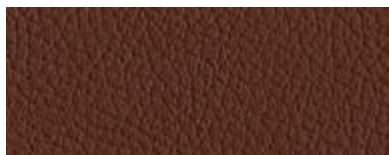
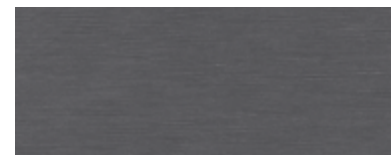
TRIM ELEMENTS



Aluminium, brushed, pale



728 alpaca grey /alpaca grey

178 alpaca grey³244 cognac brown¹Aluminium, brushed, dark¹

767 black-red/black



248 alpaca grey



Wood, bird's-eye maple in black

¹ Only available for sports package² Centre console, door panels and rear side panels and carpet in black, seats in alpaca grey/black³ Centre console, door panels, rear side panels in alpaca grey, carpet in black, seats in alpaca grey/black

	FABRIC/ARTICO MAN-MADE LEATHER	black/black alpaca grey/alpaca grey black-red/black	ARTICO MAN-MADE LEATHER	black alpaca grey	LEATHER	black cognac brown alpaca grey
NON-METALLIC PAINT						
black	●	● ● ●		● ●		● ● ●
fire opal	●	● ● ○		● ●		● △ ●
calcite white	●	● ● ●		● ●		● ● ●
METALLIC PAINT						
chromite black	●	● ● ●		● ●		● △ ●
obsidian black	●	● ● ●		● ●		● ● ●
jasper blue	●	○ △		● ○		● △ ○
tanzanite blue	●	● ● ○		● ●		● ○ ●
carneol red	●	● ● ●		● ●		● △ ●
cubanite silver	●	● ● ○		● ●		● ● ●
tenorite grey	●	● ● ○		● ●		● ○ ●
iridium silver	●	● ● ●		● ●		● ● ●

● Recommended

○ Possible

△ Not recommended

	CLC 200 CDI	CLC 220 CDI	CLC 180 KOMPRESSOR	CLC 200 KOMPRESSOR
No. of cylinders/arrangement	4/in-line	4/in-line	4/in-line	4/in-line
Total displacement (cc)	2148	2148	1796	1796
Rated output ¹ (kW at rpm)	90/4200	110/4200	105/5200	135/5500
Rated torque ¹ (Nm at rpm)	270/1600-2800	340/2000	220/2500-4200	250/2800-5000
Compression ratio	18.0	18.0	9.3	8.5
Acceleration 0- 100 km/h (s) (automatic transmission)	11.3 (11.1)	9.7 (9.4)	9.7 (9.9)	8.6 (8.7)
Top speed, approx. (km/h) (automatic transmission)	206 (205)	224 (219)	220 (215)	235 (231)
Tyre size	front	205/55 R 16	205/55 R 16	205/55 R 16
	rear	205/55 R 16	205/55 R 16	205/55 R 16
Fuel	Diesel	Diesel	Premium unleaded	Premium unleaded
Fuel consumption ² (l/ 100 km)				
urban (automatic transmission)	7.7-7.9 (8.8-8.9)	7.8-8.1 (8.8-8.9)	11.0- 11.3 (11.1- 11.7)	11.0- 11.4 (11.6- 11.9)
extra-urban (automatic transmission)	4.7-5.1 (5.4-6.1)	4.8-5.2 (5.2-5.6)	5.7-6.2 (5.9-6.4)	5.9-6.4 (6.2-6.7)
combined (automatic transmission)	5.8-6.1 (6.6-7.1)	5.9-6.3 (6.6-6.8)	7.7-8.1 (7.8-8.3)	7.8-8.2 (8.1-8.6)
CO ₂ emissions ² (g/km) (automatic transmission)	152- 161 (174- 188)	156- 166 (172- 179)	182- 192 (186- 198)	185- 196 (194- 204)
Tank capacity (l), including reserve, approx.	62/8	62/8	62/8	62/8
Turning circle (m)	10.76	10.76	10.76	10.76
Kerb weight ⁴ (kg)	1505	1530	1475	1480
(automatic transmission)	(1525)	(1550)	(1495)	(1500)
Permissible gross vehicle weight (kg)	1960	1985	1945	1950
(automatic transmission)	(1960)	(1985)	(1945)	(1950)

	CLC 230	CLC 350
No. of cylinders/arrangement	6/V	6/V
Total displacement (cc)	2496	3498
Rated output ¹ (kW at rpm)	150/6100	200/6000
Rated torque ¹ (Nm at rpm)	245/2900–5500	350/2400–5000
Compression ratio	11.2	10.7
Acceleration 0–100 km/h (s) (automatic transmission)	8.4 (8.6)	6.3 (6.3)
Top speed, approx. (km/h) (automatic transmission)	240 (234)	250 ³ (250 ³)
Tyre size	front	205/55 R 6
	rear	205/55 R 16
		225/45 R 17
		225/45 R 17
Fuel	Premium unleaded	Premium unleaded
Fuel consumption ² (l/100 km)		
urban (automatic transmission)	13.3–13.6 (13.2–13.4)	13.7–14.0 (13.9–14.2)
extra-urban (automatic transmission)	6.7–7.1 (6.8–7.3)	7.0–7.3 (7.3–7.6)
combined (automatic transmission)	9.2–9.5 (9.1–9.5)	9.5–9.8 (9.7–10.0)
CO ₂ emissions ² (g/km) (automatic transmission)	218–225 (217–226)	227–234 (232–239)
Tank capacity (l), including reserve, approx.	62/8	62/8
Turning circle (m)	10.76	10.76
Kerb weight ⁴ (kg)	1525	1550
(automatic transmission)	(1545)	(1570)
Permissible gross vehicle weight (kg)	1995	2020
(automatic transmission)	(1995)	(2020)

¹ Figures according to Directive 80/1269/EEC in the currently applicable version

² The figures shown were obtained in accordance with the prescribed measuring process (Directive 80/1268/EEC in the currently applicable version). The figures are not based on an individual vehicle and do not constitute part of the product offer; they are provided solely for purposes of comparison between different vehicle models.

³ Electronically limited

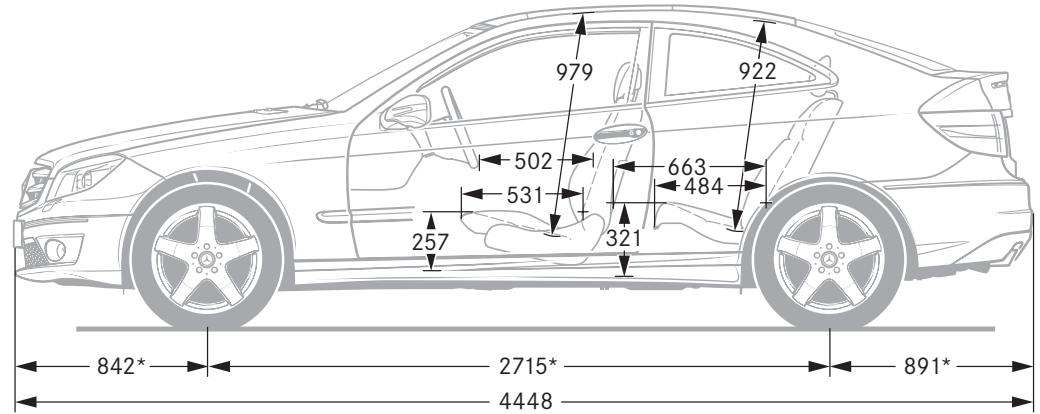
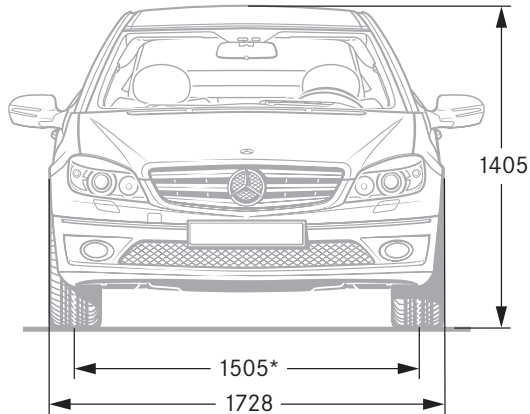
⁴ Figures according to Directive 92/21/EC, version 95/48/EC (kerb weight with fuel tank 90% full, driver, 68 kg, and luggage, 7 kg) for standard-specification vehicles. Optional extras and accessories will generally increase this figure and reduce the payload capacity accordingly

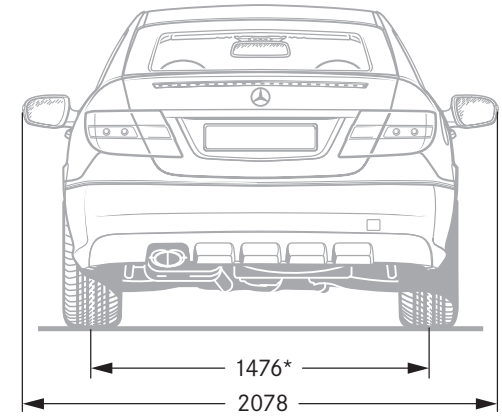
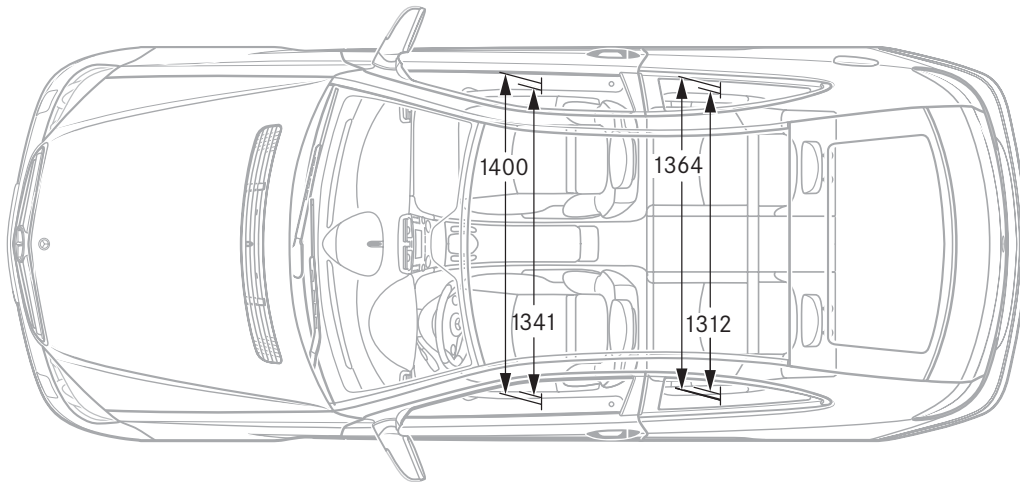
How much space will the CLC take up in your life?

The CLC dimensions at a glance

We could write at great length about its everyday practicality. Or about the fact that it is one of the shortest and lowest-slung Mercedes-Benz

models of all. But we think you should drive it yourself first. You can see the rest on the illustrations below.





All measurements in millimetres. The dimensions shown are mean values and apply to standard-specification, unladen vehicles

* Carrying 3 people, each weighing 68 kg



Anyone opting for a Mercedes buys far more than just a car

The comprehensive service from Mercedes-Benz

Service24h. One thing that will always accompany you in your new Mercedes is a feeling of reassurance. Because Mercedes-Benz Service24h is there for you at any time, on 365 days of the year. In the very unlikely event of a technical problem or a breakdown anywhere in Europe, you can rely on round-the-clock assistance from Mercedes-Benz Service24h. Simply phone our Service hotline on 00800 1 777 7777*, where our specialists are available at all times of the day and night to take your call and immediately organise professional assistance. As soon as your call is received, a member of our Service24h team will be dispatched to your location. Often the problem can be rectified on the spot, but if this is not possible, we will naturally ensure that your vehicle is taken to the nearest Mercedes-Benz workshop.

MercedesCard. It acts as your ticket to the world of Mercedes-Benz and doubles as a handy credit card – the fee is even waived in return for answering the annual questionnaire. In the regular MercedesCard Journal, you'll find details of attractive products as well as of exclusive sporting, cultural and travel packages. In the Mercedes Magazine, you can read fascinating articles about all aspects of the Mercedes-Benz brand. What's more, your MercedesCard Visa grants you free entry to the Mercedes-Benz Museum. Further information can be found at www.mercedes-benz.de/mercedescard

Information about the MercedesCard in Austria and Switzerland can be found on the national Mercedes-Benz websites.

Mercedes-Benz Bank. If you have already set your heart on your dream Mercedes and want to remain flexible in financial terms, you may be interested in our range of financial services. Our single-source leasing, financing, insurance and service packages could be exactly what you're looking for. The on-line calculator allows you to work out your monthly payments for yourself. In addition to individually geared financial services for your vehicle, we can also offer you attractive investment products, including instant-access savings, fixed-interest investments and funds. For further information, call us on 01803/32 22 65 (9 ct/min from a Deutsche Telekom landline, different prices apply when calling from a mobile), or visit: www.mercedes-benz-bank.de



Time to taste a new experience

Take your dream car for a test drive

Nowhere is a Mercedes so convincing as on the road. For it is only there that you can fully experience the effortlessly superior handling which makes these cars so special. You can feel how the mighty engine powers the vehicle onwards and how the precise steering movements have a direct impact on your own frame of mind. The special atmosphere which arises during a drive in a Mercedes cannot be put down on paper. That's why we would like to invite you to take a test drive. Your Mercedes-Benz dealer will be happy to arrange everything for you. To locate a dealer, please see the Mercedes-Benz website for your market. We look forward to seeing you.

You can also find the interactive Owner's Manual on the internet. Here, a series of information clips and simulations allow you to already start familiarising yourself with the functions of your car of choice. Further details can be found at: www.mercedes-benz.de/betriebsanleitung

Take-back of end-of-life vehicles. Coming full circle. At the end of its long life, you can return your CLC-Class to us for environment-friendly disposal in accordance with the EC End-Of-Life Vehicle Directive¹. But that day lies a long way off.

¹ Applies in accordance with national regulations to vehicles up to 3.5 tonnes gross weight. Mercedes-Benz passenger cars have met the statutory regulations governing the suitability of their design for reuse and recycling for a number of years now. A network of vehicle take-back depots and dismantlers has been established which will process your vehicle in an environment-friendly manner. The ways in which both vehicles and parts can be recovered are subject to ongoing development and improvement. Consequently, the CLC-Class will be able to comply with any future increases in the recycling quota within the stipulated time limits. For further information, please call 00800 1777 7777.

Please note: changes may have been made to the product since this brochure went to press (31.01.2008). The manufacturer reserves the right to make changes to the design, form, colour and specification during the delivery period, provided these changes, while taking into account the interests of the vendor, can be deemed reasonable with respect to the purchaser. Where the vendor or the manufacturer uses symbols or numbers to describe an order or the subject of an order, no rights may be derived solely from these. The illustrations may show accessories and items of optional equipment which are not part of standard specification. Colours may differ slightly from those shown in the brochure, owing to the limitations of the printing process. This brochure has been compiled by Daimler AG and is distributed internationally. Information concerning legislative, legal and fiscal regulations and circumstances applies only to the Federal Republic of Germany at the time of going to press. For current and more specific information in relation to the regulations and circumstances in other countries, please contact your nearest authorised Mercedes-Benz Passenger Car Dealer. www.mercedes-benz.com