

This brochure has been compiled by DaimlerChrysler AG of Germany and is distributed internationally. It provides a general indication of the range of models, features, optional extras and/or colours available in various countries. Some of the models, features, optional extras and/or colours shown may not be available in your country or may only be available in a different specification. Additionally some models, features, optional extras and/or colours may only be available in combination with others. For current and more specific information in relation to the range of models, features, optional extras and/or colours available in your country, and their pricing, you should contact your nearest authorised Mercedes-Benz Passenger Car Dealer.



Mercedes-Benz



THE VIANO

	The Viano
04	Introduction
06	Viano Trend
10	Viano Ambiente
14	Flexibility
18	Handling
20	Safety
22	Dimensions
23	Technical data
24	Optional extras
26	Accessories
28	Paintwork and upholstery

Liberty consists in doing what one desires



Whatever life has in store: you'll be ready with the Viano

Real freedom is the freedom to make up your own mind

Paraglider or surfboard? Alone or with the whole family? Day trip or voyage of discovery? Just three of the many questions to which you will be able to reply with an emphatic "we'll see" in future. Because the Viano is a vehicle designed to offer you a whole world of possibilities. The option of a petrol or diesel engine, flexible design and superb selection of equipment mean that there's plenty of scope for creating the vehicle you want. The Viano comes complete with an active and passive safety package, a superb standard of comfort and a practical, user-friendly design. With plenty of space for up to 8 people (at extra cost, 7 is standard), the Viano positively encourages you to head for the hills (or anywhere else for that matter) and leave the daily routine behind.

We've taken the concept of comfort to new lengths

Everybody has their own ideas about what they want in a vehicle which is why there are two different model lines of the Viano: the Trend and the Ambiente. Common to both model lines are the characteristics – styling, interior design, choice of engines, handling and manoeuvrability – which make the Viano an enticing choice.





The Viano Trend: the answer to questions you haven't even thought of yet

Space, comfort and versatility

There are situations in life which call for an unconventional approach. It may be because the established solutions are no longer sufficiently flexible or up-to-date, or because they lack the necessary capacity. That's why we have developed the Viano Trend. Seven people (or, optionally, six or eight) can relax in its comfortable, velour-upholstered seats and enjoy a degree of spaciousness for which "generous" is a wholly inadequate description. The five rear seats can be adjusted in 25 mm increments thanks to the practical floor rails and can also be completely removed – simply and easily. Already extremely comfortable in its standard form, the interior can be individualised with optional extras (at extra cost) such as a front sliding glass sunroof and a panoramic glass roof for

the rear passengers. And because people who like to make the most of their leisure time tend to have a lot of baggage, we've given the Viano plenty of luggage space as well as lots of handy storage facilities. Incidentally, you don't have to be a large family to make full use of the Viano Trend. You'll find that two people can get just as much fun out of it.



Comfort comes as standard: the Viano Trend

Trend Standard equipment

Rear seating configuration:

1st row - 2 individual rear seats with armrests

2nd row - 3-seater bench seat

3-point seat belts for all seats, with belt tensioners and belt force limiters for driver and front passenger

5-speed automatic transmission with touchshift

12V plug in the passenger compartment

16" light alloy wheels, 7 twin-spoke (3.5 Trend with 17" light alloy wheels, 6-spoke)

Ashtray and drink holders in rear passenger compartment, left and right

'Casca' velour upholstery

Central locking with radio remote control

Centre console with large storage compartment

Cupholder, in front

Disc brakes all round

Driver and front passenger sun visors with illuminated mirrors

Electronic Stability Programme (ESP®) including Anti-lock Braking System (ABS), Acceleration Skid Control (ASR) and Brake Assist (BAS)

Electronic brake force distribution

Engine immobiliser

Exterior mirrors electrically adjustable, heated

First aid kit

Front airbags for driver and front passenger

Full size spare wheel

Heat absorbing glass

Interior light control panel in the front with individual reading lights

Interior lights in the grab handles in the rear

Interior trim in matt chrome 'silverstone'

Lockable glovebox

Luxury cockpit with superior finish

Luxury driver and front passenger seats, manually adjustable

Multi-function steering wheel

Outside temperature display

Power vent windows at 2nd rear seat row, left and right

Power windows for driver and front passenger, with convenience feature and obstruction sensor

Radiator grille with chrome highlights

Roof rails

Safety steering column

Seat rail system

Service interval indicator "ASSYST"

Single CD player, in dash

SPEEDTRONIC cruise control system

Steering column adjustable for height and reach

Storage compartment with hinged lid on upper console

THERMOTRONIC automatic air-conditioning with front and rear ventilation

Warning triangle

Window in tailgate with wash/wipe system

Vehicle-coloured bumpers, rub strips and door handles



The Viano Trend standard features:

1. Interior trim in matt chrome 'silverstone'
2. 'Casca' velour upholstery
3. 16" light alloy wheels, 7 twin-spoke
4. Front power windows and rear power vent windows
5. Central locking with radio remote control
6. THERMOTRONIC automatic air-conditioning with front and rear ventilation
7. Green tinted heat absorbing glass
8. SPEEDTRONIC cruise control system
9. Exterior mirrors electrically adjustable and heated
10. Centre lighting console with individual reading lamps
11. Multi-function steering wheel and display





The Viano Ambiente. Enchantment, whatever the distance

Welcome to the comfort zone

For some people, travelling is more than just a matter of getting from A to B. These are the customers we had in mind when we developed the Viano Ambiente, a vehicle full of exciting possibilities which positively encourages you to enjoy the journey to the full.

Inner values

Where you're going is sometimes less important than how you get there – a philosophy which the Viano Ambiente embraces with real panache. Stylish and elegant luxury appointments combine with a trend-setting design, to set new standards. You'll see what we mean (and your senses of smell and touch will confirm it) as soon as you get in.



The Viano Ambiente. For any more luxury, you'd need cabin crew

The Ambiente line contains the following features in addition to the Trend

17" light alloy wheels, 6-spoke

CD changer, 6 disc

Courtesy lights in doors

Front side airbags, left and right

Interior trim in 'burr walnut' (effect)

Leather upholstery

Leather steering wheel and gearshift lever

Pockets on back of front seats

Self-levelling air suspension for the rear



1.



2.



- The Viano Ambiente standard features:*
1. 17" light alloy wheels, 6-spoke
 2. Leather multi-function steering wheel and gearshift lever
 3. CD changer, 6 disc
 4. Front side airbags, left and right
 5. Leather upholstery
 6. Pockets on back of front seats
 7. Self-levelling air suspension
 8. Interior trim in 'burr walnut' (effect)

3.



4.



5.



6.



7.



8.





On your marks! Get set! Enjoy!

Flexible interior gives you the freedom you want
There are plenty of different approaches when it comes to creating a flexible interior. We focused on safety, comfort and ergonomics, and fitted the Viano with a rail system which allows the comfortable and versatile individual seats and bench seats to be adjusted in 25-mm increments – a quick and easy process. The result is an interior that takes everyday demands and challenges in its stride – from ferrying the entire family plus their luggage away on holiday, to coping with a serious amount of shopping, a volleyball team, that bargain from the flea market, a stack of crates ...



Viano's luxury individual seats (1st row, rear) have adjustable backrests which can be folded down onto the cushion to form a horizontal surface. The seats can also be put into their compact "stowed" position to save space

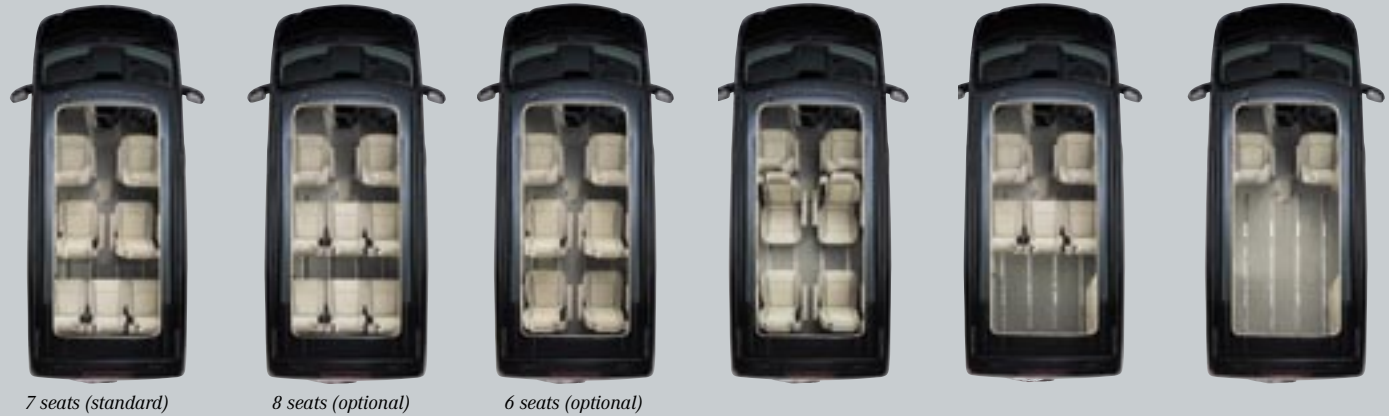


All of which goes to make the Viano a desired vehicle for people who like to travel with their family or friends, who prefer to take a laid-back approach to the challenges of everyday life or who simply want a particularly spacious vehicle for their business trips. And, of course, it's a vehicle for people who want to be ready for unexpected eventualities. This flexibility comes attractively packaged in an appealing interior which is available in two model lines and complimented by a host of special equipment, available at additional cost.

The extremely flexible seat adjustment system is very useful not only for the passengers, but also when you need to alter the size of the luggage compartment

The Viano is equipped standard with seven seats (incl. driver and front passenger). An optionally available 3-seater bench seat can be fitted (at extra cost), making it possible to carry up to eight occupants

Similarly, the rear bench seat can be replaced by two individual chairs (free of charge option) to give you executive levels of luxury



Sitting room, relaxation room or office – it's entirely up to you
A rail-mounted seating system makes it possible for the Viano's individual and bench seats to be moved safely and easily in very closely spaced (25 mm) increments. This results in a vast range of seat configurations which can be adjusted to meet your specific requirements whenever necessary. Thanks to the ease with which the seats can be arranged in a face-to-face configuration, it is possible to create a desirable setting in which the passengers can talk to each other or work at the folding table (at extra cost) during the journey. The inclination of the rear seat backrests can also be adjusted – a particularly useful feature when you want to relax.

Ease and convenience

If you ever need to remove the rear seats entirely, (the driver and front passenger seat cannot be removed) it's good to know that the procedure is just as easy as that for reconfiguring their layout: all you have to do is place the seat in its stowed position, undo the quick-release lock and lift the seat out of the rails – it's as simple as that. The integral three-point seat belt stays with the seat, which reduces the risk of it being damaged by the load. This conversion process requires no tools and is so quick that it can be performed whenever there is a need to carry a large load – and the seats are not required.



The seats in the Viano can be adjusted easily in increments of 25 mm





Appeal on wheels. Even at the steering wheel

Dynamically superior

As far as their driving performance is concerned, Multi-Purpose Vehicles have to meet some challenging requirements: on the one hand, they're expected to offer as much space as possible; on the other, they should have excellent handling and ride characteristics. The Viano demonstrates that these conflicting demands really can be reconciled. How's it done? Well, there's the advanced chassis, which not only provides a superbly dynamic and comfortable ride but also good safety standards, not least thanks to the standard ESP[®] system.



Then there's the rear-wheel drive, which helps to ensure that no torque-steer effects are felt and that the handling retains its forgiving character. Or the all-round independent suspension and air suspension for the rear axle (standard on the Ambiente), the benefits of which are particularly apparent when towing a trailer. And finally, there's the Viano's excellent manoeuvrability which helps to ensure that it always cuts a fine figure, even in the hustle and bustle of city driving.

A longitudinally-mounted front engine in combination with rear-wheel drive and ESP®: the Viano has got what it takes to help to ensure consistently good traction control

Good sense and great fun have seldom paired up so well

The safety concept of Viano: more is better

Designed to provide a high level of active and passive safety, the Viano is equipped with an extensive range of safety features, the key element being the safety body with its high-strength passenger cell and load-bearing members. Other important features include the safety steering column, 3-point seat belts for all seats, and belt tensioners plus belt force limiters for the driver and front passenger seats. A front driver airbag is standard as is a front passenger airbag with seat occupancy sensor. Even more extensive airbag protection is available in the form of optional front side airbags (standard on the Ambiente) and optional windowbags for the driver and front passenger, both available at extra cost.

Circuits that keep you on track

Another of Viano's standard safety features is the latest generation of the Electronic Stability Programme (ESP[®]) which also incorporates the Anti-lock Braking System (ABS) in combination with Acceleration Skid Control (ASR), Electronic Brake Force Distribution (EBV) and the hydraulic Brake Assist System (BAS). Together, these systems help to improve directional stability and traction in critical situations. Working in conjunction with Viano's powerful brake system, ABS, BAS and EBV help to keep stopping distances reassuringly short and help to ensure that the vehicle remains easy to control, even during emergency braking.

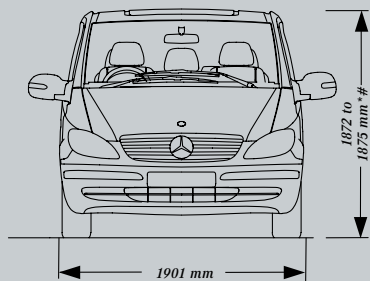


Whether in individual or bench form, all the seats in the Viano have 3-point seat belts.

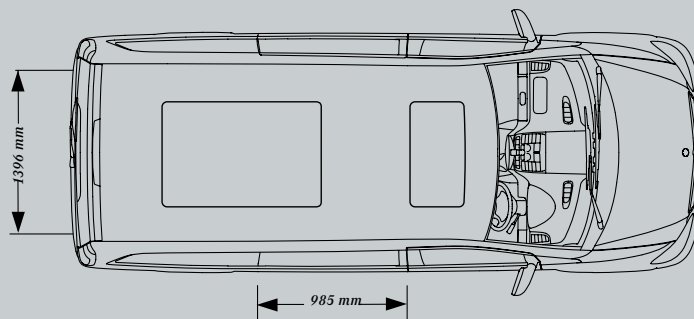
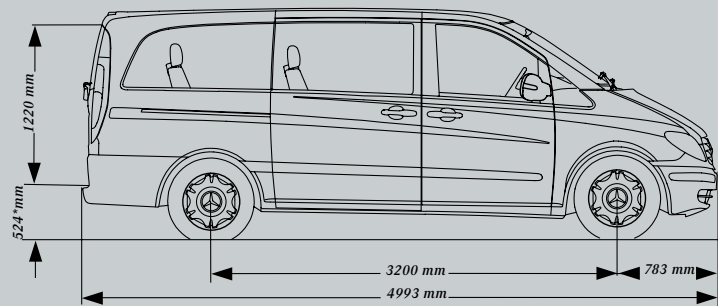
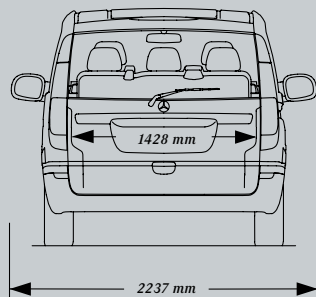
The driver and front passenger seats also have belt tensioners and belt force limiters.

Artificial inflation of airbag for photo purposes only, showing front side airbags (standard on Ambiente, optionally available at extra cost for Trend), and windowbags (optionally available at extra cost).

Dimensions



*Unladen vehicle
#Roof rails increase height by 48 mm



Technical data

	<i>Viano CDI 2.2</i>	<i>Viano 3.5</i>
<i>Engine type</i>	<i>turbocharged diesel</i>	<i>petrol</i>
<i>Number of cylinders/arrangement</i>	<i>4/in-line</i>	<i>6/V</i>
<i>Total displacement (cc)</i>	<i>2148</i>	<i>3724</i>
<i>Rated output (kW at rpm)</i>	<i>110/3800</i>	<i>170/5600</i>
<i>Max. torque (Nm at rpm)</i>	<i>330/1800-2400</i>	<i>345/2500-4500</i>
<i>Acceleration from 0-100km/h (s)</i>	<i>13.4</i>	<i>9.1</i>
<i>Fuel consumption (l/100km)¹</i>	<i>8.8</i>	<i>13.2</i>
<i>CO₂ emissions (g/km)</i>	<i>227</i>	<i>309</i>
<i>Top speed, approx. (km/h)</i>	<i>179</i>	<i>199</i>
<i>Kerb weight² (kg)</i>	<i>2065</i>	<i>2085</i>
<i>Gross weight rating (kg)</i>	<i>2940</i>	<i>2940</i>
<i>Towing capacity (kg)</i>	<i>2000/750</i>	<i>2000/750</i>
<i>Tank capacity (l)</i>	<i>75</i>	<i>75</i>
<i>Tyre size</i>	<i>205/65 R16 - Trend 225/55 R17 - Ambiente</i>	<i>225/55 R17 - Trend & Ambiente</i>
<i>Maximum roof load (kg)</i>	<i>150</i>	<i>150</i>
<i>Turning circle (m)</i>	<i>11.8</i>	<i>11.8</i>

¹ Figures according to ADR 81/01

² According to DIN 70020: incl. driver (68kg), luggage (7kg), all service fluids and tank 90% full, based on Trend line

Ready for you – even your extra requirements

Optional extras available at extra cost

6 seats - four individual seats in the rear

8 seats - two bench seats in the rear

17" light alloy wheels, 6-spoke

Anti-theft alarm system

CD changer, 6 disc, below driver's seat¹

COMAND system (Cockpit management and data system) incorporating navigation, AM/FM radio, CD player and telephone functionalities (optional)

Dark tinted glass in rear

Driver and front passenger seats electrically adjustable with memory

Electrically folding exterior mirrors

Foldaway table in rear

Front side airbags, left and right¹

Glass electric sunroof with lifter, front

Glass electric sunroof with lifter, rear

Headlight assist & rain sensor

Headlight cleaning system

Heated front seats

Leather steering wheel and gearshift¹

Linguatronic (voice control for COMAND)

Load compartment floor (extending)

Lumbar support for driver and front passenger seats

Metallic paint

Parktronic system

Pockets on back of front seats¹

Rear Entertainment System (screen with DVD)²

Sliding windows for sliding door, left and right

UHI, mobile phone pre-installation

Windowbags for driver and front passenger

¹ Standard with Ambiente Line

² Only available in conjunction with COMAND Control and Display System



- Options available at extra cost:*
1. Glass electric sunroof, with lifter, rear
 2. 17-inch light alloy wheels, 6-spoke
 3. Driver and front passenger seats electrically adjustable with memory
 4. Load compartment floor (extending)
 5. UHI, mobile phone pre-installation (shown with cradle, available at extra cost)
 6. Dark tinted glass in rear
 7. COMAND system
 8. Foldaway table in rear
 9. Parktronic system



**With the accessory ideas for the Viano,
there's no limit to what you can achieve**

A helping hand for convenience and practicality
With a range of genuine accessories from Mercedes-Benz, the realm of possibilities for adding to the existing comprehensive standard and optional specifications is virtually boundless. A selection of practical and intriguing ideas offering supreme quality and safety, tailor-made for your Viano. So get ready to go out and explore new horizons.



- Viano Accessories
(available at extra cost)*
1. *Luggage compartment storage pocket set*
 2. *Leather steering wheel with 'silverstone' or 'burr walnut' (effect) trim*
 3. *Floor mats*
 4. *Alustyle rail-mounted basic carrier bars*
 5. *Stainless-steel side skirts, 17" light-alloy wheels, 5-spoke*
 6. *Luggage retention net*
 7. *Luggage compartment cover*
 8. *Luggage compartment tray, deep*
 9. *Coolbox and stainless steel thermos flask*

Possible paint and upholstery combinations

	Standard Paints	Magma red 3586	Arctic white 9147	Dark violet 4513	Mellite yellow 1247	Aqua green 6830	Atlantis blue 5373	Velvet red 3583	Metallic Paints (available at extra cost)	Carbon black 9154	Brilliant silver 9744	Amber red 3548	Andradite green 6816	Jasper blue 5345	Lugano grey 7735
<i>Trend</i>															
"Casca" orion grey	■	■	■	■	■	■	■		■	■	■	■	■	■	■
"Casca" stone	□	□	■	—	■	—	■		■	□	■	■	□	—	
<i>Ambiente</i>															
"Catania" leather, two-tone orion grey/mid orion grey	■	■	■	■	■	■	■		■	■	■	■	■	■	■
"Catania" leather, two-tone stone/mid pebble	□	□	■	—	■	—	■		■	□	■	■	□	—	

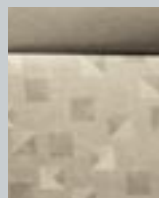
■ Recommended □ Possible — Not recommended

Trend

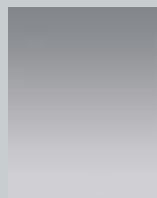
"Casca" velour upholstery with "silverstone" trim



orion grey
VT5



stone
VT6



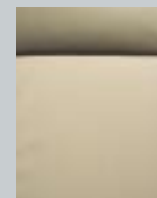
"silverstone" trim

Ambiente

"Catania" leather upholstery with 'burr walnut' (effect) trim



orion grey/mid
orion grey
VT7



stone/mid pebble
VT8



'burr-walnut'
(effect) trim

Standard paint



Magma red - 3586



Arctic white - 9147



Dark violet - 4513



Mellite yellow - 1247



Aqua green - 6830



Atlantis blue - 5373



Velvet red - 3583

Metallic paint
optional
(available at extra cost)



Carbon black - 9154



Brilliant silver - 9744



Amber red - 3548



Andradite green - 6816



Jasper blue - 5345



Lugano grey - 7735

*“One thing I feel most passionately about:
love of invention will never die”*

Karl Benz