



This brochure has been compiled by Daimler AG of Germany and is distributed internationally. It provides a general indication of the range of models, features, optional extras and/or colours available in various countries. Some of the models, features, optional extras and/or colours shown may not be available in your country or may only be available in a different specification. Additionally some models, features, optional extras and/or colours may only be available in combination with others. For current and more specific information in relation to the range of models, features, optional extras and/or colours available in your country, and their pricing, you should contact your authorised Mercedes-Benz Passenger Car Dealer.

Mercedes-Benz



Mercedes-Benz

The new-generation **SL-Class**

From the Mercedes-Benz dream factory

Contents

The SL	6	My SL	66
Agility	14	Equipment	68
Engines	14	Sports package	68
Transmissions	24	Standard equipment	72
Suspension	26	Light-alloy wheels	74
Direct-steer system	28	Seats	78
AIRSCARF	30	Optional extras	80
Comfort	32	Genuine accessories	82
Vario-roof	32	designo	84
Interior	34	Colours and materials	90
Seating comfort	38	Paintwork	92
SL 600	40	Upholstery and leather	94
COMAND	42	Trim elements, wood and designo	96
Surround sound system	44	Combination options	97
Safety	46	Technical data	98
AMG	52	Service	100
		Test drive	102

About as close to heaven on earth as it gets

How do you continue what is already a staggering success story? Simple. By making things even better. Introducing the new-generation SL. With more powerful, more economical engines. With state-of-the-art Mercedes-Benz technology. With new design elements such as side gills painted in either silver (SL 600) or the body colour (all other models). And with an even sportier front section and rear end. Plus a choice of exclusive paint finishes and, to round it all off, a selection of new, attractive wheels. One thing is apparent right away: the new generation first celebrates and then builds upon the great achievements of the past.

Two letters are enough to write a legend: SL



It takes three days to cover the 1600 kilometres from Brescia in Lombardy to Rome and back, on roads which run through sleepy villages and across impressive piazzas. This is, of course, the route of the world's most famous road race of all. We're taking the SL back to the route on which its distinguished ancestor, another standard-production roadster, made history back in 1955. Raced by the Fitch/Gesell Team, the 300 SL of more than half a century ago left all the favourite Italian models in the GT class above 1.6 litres trailing in

its wake. And now we're revisiting this culturally rich route in a roadster which sets new standards for refined driving and whose engine and chassis provide ample evidence that they are worthy of the legendary SL name. The design, appointments and sound of the roadster are as impressive to outside observers as they are to the driver. Now you can write the next chapter of the 300 SL Gullwing legend yourself. Such rare pieces of Mercedes-Benz history can still be acquired by visiting www.mercedes-benz.de/classic







The SL





A sports car has to get under your skin to find its way to your heart



When you're leading the way, it's nice to know you look good from behind



SL600



D S SL 6001





Adrenalin - the only fuel you take on board whilst on the move



Prepare to power through

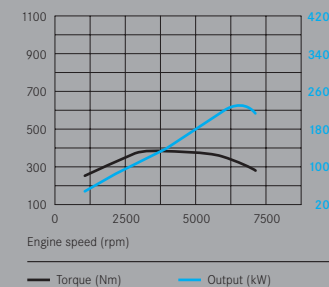
The only thing you may have difficulty doing with your SL 350 is leaving it alone. The mere act of firing the six-cylinder engine developing 232 kW (316 hp) and a peak torque of 360 Nm sets your pulse racing immediately. Acceleration on the road is equally impressive: from 0 to 100 km/h in just 6.2 seconds.

The sports engine draws its enormous power reserves from the depths of its 3498-cc capacity. Thanks to a higher com-

pression ratio and the new cylinder head with an optimised intake duct. Furthermore, enhanced air supply and airflow have a positive effect on combustion as well as being two of the principal reasons behind the SL 350 model's outstanding flexibility, lower fuel consumption and reduced CO₂ emissions. The smooth-running powerplant produces a sonorous noise. Indeed, the SL 350 sounds just like a true V6 sports car should. As highlighted most vividly by the red V on the engine itself.



SL 350



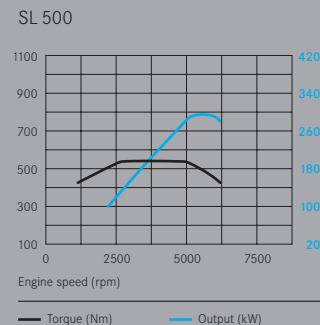




A virtuoso V8 performance

The power announces itself with an unmistakable eight-cylinder baritone. You can feel the sheer potential harnessed by the SL 500 the moment the engine is started. The maximum output of 285 kW (388 hp) is achieved with a level of refinement that is almost without parallel. And with a peak torque of 530 Nm, the car sprints effortlessly from 0 to 100 km/h in 5.4 seconds.

A special cylinder head was designed for the V8 engine to enable it to achieve these impressive figures: two intake valves and two exhaust valves per cylinder are controlled by means of infinitely variable camshaft adjustment. The result is optimal combustion which, as well as reducing fuel consumption and emissions, boosts the sports car's output and enhances your driving enjoyment. And even if you stop short of taking it to the limit, every drive in the SL 500 is a delight for all the senses. Whether it be on long, straight stretches in the country, cobbled city streets or twisting mountain roads.

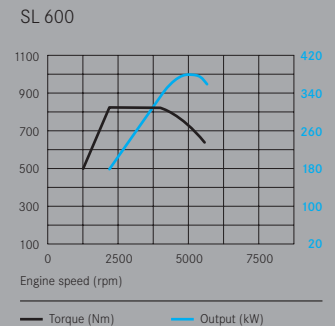




A heart with twelve chambers: perfect for pumping out the power

Twelve cylinders and two letters – the SL 600. An icon of refinement. But to really make a mark, the figures have to stack up: 380 kW (517 hp), a peak torque of 830 Nm and, above all, acceleration from 0 to 100 km/h in a breathtaking 4.5 seconds.

The V12 engine draws its power from a combination of two turbochargers and an intercooler. A consummate blend of sophisticated Mercedes-Benz engine technologies makes for outstanding response, maximum torque at low revs and, in addition, low fuel consumption. So a healthy balance is maintained – with a healthy dose of happiness hormones. Because whoever or whatever falls by the wayside as you power ahead in the SL 600, you can be sure that it will not be your driving enjoyment.

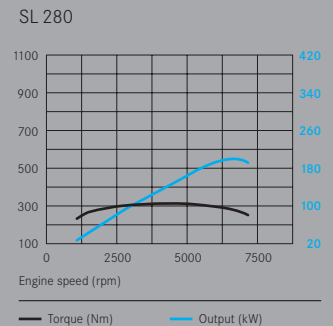




A show of strength at the filling station as well as out on the road

The SL 280 makes no compromises when it comes to driving enjoyment. The six-cylinder unit developing 170 kW (231 hp) boasts a peak torque of 300 Nm. What's more, it is exceptionally torquy between 2500 and 5000 rpm.

As you get in and fire the engine, your heart starts beating faster. And that's the way it stays. Even after the drive. You'll be even happier when you look at the fuel gauge. That's because the SL 280 is extremely economical on fuel - not least thanks to a longer rear-axle ratio of 3.07.







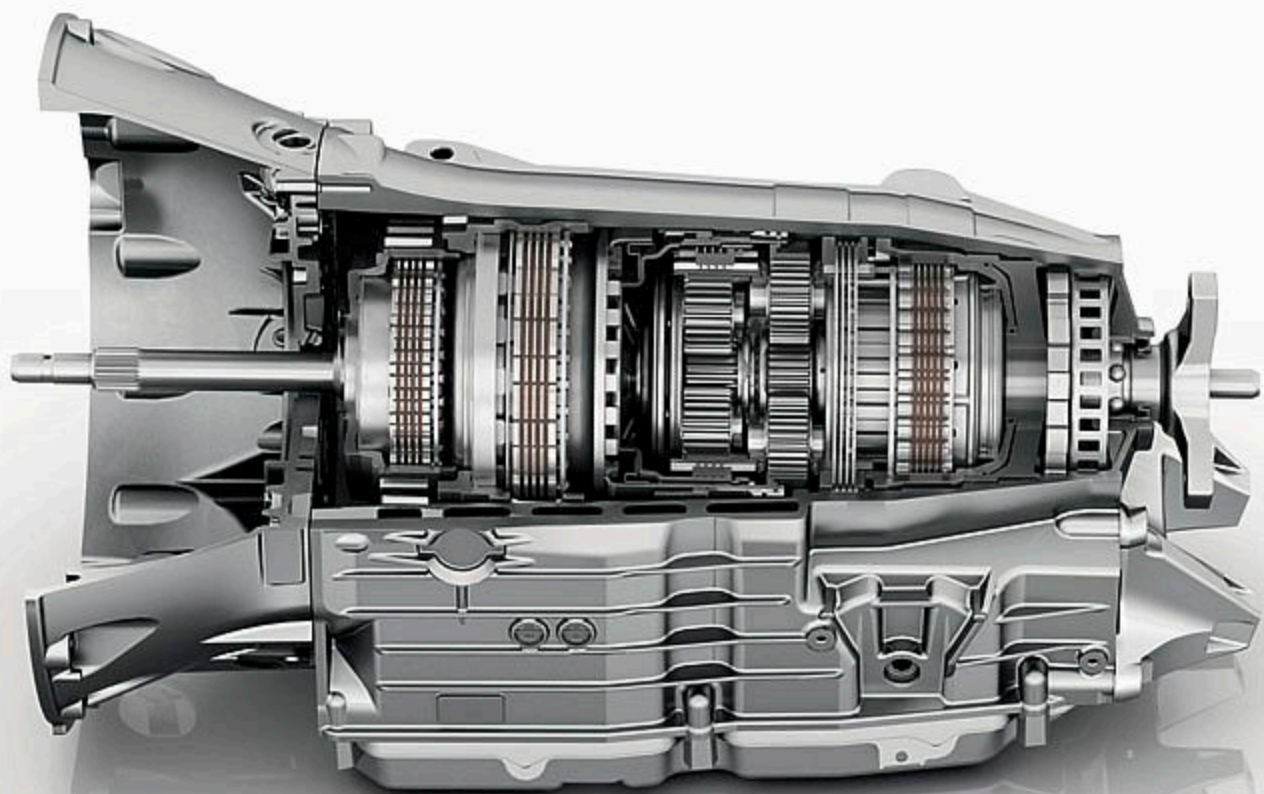
You can't help but
be moved. Even
after you stop

Each gear change merely adds to the driving pleasure

With the very best automatic transmissions, you barely notice the gear changes. So it will come as no surprise that the jumps in engine speed when the 7-speed 7G-TRONIC changes up or down are now smaller than ever before. And when moving down through the gears, the multiple down-shift capability allows several gears to be skipped at once, making for extremely powerful acceleration in any gear.

The 7G-TRONIC is specified as standard for the SL 280, SL 350 and SL 500. These three models also come with the

option of the 7G-TRONIC Sport, which allows manual gear changes as well via steering-wheel gearshift paddles. If you keep the paddle pressed when shifting down, your SL will select the gear offering the best acceleration automatically. The SL 63 AMG is fitted with the new AMG SPEEDSHIFT MCT 7-speed sports transmission, which changes gear in record time without any interruptions in tractive power, thus ensuring the ultimate in driving enjoyment, even when the road speed is fluctuating wildly.



Good contacts are essential if you spend a lot of time on the road

We don't stop developing a sports car the minute we finish the wheels or the exhaust tailpipes. The road is also part of the perfect driving experience. This is why, when developing Active Body Control (ABC), we factored the road into the equation. ABC is specified as standard for the SL 500, SL 600 and AMG models or available as an optional extra for the SL 350.

Ten sensors monitor the driving situation at all times. Hence body movements when setting off and braking are minimised, while lateral movements during cornering are reduced.

In sporty mode, the response is enhanced, the suspension

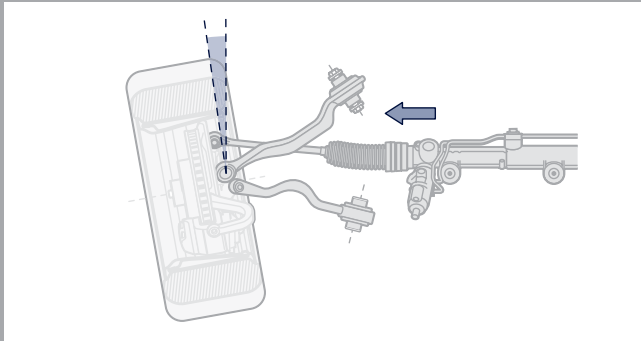
configuration is tauter and the tilting angles are reduced even further. All of which makes for better handling dynamics and improved safety – for example when performing evasive manoeuvres at speed. Safety is also enhanced by the Electronic Stability Program (ESP®), which acts as a type of continuous monitoring system and is included as standard on board all Mercedes models. Sensors record driver and vehicle behaviour and then send the gathered data to a microprocessor which, in turn, intervenes by sending specific braking pulses to the individual wheels in critical driving situations.



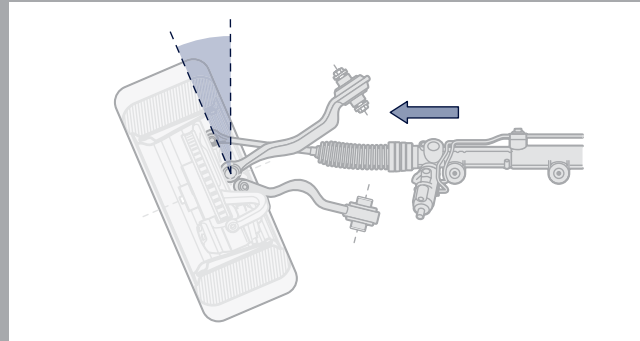
The most direct link between the road and the nerve tract

Innovative technology gives you an instinctive feeling for the road, making piloting the SL a sheer, unadulterated pleasure. The standard-fit speed-sensitive power steering does an excellent job, making the car extremely easy to steer when parking, for example, as well as ensuring outstanding straight-line stability when travelling at speed.

The optionally available direct-steer system has an even more direct ratio when negotiating tight bends and when parking or manoeuvring. It reduces the steering wheel movements required and, therefore, enhances both comfort and safety. Furthermore, there are fewer steering-wheel turns from lock to lock. What makes the direct-steer system so impressive is the fact that you barely notice its presence. Only the ease with which you are able to control your SL gives an inkling that it is there.



Wheel turn without the direct-steer system



Wheel turn with the direct-steer system and the same steering wheel angle



An idea you'll warm to

Travelling in an SL with the top down is an experience that will never leave you cold – especially when your vehicle is equipped with the innovative AIRSCARF system developed by Mercedes-Benz. At the touch of a button, fans at the rear of the head restraints suck in air which is then heated and expelled through an outlet at the front of the seat. Three AIRSCARF settings allow you to adjust the system for opti-

mum comfort in accordance with your personal preferences, your driving style and the weather conditions. At high speeds, or in cold weather, you can just turn up the system to provide more heat. The air then gently wraps itself around the nape and front of your neck and head area like a warm scarf. And that means you can extend the roadster season for quite a while longer.





With the right roof, there's no such thing as the wrong weather



The vario-roof is the crowning glory of the SL's outstanding all-round performance, transforming the car into a roadster within a matter of seconds – just 16 to be precise. Thanks to the space-saving design, there are still up to 235 litres of boot capacity available when the roof is stowed in the

rear. This rises to 339 litres when the roof is up. But this Mercedes invention is not just about providing plenty of space for luggage. When the roof is closed, the quietness makes it feel like you are ensconced within a coupé. The noise, danger, wind and weather simply remain outside.

In fact, the only thing that can top the vario-roof is the panoramic vario-roof. The latter features glass in place of the metal construction, allowing you to enjoy a view that is normally only afforded by a roadster whilst still revelling in the comfort of a enclosed coupé – whatever the weather.





Normally only a joystick assures this degree of control and precision

The refined sportiness of the SL allows you to experience a whole lot more in addition to the sporty drive. With both hands on the new-look 3-spoke sports steering wheel. Not only does it look dynamic, it also lets you change gear extremely quickly courtesy of a paddle on either side. As well as being sporty, the SL interior boasts an exclusive wood, aluminium or carbon-fibre trim and softly grained leather appointments.

Needles that are just itching to move

Exclusive dynamism is also a key theme of the SL interior. In terms of design, the new-look 3-D instrument cluster owes much to the world of motor racing. The needles are initially dormant in the 6 o'clock position. Yet they spring into life the moment you insert the key and switch on the ignition, spinning around their respective dials before returning to the 0 rpm and 0 km/h positions - ready for the off on your command.





Some things that are exciting to watch in action look just as good when they are at rest. The needles are part of the newly designed 3-D-look, chronometer-style instrument cluster. The leather-style trim is embellished with fine topstitching, while the new-look 3-spoke sports steering wheel sits perfectly in the sporty surroundings of the SL cockpit. Shift paddles are included as standard for the SL 600 or an optional extra for all other models.



Two all-weather sports seats

Now a marathon can be pure pleasure. Even on long journeys, your back gets all the support it needs courtesy of the laterally reinforced integral seats in the SL. Whether you are taking tight bends aggressively or cruising serenely along, you are always in the optimal sitting position. Another reason for this is the meticulously crafted seat material available in a choice of leather, nappa leather or Exclusive nappa leather.





The electrically adjustable seats let you alter your position with ease. The memory function (optional for the SL 280) stores your preferred settings, so a flick of the wrist is all it takes to move the seats to your favourite position the next time you slide behind the wheel. Comfort is therefore assured. It's equally good to know that the standard-fit lumbar supports are behind you: these can be inflated or deflated at the push of a button to provide optimal support for the lower spine, giving you an alert, upright posture. When the weather turns colder, you'll also be pleased that the SL 500, SL 600 and AMG models feature heated seats as standard, ensuring that your daily drive is a treat rather than a torture, even when things turn really frosty. Even the most unpleasant weather conditions cannot spoil your driving enjoyment. The SL 600 and SL 65 AMG also have climatized seats fitted as standard, for pleasant cooling on extremely hot days.

All legends share one thing above all: timelessness

The twelve-cylinder power also makes its presence felt in the interior of the SL 600. Features that catch the eye immediately when opening the door include the steering wheel and floor mats with V12 styling and the elegant badges on the leather seats. Then there is the harmonious blend of fine poplar trim elements and Exclusive nappa leather appointments.





Even the heart of the most confirmed of perfectionists is sure to start racing after beholding the wealth of harmonious details on display inside the twelve-cylinder model. Such as the unerringly precise double topstitching and the discreet V12 emblems that hint at the power within, even when the car is stationary. Plus there is also the convenience of the KEYLESS-GO system, which allows you to fire the engine of your SL without having to use a key. Simply hit the start button. Further standard equipment available for the SL 600 includes remote boot lid closing, climatized seats and a convenience telephone system. So there can be no doubt: it's not just the 12 cylinders beneath the bonnet that make the SL 600 unique.



An SL that hangs on your every word

The new, standard-fit COMAND multimedia system on board the SL groups together entertainment and navigation functions in one central unit. Optional navigation functions and films are shown at eye level on the generously sized 6.5-inch colour display. You can even watch television here if the optionally available TV receiver is specified. The 6-disc CD/DVD changer for audio or video is within easy reach, while an optionally available media Interface allows COMAND to connect to any USB data source, an iPod or Aux-in. So you can play music or videos from an external hard drive, for example.

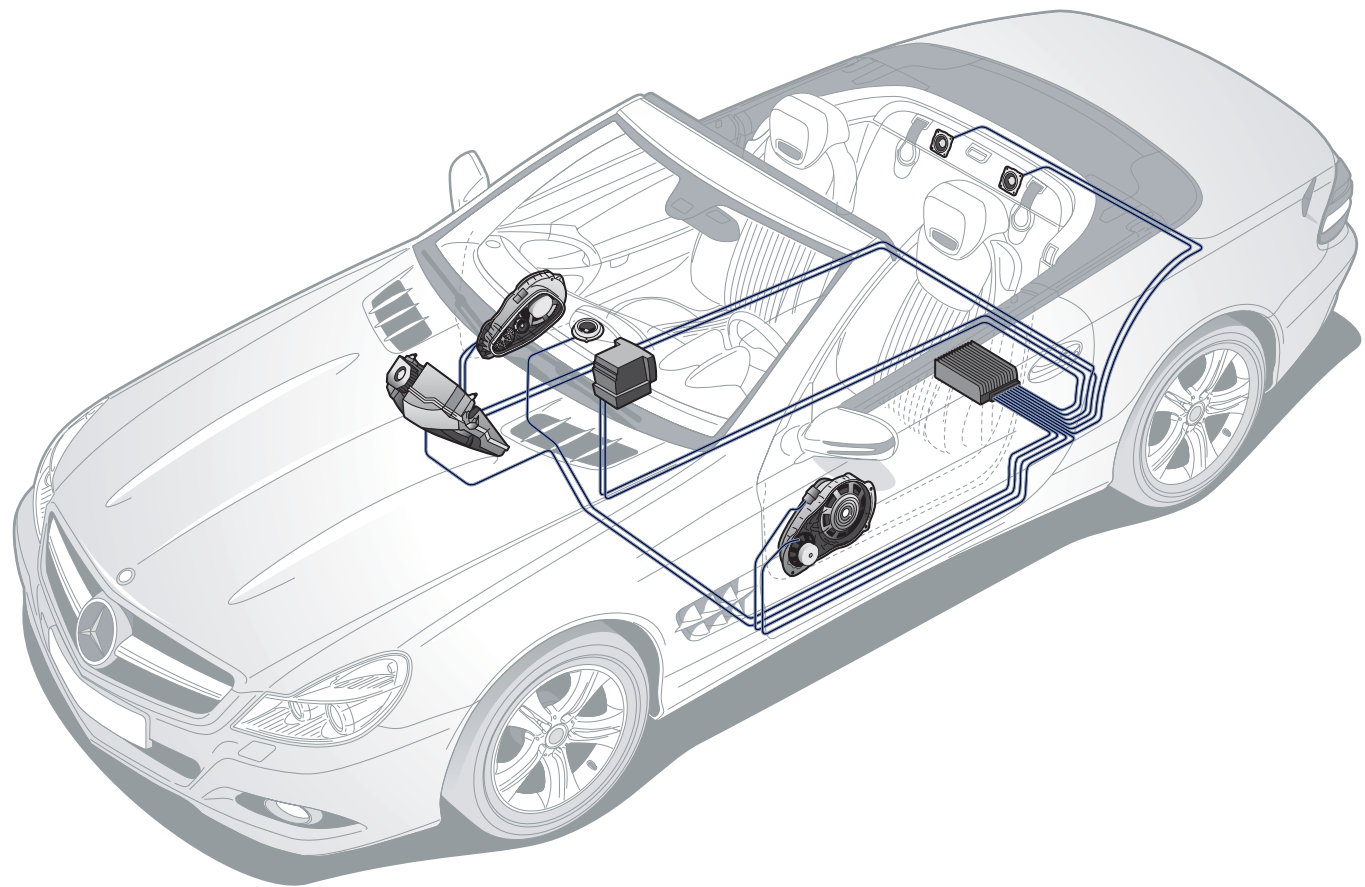




The optionally available COMAND APS system features an integral hard drive containing the navigation software – leaving the CD drive free for alternative uses – and 4 GB of memory for audio files in MP3 or WMA format. If music isn't your thing, your SL lets you do the talking. The LINGUATRONIC voice-operated control system allows you to control COMAND APS functions such as the radio and telephone using voice commands.



The first concert hall able to go on tour





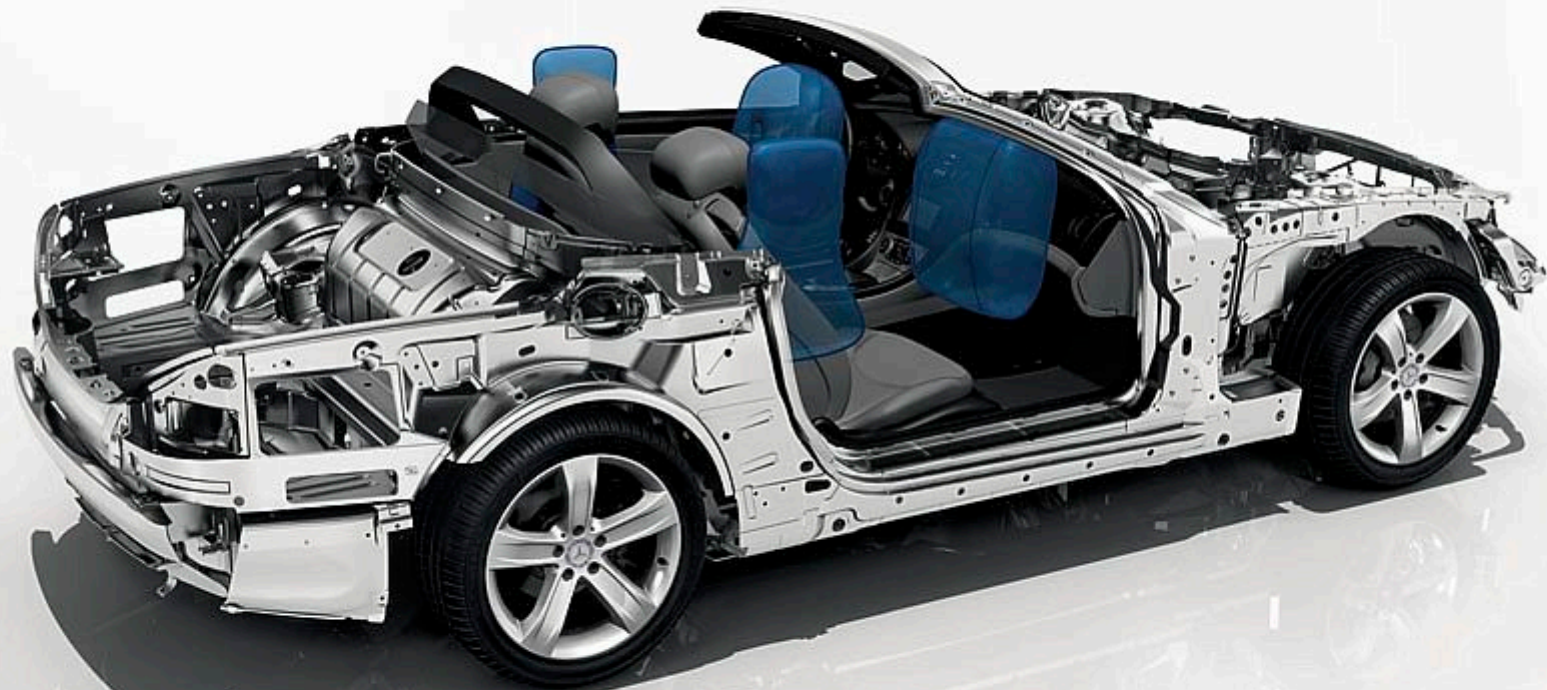
The SL seems almost too small to deliver such a monumental listening experience. The sound waves produced by the optionally available Harman Kardon® Logic 7® surround sound system fan out as in a concert hall thanks to 10 high-performance loudspeakers, including two surround speakers and a subwoofer.

Allow the interior to flood with sound courtesy of Dolby digital technology – just like at the cinema. So should you on occasion wish to change the soundtrack provided by the six-, eight- or twelve-cylinder powerplant, you can always turn to the audio system.

Only one thing is ahead of you in the SL: the safety systems

It all began with an invisible revolution. When Mercedes-Benz unveiled the first car to be designed with passive safety aspects in mind in 1959, the innovations – crumple zones and the safety passenger cell – were invisible to the naked eye. Then airbags and seat belt tensioners – both world firsts – came along. Since then, of course, we have never let up in our quest to always go one step further than required when it comes to safety. Should you have an accident today, sophisticated, efficient occupant protection systems help reduce the risk of injury dramatically. Self-protection is also enhanced by the high-strength safety passenger cell and systems such as adaptive airbags. And if the worst comes to the worst, the roll-over bar pops up automatically within a fraction of a second.

The SL even helps to provide greater safety after an accident, for instance with a fuel tank situated in a protected position ahead of the rear axle, or the automatic engine cut-off function which is triggered after a severe collision. Automatic activation of the hazard warning lamps makes it easier to locate a car which has been involved in an accident. And doors which unlock automatically and are easily opened mean that occupants can be rescued more quickly after an accident. This safety philosophy is rounded off by a multilingual rescue guide which was specially developed for rescue services and which can be accessed on the Internet at www.mercedes-benz.com/rescue-guidelines



ABS ensures that the car remains directionally stable and steerable, even during emergency braking. The driver is able to brake and steer simultaneously – allowing precise evasive manoeuvring – in order to avoid an accident



ESP® enables outstanding directional stability and road adhesion by counteracting any possible tendency to skid at the outset. It intervenes in the engine-management and braking systems as required in order to stabilise the car

Electronic control of the braking system allows a wealth of key assistance functions that help to further enhance active safety and comfort in a whole range of driving situations, thus making life much easier for the driver



During emergency braking, BAS ensures that the maximum brake pressure is applied, even if the brake pedal is not pressed hard enough, thus shortening the stopping distance by a substantial margin

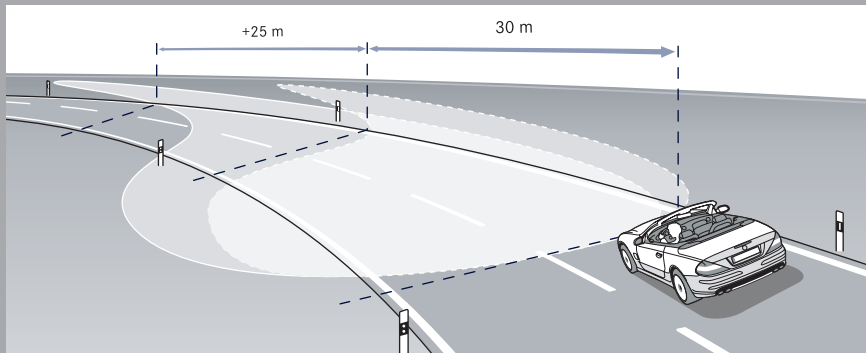
Only two seats. But a wealth of assistance systems

Even the most enjoyable of journeys can come to an abrupt end. Now you can continue on your way, even after an emergency stop, thanks to the hundreds of sensors on board the SL. Such as the electrohydraulic ADAPTIVE BRAKE system which monitors driver and car behaviour on a permanent basis. In critical situations, the pressure in the brake lines is increased and the pads are applied on the brake discs. A dab of the brake pedal is then all that is needed to decelerate the SL with the full braking power. In addition, the ADAPTIVE BRAKE increases safety when braking on bends and detects wet road surfaces. It brakes the brake discs dry when required and also reduces the pitching motion of the brake pedal when the ABS (anti-lock braking system) intervenes to counteract locking-up of the wheels by delivering the brake pressure in short bursts. This means that you remain firmly in control, even in the most precarious of situations. The Electronic Stability Program (ESP®) also applies the brakes at each individual wheel as required to assist with the prevention of tail-skids, oversteer or understeer, while Brake Assist (BAS) helps to shorten the braking distance. BAS detects emergency braking and helps to provide the maximum braking power within a fraction of a second. Meaning that the car comes to a halt – and hopefully continues on its way again afterwards – in as short a time as possible.

Flexible lighting to keep you on the move in the dark

Extremely sporty yet safe driving requires all your senses to be alert. Plus you need reliable sensors that help to detect possible dangers at an early stage. Active components of the safety concept include extremely powerful lights such as the bi-xenon headlamps specified as standard for the new SL. The optional Intelligent Light System also includes an integrated cornering light function.

They illuminate the road far more effectively than conventional halogen lights, allowing you to see much further ahead and giving you a much better perspective. All of which makes for exceptionally safe driving at night. So there's no need to be afraid of the dark.





S SL 6310

Pure power that
makes you go weak
at the knees





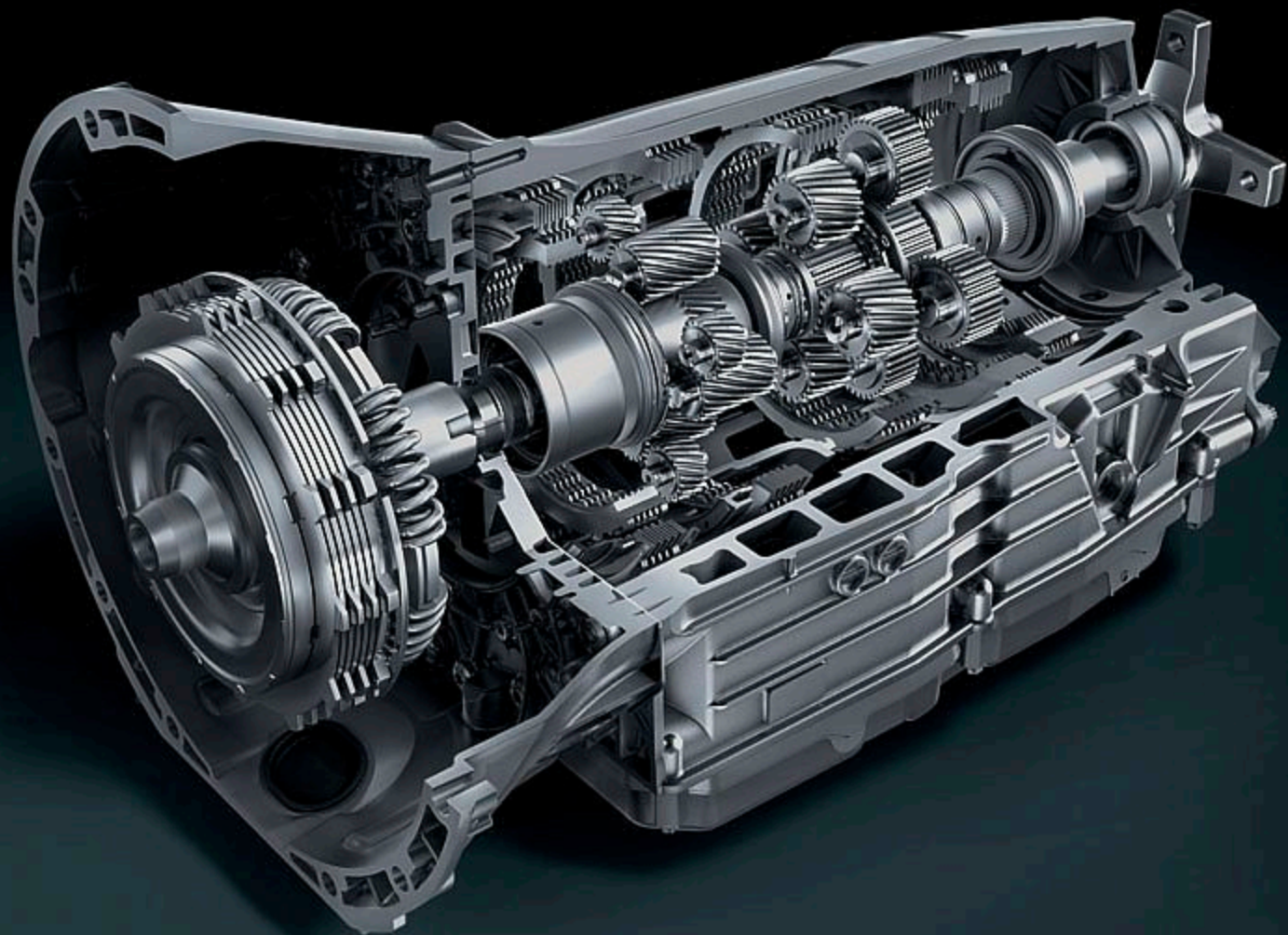


Origin: AMG. Mother tongue: performance

If you've got it, flaunt it: AMG bodystyling accentuates the muscular forms of the SL 63 AMG perfectly.

The exterior of the super sports car is dominated by the impressive AMG bonnet at the front and the dynamic AMG spoiler lip at the rear. The design comes to a rousing conclusion in the shape of an AMG sports exhaust system with two chromed twin tailpipes.

The SL 63 AMG boasts new 19-inch AMG triple-spoke light-alloy wheels. AMG high-performance brakes with composite brake discs and 6-piston brake callipers are visible behind the front wheels. What's more, the brakes back up their powerful looks by delivering maximum performance - all in true AMG style.





Extremely short shift times for prolonged moments of pleasure

The SL 63 AMG takes your breath away and makes you forget any everyday woes. Its large-displacement AMG 6.3-litre V8 engine develops 386 kW (525 hp) and delivers a peak torque of 630 Nm. And the innovative AMG SPEED-SHIFT MCT 7-speed sports transmission in the SL 63 AMG does not disappoint, offering you a choice of four modes, ranging from dynamic manual shifts to comfortable cruising. So you ultimately decide how to unleash the power harnessed by the SL 63 AMG.

These features, like all the other dynamic handling control functions, can be controlled centrally for the first time thanks to the new AMG DRIVE UNIT.

Furthermore, the AMG sports transmission features a Race Start function for optimal acceleration and traction – as seen in Formula 1.





To control power is good. To master it is even better

Powered by an AMG 6.0-litre V12 biturbo engine with an output of 450 kW (612 hp) and a peak torque of 1000 Nm, the SL 65 AMG is one of the world's most powerful production roadsters. Extremely impressive performance is also the name of the game when the AMG high-performance braking system kicks in, with composite brake discs measuring 390 mm in diameter at the front and 360 mm at the rear. The SL 65 AMG is clearly recognisable from afar on account of its new 19-inch AMG twin-spoke forged wheels and the front-apron crossmember painted in matt silver. Then there are the AMG side skirts and an AMG rear apron. Two twin tailpipes featuring AMG V12 styling give the car an effortlessly superior air at the rear. And the performance clearly hinted at on the outside is matched by the level of exclusivity inside: the interior is appointed in fine Exclusive nappa leather featuring an AMG V12 diamond design. Along with the AMG ergonomic sports steering wheel with aluminium shift paddles and the AMG RACETIMER function in the AMG instrument cluster, genuine carbon-fibre trim elements underline the sporting credentials of this unique roadster.







The SL could be the easiest decision you'll ever have to make

The ability to combine sportiness and dynamism at the highest level is one of our strongest disciplines. And nowhere is this executed more perfectly than at the AMG *PERFORMANCE STUDIO* – home to the Affalterbach individualisation experts. The AMG performance package for the SL 63 AMG features components that have been specially configured for maximum performance: performance suspension, larger composite brake discs at the front and a rear-axle differential lock. Not to mention 19-inch AMG twin-spoke forged wheels and the more compact AMG performance steering wheel with its specially flattened bottom section.

The exterior carbon-fibre package is designed primarily to enhance visual expressiveness. It features side air outlets, exterior mirrors, a spoiler lip and a diffuser insert made from carbon fibre as well as optional AMG door sill panels with white illumination.







The only racing attire that also looks good at a business meeting

SL-Class Roadsters have always attracted admiring glances, an effect which can be boosted by adding AMG bodystyling. It consists of a powerful front apron with larger cooling-air intakes and integrated fog lamps, side skirts and a rear apron with a black insert. The dynamic look is completed by 19-inch AMG 5-spoke light-alloy wheels.



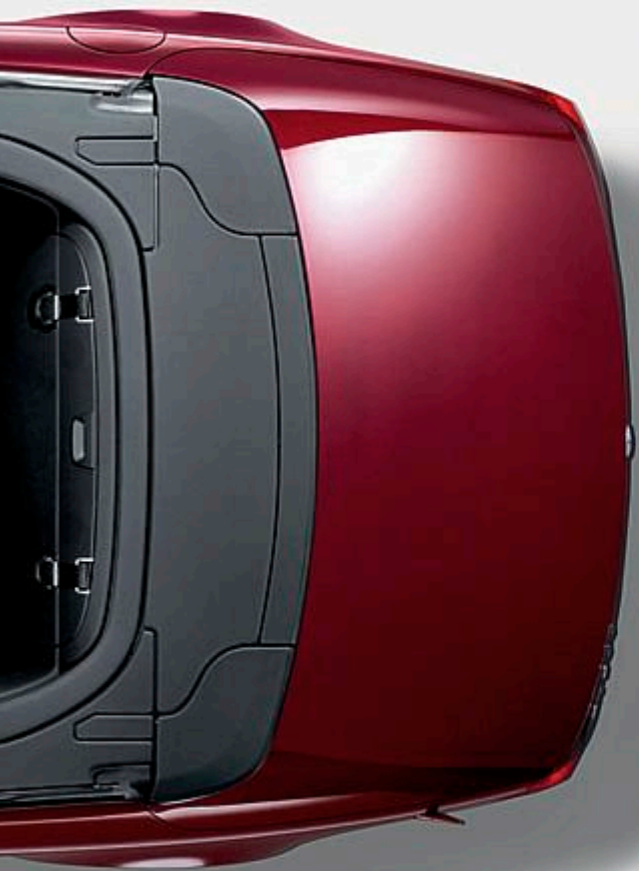




Officially a member of the elite

The racing season: as good a time as any to experience the breathtaking SL. As a driver on the road. Or as a spectator at the racetrack, where the SL 63 AMG will be on duty throughout the 2008 season in its capacity as the official Formula 1 Safety Car. Bernd Mayländer will be at the wheel of one of racing's most important vehicles on some of the world's most demanding racing circuits. Followed by the world's fastest sports cars. The SL 63 AMG fits the bill here perfectly combining a powerful AMG V8 engine with a new innovative AMG sports transmission. The result is an especially intensive driving experience which you can share with Bernd Mayländer. What you can't have though is the signalling system and official FIA F1™ lettering.





My SL



The sports package



Some athletes are just happy to take part. Others are there to win. The SL with sports package falls into the latter category. The package is available for the SL 280, SL 350 and SL 500 models. Visual enhancements include 19-inch 5-twin-spoke light-alloy wheels as well as darkened front headlamps and tail lights, while the braking system features perforated front and rear discs along with painted brake

callipers – ready to provide maximum deceleration. The 7G-TRONIC Sport automatic transmission and steering-wheel shift paddles allow extremely fast gear changes, with the ratio offering the best acceleration being selected straight away every time. It feels good. And it sounds good too – thanks to the sports air cleaner developed specifically for the SL 280 and SL 350.



Enough sport for an entire team



What the SL with sports package promises on the outside is delivered on the inside: exclusivity and sportiness at the highest level. Starting with the black leather appointments featuring silver contrasting stitching. This design element ensures clear accentuation and is also reflected in other elements of the interior – for example the centre console, the dashboard, the armrest and the velour floor mats. The



steering wheel and selector lever are trimmed in perforated leather, their easy-grip design mirroring the high quality of all the appointments. Their unique look is enhanced by prism-pattern aluminium trim elements that create an effective contrast in the interior, further accentuated by the black roof lining.



Exterior mirrors



Draught-stop



The new-look 3-spoke sports steering wheel



COMAND display in the centre console

Standard equipment (selection)

Active Body Control (ABC) (optional for SL 350, not available for SL 280)
Adaptive brake lights
Airbags for driver and passenger plus head/thorax sidebags
Anti-theft alarm system with tow-away protection
Armrest/centre console with stowage compartment
ASSYST service interval indicator
Automatic climate control with combination filter and residual heat utilisation
Automatic transmission
Bi-xenon headlamps with headlamp cleaning system and dynamic range control
Brake Assist (BAS)
COMAND with integral radio, 6.5-inch colour display with DVD changer, MP3-compatible, Bluetooth interface, Aux-in socket, 8 loudspeakers
Cruise control with SPEEDTRONIC variable speed limiter
Draught-stop (optional for SL 280)
Electrically adjustable seats, with lumbar support and memory function (optional extra for SL 280)
Electrically adjustable steering column, with memory function (optional extra for SL 280)
Electrohydraulic braking system with start-off assist
Electronic Stability Program ESP®
Exit lights in the doors
Headlamp Assist
Heated exterior mirrors, electrically adjustable, with aspherically curved mirror glass

Indicator repeaters in the exterior mirrors
Infrared remote control for roof
LED brake lights
Light-alloy wheels
Loading aid for the boot (EASY-PACK system)
Metal door-sill panels
Multifunction steering wheel
Outside temperature display
Parcel net in passenger footwell
Power socket (12 V) in boot
Rain sensor
Remote boot-lid release
Roll-over bar with crash sensor, automatically raised
Seat belt tensioner and belt force limiter for driver and passenger
Speed-sensitive power steering with safety steering column
Steering wheel and selector lever in leather (wood/leather in SL 600)
Tinted windows all round
Tyre pressure loss warning system
Ventilated glove compartment

SL light-alloy wheels

A wide range of wheels is available for the different engine versions of the SL. New 18-inch 5-spoke light-alloy wheels are standard on the SL 500, while the SL 600 is delivered with ex-factory 18-inch V12-design light-alloy wheels. New 18-inch 5-twin-spoke light-alloy wheels are available as optional extras for the SL 350, the SL 500 and the SL 600. Plus distinctive 19-inch five-twin-spoke light-alloy wheels are fitted as standard in conjunction with the sports package or as an optional extra for the SL 600.



17-inch 5-spoke light-alloy wheels (standard on SL 280)



17-inch 5-twin-spoke light-alloy wheels (standard on SL 350)



18-inch 5-spoke light-alloy wheels (standard on SL 500)



18-inch 5-twin-spoke light-alloy wheels (optional extra)



18-inch light-alloy wheels with V12 styling (standard on SL 600)



19-inch 5-twin-spoke light-alloy wheels (standard with sports package, optional extra on SL 600)

AMG light-alloy wheels for your SL



19-inch AMG 5-spoke light-alloy wheels



19-inch AMG triple-spoke light-alloy wheels



19-inch AMG twin-spoke forged wheels



incenio "Gorgona" 17-inch 5-spoke designer wheel



incenio "Veseli" 18-inch 5-twin-spoke designer wheel



incenio "Nash" 18-inch 9-spoke designer wheel



incenio "Tarka" 19-inch 5-spoke designer wheel



We only ever adapt the SL to meet your needs



The SL-Class features extremely comfortable, laterally reinforced integral sets that adjust electrically with ease and remember your favourite sitting position thanks to the memory function (standard in all models except the SL 280). An even more relaxing driving experience is available with the climatized seats, which are fitted as standard in the SL 600 and SL 65 AMG, and are optional

for all other models. These perforated seats are equipped with an active ventilation system for fast cooling on hot days. Optional multicontour seats (standard in the SL 63 AMG and SL 65 AMG) have integral air cushions that adjust to your body and also offer a massage function: air chambers pulsate gently at the touch of a button to ease tense back muscles.



AMG bodystyling: front apron



Head restraint with AIRSCARF



AMG bodystyling: rear apron



Intelligent Light System: headlamp

Optional extras (selection)	SL 280	SL 350	SL 500	SL 600	SL 63 AMG	SL 65 AMG
7G-TRONIC Sport 7-speed automatic transmission including steering-wheel gearshift paddles	●	●	●	–	–	–
Active Body Control (ABC)	–	●	○	○	○	○
AIRSCARF	●	●	●	●	●	●
AMG bodystyling	●	●	●	●	○	○
COMAND APS, including hard-disc navigation for digitalised regions of Europe, MUSIC REGISTER and LINGUATRONIC voice-operated control system	●	●	●	○	●	○
Direct-steer system with variable servo assistance ¹	●	●	●	●	–	–
DISTRONIC	●	●	●	●	●	●
Harman Kardon® Logic 7® surround sound system with an output of 510 watts, 10 loudspeakers and Dolby 5.1/DTS	●	●	●	○	●	○
Heated windscreen washer system	●	●	●	●	○	○
Intelligent Light System (ILS) including cornering light function	●	●	●	●	●	●
KEYLESS-GO	●	●	●	○	●	○
Media interface: universal interface for various audio devices (e.g. iPod, USB memory device, etc.) ²	●	●	●	●	●	●
Memory package for front seats, steering column and exterior mirrors	●	○	○	○	○	○
Metallic paintwork	●	●	●	●	○	○
Panoramic vario-roof	●	●	●	●	●	●
PARKTRONIC	●	●	●	○	●	○
Sports package	●	●	●	–	–	–
Tyre pressure monitoring system	●	●	●	●	●	○

● Optional extra

○ Standard equipment

– Not available

¹ Expected to be available from 3rd quarter of 2008² Adapter lead available from accessories range



Practical accessories



From practical roof-rack systems to snow chains, the range of genuine Mercedes-Benz accessories includes a whole host of attractive, high-quality and useful items for your SL. A prime example is the rear shelf bag developed and designed specifically for the SL-Class. It is a perfect fit for the rear bench seat dimensions and is made from fine

materials such as smooth cowhide nappa leather. You can even order the bag in one of three original seat colours. Its intelligent division of the interior space makes it extremely versatile. Please consult our accessories catalogue or contact your Mercedes-Benz dealer for further details.

A close-up photograph of a silver, oval-shaped button with the word "designo" embossed on it. The button is set against a light-colored metal surface with a regular grid of small circular perforations. The lighting creates a soft shadow to the right of the button, highlighting its three-dimensional form.

designo



Inside, too, your wish is our command: eleven single-tone and two-tone designo leather upholstery finishes are available for the SL. But the choice of upholstery colour is only the first of many decisions. Would you prefer classic designo leather or the even finer designo EXCLUSIVE leather? We vary the Exclusive nappa leather appointments that form the basis for the designo upholstery effectively by adding touches in the selected designo colour, from the dashboard to the parcel shelf. A designo Alcantara trim in a choice of three colours is available as an optional extra for the roof lining, A-pillars and C-pillars.

The range of designo trim elements comprises a selection of woods as well as fine natural stone. Maple grain with a designo natural finish, designo black piano lacquer or oak grain with a designo matt natural finish lend the interior a warm atmosphere. By contrast, the Labrador blue pearl and black Star Galaxy stone trims make an elegantly sporty statement. In addition, there are nine exclusive designo metallic paints available.









Centre console in designo black piano lacquer (W69) with selector lever in designo black leather



Trim in designo black piano lacquer (W69) and door centre panel with characteristic piping look in designo pastel grey leather (X 12)



Colours and materials at a glance

Beauty is an integral part of our cars. Thanks largely to a specially developed clear coat – one of the best on the automotive market – boasting an extremely dense molecular structure. This makes it more resistant and produces a more intense, extremely long-lasting shine. Whether in a non-metallic or metallic finish, the more scratch-resistant clear coat is less susceptible to wear caused by the weather and environmental conditions such as rainfall, sunlight and temperature fluctuations.

The SL paintwork puts the finishing touch to the carefully crafted Mercedes-Benz corrosion protection system, which includes a coating of zinc phosphate for long-lasting body protection. Also, Mercedes-Benz uses only eco-friendly water-based paints, whose solvent content is up to 80 per cent lower than that of conventional paints

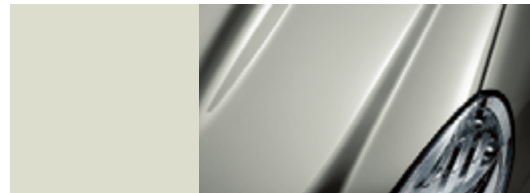
NON-METALLIC PAINTS



040 black



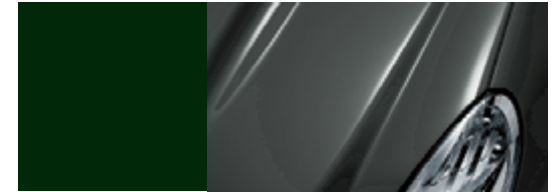
590 fire opal

960 alabaster white¹

METALLIC PAINTS



112 chromite black



197 obsidian black



359 tanzanite blue

¹ Alabaster white available until approx. 06/2008. Diamond white available from approx. 06/2008

² Available from 3rd quarter of 2008

SPECIAL PAINT



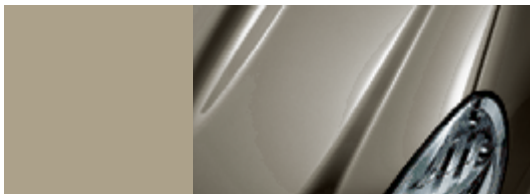
541 thulite red



775 iridium silver



779 alabandite grey²



723 cubanite silver



792 palladium silver

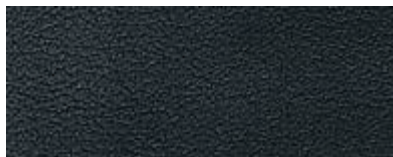
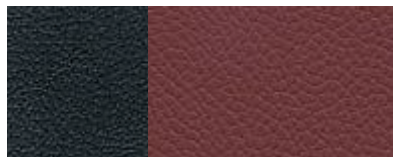
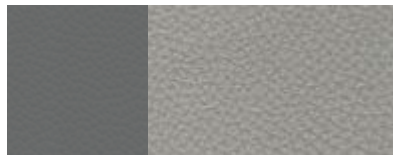
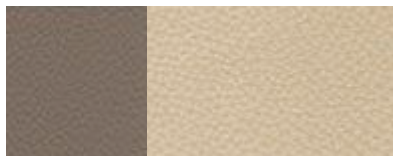


755 tenorite grey

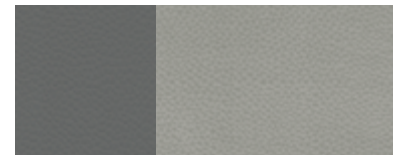


799 diamond white¹

LEATHER

211 black¹217 flamenco red¹214 natural beige^{1,2}218 alpaca grey¹215 pebble beige¹

NAPPA LEATHER

801 black³807 flamenco red³804 natural beige^{2,3}808 alpaca grey³805 pebble beige³

¹ Optional extra for SL 280 and SL 350, standard for all other models

² Not available for SL 63 AMG and SL 65 AMG

³ Optional extra

⁴ Optional extra, standard for the SL 600 and SL 65 AMG

⁵ Standard equipment for the SL 280 and SL 350, not available for all other models

⁶ Leather with silver stitching

EXCLUSIVE NAPPA LEATHER



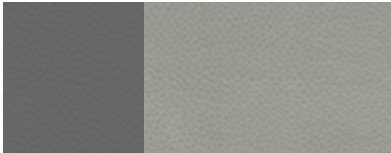
511 black⁴



517 flamenco red⁴



514 natural beige^{2,4}



518 alpaca grey⁴



515 pebble beige⁴

LEATHER/SIENA FABRIC⁴



black⁵

SPORTS PACKAGE



221 black leather⁶

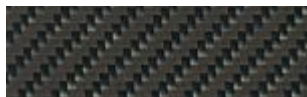


811 black nappa leather⁶



521 black Exclusive nappa leather⁶

TRIM ELEMENTS

739 aluminium¹H73 carbon fibre²H75 prism-pattern aluminium³

WOOD

729 pale poplar⁴731 burr walnut⁵736 black ash⁶

H12 pale burr walnut

designo ALCANTARA ROOF LINING



Y83 anthracite



Y84 pebble beige



Y85 alpaca grey

designo TRIM ELEMENTS



W21 designo matt natural oak grain



W64 designo natural maple grain



W69 designo black piano lacquer

W72 designo stone - Labrador
blue pearl

W73 designo stone - Star Galaxy

¹ Standard for SL 280 and SL 350, no-cost option for SL 500, not available for SL 600, SL 63 AMG, SL 65 AMG

² Standard for SL 63 AMG and SL 65 AMG, not available for any other models

³ Prism-pattern aluminium is part of the sports package and not available separately

⁴ Standard for SL 600, not available for any other models

⁵ Standard for SL 500 and SL 600, optional extra for SL 280 and SL 350, no-cost option for the AMG models

⁶ Optional extra for SL 280 and SL 350, no-cost option for all other models

	Leather/ Sienna fabric ¹	black	Leather ² / Nappa leather ³ / Exclusive nappa leather ⁴	black	natural beige	flamenco red	pebble beige	alpaca grey
NON-METALLIC PAINTS								
black		●		●	●	●	●	●
fire opal		●		●	○	△	○	○
alabaster white ⁵		●		●	●	●	○	●
METALLIC PAINTS								
chromite black		●		●	●	●	●	●
obsidian black		●		●	●	●	●	●
tanzanite blue		●		●	●	△	●	●
thulite red		●		●	○	●	●	○
cubanite silver		●		●	○	○	●	△
tenorite grey		●		●	●	●	○	●
palladium silver		●		●	△	●	●	●
iridium silver		●		●	●	●	△	●
diamond white ⁵		●		●	●	●	○	●
SPECIAL PAINT								
alabandite grey ⁶		●		●	○	△	○	●

● Recommended ○ Possible △ Not recommended

¹ Standard for SL 280 and SL 350, not available for any other models ² Optional extra for SL 280 and SL 350. Standard for all other models

³ Optional extra ⁴ Optional extra, standard for SL 600 and SL 65 AMG

⁵ Alabaster white available till around 06/2008. Diamond white available from around 06/2008 ⁶ Available from 3rd quarter of 2008

A Mercedes embodies a real sense of freedom – something you'll begin to experience when you specify your future car by choosing your ideal configuration from the wide range of possible combinations. If this seems a little daunting, we can help you – with our vehicle configuration tool at www.mercedes-benz.de, for example. This allows you to take your time putting your Mercedes together in the form of a virtual model before ordering the real thing from us. Or, you can opt for the almost unlimited freedom presented by the designo range and create an SL which reflects your tastes in every respect. Freedom is there to be embraced, after all.

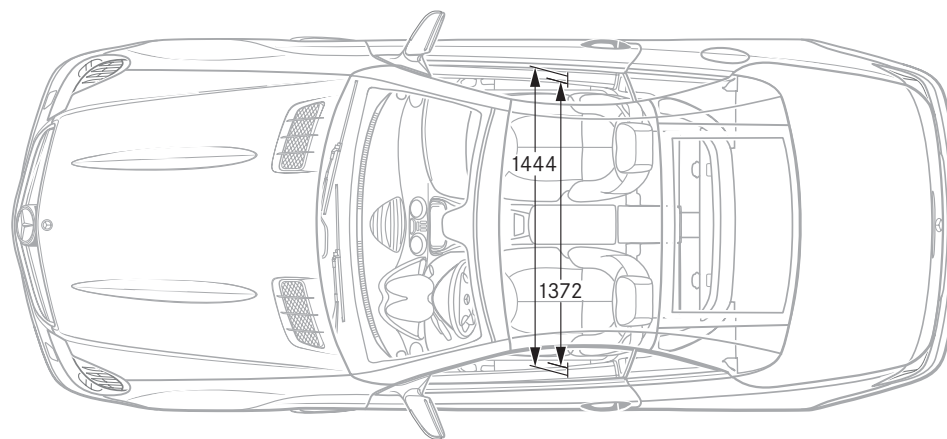
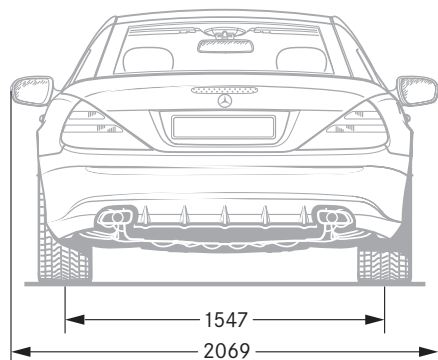
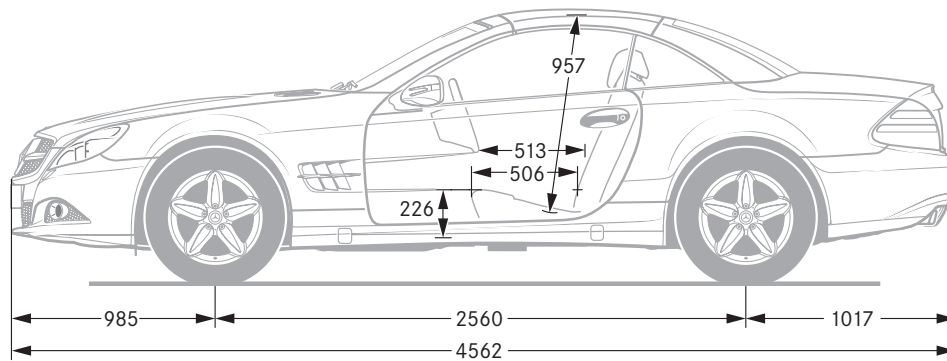
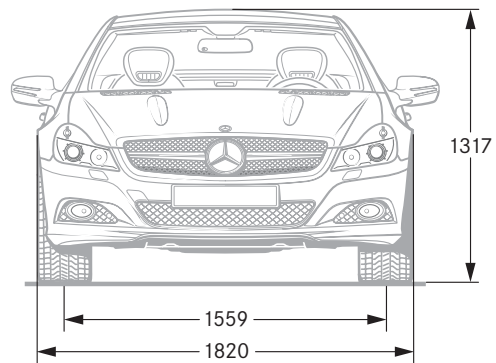
		SL 280	SL 350	SL 500	SL 600	SL 63 AMG	SL 65 AMG
No. of cylinders/arrangement		6/V	6/V	8/V	12/V	8/V	12/V
Total displacement (cc)		2996	3498	5461	5513	6208	5980
Rated output ¹ (kW at rpm)		170/6000	232/6500	285/6000	380/5000	386/6800	450/4800
Rated torque ¹ (Nm at rpm)		300/2500-5000	360/4900	530/2800-4800	830/1900-3500	630/5200	1000/2000-4000
Acceleration from 0 to 100 km/h (s)		7.8	6.2	5.4	4.5	4.7	4.2
Top speed ² , approx. (km/h)		250	250	250	250	250	250
Tank capacity (l)/fuel		80/Premium unleaded	80/Premium unleaded	80/Premium unleaded	80/Super Plus	80/Super Plus	80/Super Plus
Fuel consumption ³ (l/100 km) urban/extra-urban/combined		13.5/7.0/9.4	14.3/7.4/9.9	18.1/8.3/11.9	21.3/9.5/13.9	21.4/9.5/13.9	23.4/10.4/15.1
CO ₂ emissions ³ (g/km), combined		224	236	284	330	330	362
Kerb weight ⁴ (kg)/perm. gross vehicle weight (kg)		1825/2120	1825/2120	1910/2205	2045/2320	1970/2225	2120/2385
Tyre size	front	255/45 R 17	255/45 R 17	255/40 R 18	255/40 R 18	255/35 R 19	255/35 R 19
	rear	255/45 R 17	255/45 R 17	255/40 R 18	285/35 R 18	285/30 R 19	285/30 R 19
Boot capacity, incl. luggage recess (l)	Roof up	339	339	339	339	339	339
	Roof down	235	235	235	235	235	235

¹ Figures according to Directive 80/1269/EEC in the currently applicable version

² Electronically limited

³ The figures shown were obtained in accordance with the prescribed measuring process (Directive 80/1268/EEC in the currently applicable version). The figures are not based on an individual model and do not constitute part of the product offer; they are provided solely for purposes of comparison between different vehicle models. The figures shown are provisional

⁴ Figures according to Directive 92/21/EC, version 95/48/EC (kerb weight with fuel tank 90% full, driver, 68 kg, and luggage, 7 kg) for standard-specification vehicles. Optional extras and accessories will generally increase this figure and reduce the payload capacity accordingly



Anyone opting for a Mercedes buys far more than just a car

Comprehensive service from Mercedes-Benz

Service24h. One thing that will always accompany you in your new Mercedes is a feeling of reassurance. Because Mercedes-Benz Service24h is there for you at any time, on 365 days of the year. In the very unlikely event of a technical problem or breakdown anywhere in Europe, you can rely on round-the-clock assistance from Mercedes-Benz Service24h. Simply phone our Service hotline on 00800 1 777 7777, where our specialists are available at all times of the day and night to take your call and immediately organise professional assistance. As soon as your call is received, a member of our Service24h team will be dispatched to your location. Often the problem can be rectified on the spot, but if this is not possible, we will naturally ensure that your vehicle is taken to the nearest Mercedes-Benz workshop.

MercedesCard. It acts as your ticket to the world of Mercedes-Benz and doubles as a handy credit card – the fee is even waived in return for answering the annual questionnaire. In the regular MercedesCard Journal, you'll find details of attractive products as well as of exclusive sporting, cultural and travel packages. In the Mercedes Magazine, you can read fascinating articles about all aspects of the Mercedes-Benz brand. What's more, your MercedesCard VISA grants you free entry to the Mercedes-Benz Museum. Further information can be found at www.mercedes-benz.de/mercedescard

Information about the MercedesCard in Austria and Switzerland can be found on the Mercedes-Benz websites for these countries.

Mercedes-Benz Bank. If you have already set your heart on your dream Mercedes and want to remain flexible in financial terms, you may be interested in our range of financial services. Our single-source leasing, financing, insurance and service packages could be exactly what you're looking for. The on-line calculator allows you to work out your monthly payments for yourself. In addition to individually geared financial services for your vehicle, we can also offer you tailor-made investment products, including an instant-access savings account, fixed-interest investments and portfolio funds. For further information, call us on 01803/32 22 65 (9 ct/min Deutsche-Telekom rate, mobile-phone rates may vary) or visit www.mercedes-benz-bank.de



Time to gain another enriching experience

Take your dream car for a test drive

Nowhere is a Mercedes-Benz so convincing as on the road. For it is only there that you can fully experience the effortlessly superior handling which makes this car so special. You can feel how the powerful engine drives the vehicle onwards and how the precise steering movements have a direct effect on your own mood. The special atmosphere which arises during a drive in a Mercedes-Benz cannot be put down on paper. That's why we would like to invite you to take a test drive. Your Mercedes-Benz dealer will be happy to arrange everything for you. With the "Find a Retailer" function at www.mercedes-benz.com you can find your nearest retailer quite easily. We look forward to seeing you.

You can also find the interactive Owner's Manual on the internet. Here, a series of information clips and simulations allow you to already start familiarising yourself with the functions of your car of choice. Further details can be found at: www.mercedes-benz.de/betriebsanleitung



Take-back of end-of-life vehicles. Coming full circle. At the end of its long life, you can return your SL-Class to us for environment-friendly disposal in accordance with the EC End-Of-Life Vehicle Directive¹. But that day lies a long way off.

¹ Applies in accordance with national regulations to vehicles up to 3.5 t permissible gross weight. Mercedes-Benz passenger cars have met the statutory regulations governing the suitability of the vehicle's design for reuse and recycling for a number of years now. A network of vehicle take-back depots and dismantlers has been established which will process your vehicle in an environment-friendly manner. The ways in which both vehicles and parts can be recovered are subject to ongoing development and improvement. Consequently, the SL-Class will be able to comply with any future increases in the recycling quota within the stipulated time limits. Further information is available at www.mercedes-benz.de or by calling 00800 1 777 7777.

Please note: changes may have been made to the product since this brochure went to press (30.11.2007). The manufacturer reserves the right to make changes to the design, form, colour and specification during the delivery period, provided these changes, while taking into account the interests of the vendor, can be deemed reasonable with respect to the purchaser. Where the vendor or the manufacturer uses symbols or numbers to describe an order or the subject of an order, no rights may be derived solely from these. The illustrations may show accessories and items of optional equipment which are not part of standard specification. Colours may differ slightly from those shown in the brochure, owing to the limitations of the printing process. This brochure has been compiled by Daimler AG of Germany and is distributed internationally. It provides a general indication of the range of models, features, optional extras and/or colours available in various countries. Some of the models, features, optional extras and/or colours shown may not be available in your country or may only be available in a different specification. Additionally some models, features, optional extras and/or colours may only be available in combination with others. For current and more specific information in relation to the range of models, features, optional extras and/or colours available in your country, and their pricing, you should contact your nearest authorised Mercedes-Benz Passenger Car Dealer. www.mercedes-benz.com