

IMPORTANT! This brochure provides a general indication of the range of models, optional extras and/or colours available. For current information on the availability, design features and prices of all models, optional extras and/or colours available, you should contact your authorised Mercedes-Benz Passenger Car Dealer. All information contained in this brochure was correct at the time of printing, June 2005. However, the manufacturer reserves the right to make changes to design and specification without notice.

Please consult your Mercedes-Benz dealer for final details and for information about the standard equipment and optional extras, statutory regulations and legal requirements.

Q LIT 1068 527 05

DaimlerChrysler Australia/Pacific Pty. Ltd ABN 23 004 411 410. Lexia Place, Mulgrave, Vic 3170. Ph: (03) 9566 926.



and Mercedes-Benz are registered trademarks of DaimlerChrysler AG.

[www.mercedes-benz.com.au](http://www.mercedes-benz.com.au)



THE VIANO



Mercedes-Benz

	<b>The Viano</b>
04	Introduction
06	Viano Trend
10	Viano Ambiente
14	Flexibility
18	Handling
20	Safety
22	Dimensions
23	Technical data
24	Optional extras
26	Accessories
28	Paintwork and upholstery

Liberty consists in doing what one desires



## Whatever life has in store: you'll be ready with the Viano

**Real freedom is the freedom to make up your own mind**  
Paraglider or surfboard? Alone or with the whole family? Day trip or voyage of discovery? Just three of the many questions to which you will be able to reply with an emphatic "we'll see" in future. Because the Viano is a vehicle designed to offer you a whole world of possibilities. The option of a petrol or diesel engine, flexible design and superb selection of equipment mean that there's plenty of scope for creating the vehicle you want. The Viano comes complete with an active and passive safety package, a superb standard of comfort and a practical, user-friendly design. With plenty of space for up to 8 people (at extra cost, 7 is standard), the Viano positively encourages you to head for the hills (or anywhere else for that matter) and leave the daily routine behind.

**We've taken the concept of comfort to new lengths**  
Everybody has their own ideas about what they want in a vehicle which is why there are two different model lines of the Viano: the Trend and the Ambiente. Common to both model lines are the characteristics – styling, interior design, choice of engines, handling and manoeuvrability – which make the Viano an enticing choice.





## The Viano Trend: the answer to questions you haven't even thought of yet

### Space, comfort and versatility

There are situations in life which call for an unconventional approach. It may be because the established solutions are no longer sufficiently flexible or up-to-date, or because they lack the necessary capacity. That's why we have developed the Viano Trend. Seven people (or, optionally, six or eight) can relax in its comfortable, velour-upholstered seats and enjoy a degree of spaciousness for which "generous" is a wholly inadequate description. The five rear seats can be adjusted in 25 mm increments thanks to the practical floor rails and can also be completely removed – simply and easily. Already extremely comfortable in its standard form, the interior can be individualised with optional extras (at extra cost) such as a front sliding glass sunroof and a panoramic glass roof for

the rear passengers. And because people who like to make the most of their leisure time tend to have a lot of baggage, we've given the Viano plenty of luggage space as well as lots of handy storage facilities. Incidentally, you don't have to be a large family to make full use of the Viano Trend. You'll find that two people can get just as much fun out of it.





## Comfort comes as standard: the Viano Trend

### *Trend Standard equipment*

Rear seating configuration: 1st row - 2 individual rear seats with armrests

2nd row - 3-seater bench seat

3-point seat belts for all seats, with belt tensioners and belt force limiters for driver and front passenger

5-speed automatic transmission with touchshift

12V plug in the passenger compartment

16" light alloy wheels, 7 twin-spoke (3.5 Trend with 17" light alloy wheels, 6-spoke)

Ashtray and drink holders in rear passenger compartment, left and right

'Casca' velour upholstery

Central locking with radio remote control

Centre console with large storage compartment

Colour coded bumpers

Cupholder, in front

Disc brakes all round

Driver and front passenger sun visors with illuminated mirrors

Electronic Stability Programme (ESP®) including Anti-lock Braking System (ABS), Acceleration Skid Control (ASR) and Brake Assist (BAS)

Electronic brake force distribution

Engine immobiliser

Exterior mirrors electrically adjustable, heated

First aid kit

Front airbags for driver and front passenger

Full size spare wheel

Heat absorbing glass

Interior light control panel in the front with individual reading lights

Interior lights in the grab handles in the rear

Interior trim in matt chrome 'Silverstone'

Lockable glovebox

Luxury cockpit with superior finish

Luxury driver and front passenger seats, manually adjustable

Multi-function steering wheel

Outside temperature display

Power vent windows at 2nd rear seat row, left and right

Power windows for driver and front passenger, with convenience feature and obstruction sensor

Radiator grille with chrome highlights

Roof rails

Safety steering column

Seat rail system

Service interval indicator "ASSYST"

Single CD player, in dash

SPEEDTRONIC cruise control system

Steering column adjustable for height and reach

Storage compartment with hinged lid on upper console

THERMOTRONIC automatic air-conditioning with front and rear ventilation

Warning triangle

Window in tailgate with wash/wipe system

Vehicle-coloured bumpers, rub strips and door handles



- The Viano Trend standard features:*
1. Interior trim in matt chrome 'Silverstone'
  2. 'Casca' velour upholstery
  3. 16" light alloy wheels, 7 twin-spoke
  4. Front power windows.
  5. Central locking with radio remote control
  6. THERMOTRONIC automatic air-conditioning with front and rear ventilation
  7. Green tinted heat absorbing glass
  8. SPEEDTRONIC cruise control system
  9. Exterior mirrors electrically adjustable and heated
  10. Centre lighting console with individual reading lamps
  11. Multi-function steering wheel and display



3.

4.

5.

6.

7.

8.



9.

10.





## The Viano Ambiente. Enchantment, whatever the distance

### **Welcome to the comfort zone**

For some people, travelling is more than just a matter of getting from A to B. These are the customers we had in mind when we developed the Viano Ambiente, a vehicle full of exciting possibilities which positively encourages you to enjoy the journey to the full.

### **Inner values**

Where you're going is sometimes less important than how you get there – a philosophy which the Viano Ambiente embraces with real panache. Stylish and elegant luxury appointments combine with a trend-setting design, to set new standards. You'll see what we mean (and your senses of smell and touch will confirm it) as soon as you get in.



Salzburg 300 km

Salzburg 100 km

S V1 1078

## The Viano Ambiente. For any more luxury, you'd need cabin crew

*The Ambiente line contains the following features in addition to the Trend*

---

17" light alloy wheels, 6-spoke

---

CD changer, 6 disc

---

Courtesy lights in doors

---

---

Front side airbags, left and right

---

Interior trim in 'burr walnut' (effect)

---

Leather upholstery

---

---

Leather steering wheel and gearshift lever

---

Luggage nets, for the front seat backrests

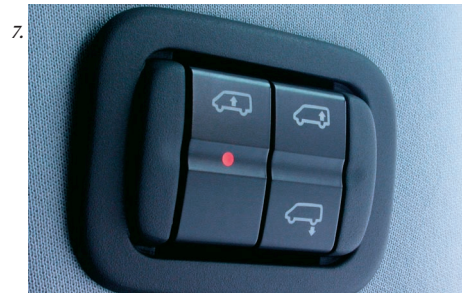
---

Self-levelling air suspension for the rear

---



- The Viano Ambiente standard features:*
1. 17" light alloy wheels, 6-spoke
  2. Leather multi-function steering wheel and gearshift lever
  3. CD changer, 6 disc
  4. Front side airbags, left and right
  5. Leather upholstery
  6. Luggage nets for the front seat backrests
  7. Self-levelling air suspension
  8. Interior trim in 'burr walnut' (effect)





## On your marks! Get set! Enjoy!

Flexible interior gives you the freedom you want  
There are plenty of different approaches when it comes to creating a flexible interior. We focused on safety, comfort and ergonomics, and fitted the Viano with a rail system which allows the comfortable and versatile individual seats and bench seats to be adjusted in 25-mm increments – a quick and easy process. The result is an interior that takes everyday demands and challenges in its stride – from ferrying the entire family plus their luggage away on holiday, to coping with a serious amount of shopping, a volleyball team, that bargain from the flea market, a stack of crates ...



*Viano's luxury individual seats (1st row, rear) have adjustable backrests which can be folded down onto the cushion to form a horizontal surface. The seats can also be put into their compact "stowed" position to save space*



All of which goes to make the Viano a desired vehicle for people who like to travel with their family or friends, who prefer to take a laid-back approach to the challenges of everyday life or who simply want a particularly spacious vehicle for their business trips. And, of course, it's a vehicle for people who want to be ready for unexpected eventualities. This flexibility comes attractively packaged in an appealing interior which is available in two model lines and complimented by a host of special equipment, available at additional cost.



*The extremely flexible seat adjustment system is very useful not only for the passengers, but also when you need to alter the size of the luggage compartment*

*The Viano is equipped standard with seven seats (incl. driver and front passenger). An optionally available 3-seater bench seat can be fitted (at extra cost), making it possible to carry up to eight occupants*

*Similarly, the rear bench seat can be replaced by two individual chairs (free of charge option) to give you executive levels of luxury*



7 seats (standard)



8 seats (optional)



6 seats (optional)



**Sitting room, relaxation room or office – it's entirely up to you**  
A rail-mounted seating system makes it possible for the Viano's individual and bench seats to be moved safely and easily in very closely spaced (25 mm) increments. This results in a vast range of seat configurations which can be adjusted to meet your specific requirements whenever necessary. Thanks to the ease with which the seats can be arranged in a face-to-face configuration, it is possible to create a desirable setting in which the passengers can talk to each other or work at the folding table (at extra cost) during the journey. The inclination of the rear seat backrests can also be adjusted – a particularly useful feature when you want to relax.

#### **Ease and convenience**

If you ever need to remove the rear seats entirely, it's good to know that the procedure is just as easy as that for reconfiguring their layout: all you have to do is place the seat in its stowed position, undo the quick-release lock and lift the seat out of the rails – it's as simple as that. The integral three-point seat belt stays with the seat, which reduces the risk of it being damaged by the load. This conversion process requires no tools and is so quick that it can be performed whenever there is a need to carry a large load – and the seats are not required.



*The seats in the Viano can be adjusted easily in increments of 25 mm*





## Appeal on wheels. Even at the steering wheel

### Dynamically superior

As far as their driving performance is concerned, Multi-Purpose Vehicles have to meet some challenging requirements: on the one hand, they're expected to offer as much space as possible; on the other, they should have excellent handling and ride characteristics. The Viano demonstrates that these conflicting demands really can be reconciled. How's it done? Well, there's the advanced chassis, which not only provides a superbly dynamic and comfortable ride but also good safety standards, not least thanks to the standard ESP<sup>®</sup> system.



Then there's the rear-wheel drive, which helps to ensure that no torque-steer effects are felt and that the handling retains its forgiving character. Or the all-round independent suspension and air suspension for the rear axle (standard on the Ambiente), the benefits of which are particularly apparent when towing a trailer. And finally, there's the Viano's excellent manoeuvrability which helps to ensure that it always cuts a fine figure, even in the hustle and bustle of city driving.

*A longitudinally-mounted front engine in combination with rear-wheel drive and ESP®: the Viano has got what it takes to help to ensure consistently good traction control*

## Good sense and great fun have seldom paired up so well

### **The safety concept of Viano: more is better**

Designed to provide a high level of active and passive safety, the Viano is equipped with an extensive range of safety features, the key element being the safety body with its high-strength passenger cell and load-bearing members. Other important features include the safety steering column, 3-point seat belts for all seats, and belt tensioners plus belt force limiters for the driver and front passenger seats. A front driver airbag is standard as is a front passenger airbag with seat occupancy sensor. Even more extensive airbag protection is available in the form of optional front side airbags (standard on the Ambiente) and optional windowbags for the driver and front passenger, both available at extra cost.

### **Circuits that keep you on track**

Another of Viano's standard safety features is the latest generation of the Electronic Stability Programme (ESP<sup>®</sup>) which also incorporates the Anti-lock Braking System (ABS) in combination with Acceleration Skid Control (ASR), Electronic Brake Force Distribution (EBV) and the hydraulic Brake Assist System (BAS). Together, these systems greatly improve directional stability and traction in critical situations. Working in conjunction with Viano's powerful brake system, ABS, BAS and EBV keep stopping distances reassuringly short and help to ensure that the vehicle remains easy to control, even during emergency braking.

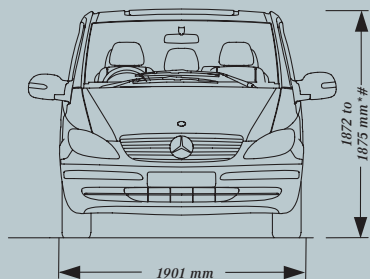


*Whether in individual or bench form, all the seats in the Viano have 3-point seat belts.*

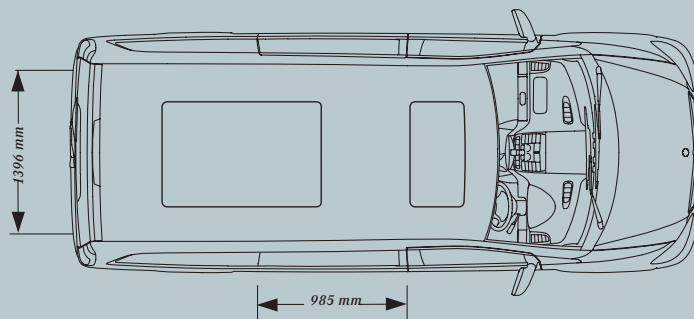
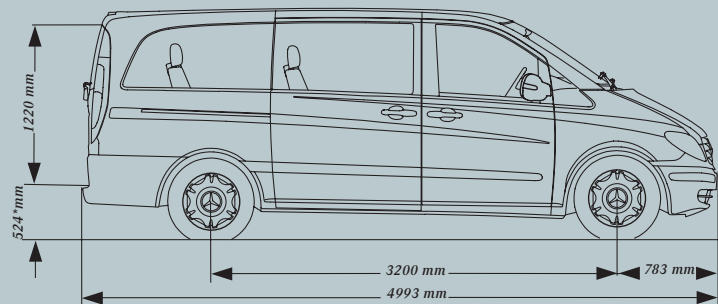
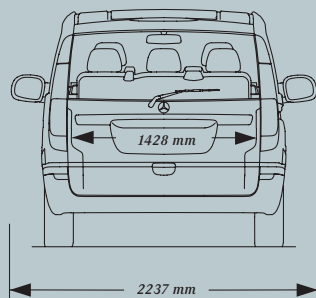
*The driver and front passenger seats also have belt tensioners and belt force limiters.*

*Artificial inflation of airbag for photo purposes only, showing front side airbags (standard on Ambiente, optionally available at extra cost for Trend), and windowbags (optionally available at extra cost).*

# Dimensions



\*Unladen vehicle  
#Roof rails increase height  
by 48 mm



# Technical data

	<i>Viano CDI 2.2</i>	<i>Viano 3.5</i>
<i>Engine type</i>	<i>turbocharged diesel</i>	<i>petrol</i>
<i>Number of cylinders/arrangement</i>	<i>4/in-line</i>	<i>6/V</i>
<i>Total displacement (cc)</i>	<i>2148</i>	<i>3724</i>
<i>Rated output (kW at rpm)</i>	<i>110/3800</i>	<i>170/5600</i>
<i>Max. torque (Nm at rpm)</i>	<i>330/1800-2400</i>	<i>345/2500-4500</i>
<i>Acceleration from 0-100km/h (s)</i>	<i>13.4</i>	<i>9.1</i>
<i>Fuel consumption (l/100km)<sup>1</sup></i>	<i>8.8</i>	<i>13.2</i>
<i>CO<sub>2</sub> emissions (g/km)</i>	<i>227</i>	<i>309</i>
<i>Top speed, approx. (km/h)</i>	<i>179</i>	<i>199</i>
<i>Kerb weight<sup>2</sup> (kg)</i>	<i>2065</i>	<i>2085</i>
<i>Gross weight rating (kg)</i>	<i>2940</i>	<i>2940</i>
<i>Towing capacity (kg)</i>	<i>2000/750</i>	<i>2000/750</i>
<i>Tank capacity (l)</i>	<i>75</i>	<i>75</i>
<i>Tyre size</i>	<i>205/65 R16 - Trend 225/55 R17 - Ambiente</i>	<i>225/55 R17 - Trend &amp; Ambiente</i>
<i>Maximum roof load (kg)</i>	<i>150</i>	<i>150</i>
<i>Turning circle (m)</i>	<i>11.8</i>	<i>11.8</i>

<sup>1</sup> Figures according to ADR 81/01

<sup>2</sup> According to DIN 70020: incl. driver (68kg), luggage (7kg), all service fluids and tank 90% full, based on Trend line



## Ready for you – even your extra requirements

### *Optional extras (selection)*

---

*6 seats - four individual seats in the rear*

---

*8 seats - two bench seats in the rear*

---

*17" light alloy wheels, 6-spoke*

---

*Anti-theft alarm system*

---

*CD changer, 6 disc, below driver's seat<sup>1</sup>*

---

*COMAND system (Cockpit management and data system) incorporating navigation, AM/FM radio, CD player and telephone functionalities (optional)*

---

*Dark tinted glass in rear*

---

*Driver and front passenger seats electrically adjustable with memory*

---

---

*Electrically folding exterior mirrors*

---

*Foldaway table in rear*

---

*Front side airbags, left and right<sup>1</sup>*

---

*Glass electric sunroof with lifter, front*

---

*Glass electric sunroof with lifter, rear*

---

*Headlight assist & rain sensor*

---

*Headlight cleaning system*

---

*Heated front seats*

---

*Leather steering wheel and gearshift<sup>1</sup>*

---

*Linguatronic (voice control for COMAND)*

---

---

*Load compartment floor (extending)*

---

*Luggage nets, for the front seat backrests<sup>1</sup>*

---

*Lumbar support for driver and front passenger seats*

---

*Metallic paint*

---

*Parktronic system*

---

*Rear Entertainment System (screen with DVD)<sup>2</sup>*

---

*Sliding windows for sliding door, left and right*

---

*UHI, mobile phone pre-installation*

---

*Windowbags for driver and front passenger*

---

<sup>1</sup> Standard with Ambiente Line

<sup>2</sup> Only available in conjunction with COMAND Control and Display System



- Options available at extra cost:*
1. Glass electric sunroof, with lifter, rear
  2. 17-inch light alloy wheels, 6-spoke
  3. Driver and front passenger seats electrically adjustable with memory
  4. Load compartment floor (extending)
  5. UHI, mobile phone pre-installation (shown with cradle, available at extra cost)
  6. Dark tinted glass in rear
  7. COMAND system
  8. Foldaway table in rear
  9. Parktronic system



With the accessory ideas for the Viano,  
there's no limit to what you can achieve

**A helping hand for convenience and practicality**  
With a range of genuine accessories from Mercedes-Benz, the realm of possibilities for adding to the existing comprehensive standard and optional specifications is virtually boundless. A selection of practical and intriguing ideas offering supreme quality and safety, all tailor-made for your Viano. So get ready to go out and explore new horizons.



- Viano Accessories  
(available at extra cost)*
1. 'Silverstone' or 'burr walnut' (effect) upper dashboard trim
  2. Leather steering wheel with Silverstone or 'burr walnut' (effect) trim
  3. Floor mats
  4. Alustyle rail-mounted basic carrier bars
  5. Stainless-steel side skirts, 17" light-alloy wheels, 5-spoke
  6. Luggage retention net
  7. Luggage compartment cover
  8. Luggage compartment tray, deep
  9. Coolbox and stainless steel thermos flask

# Possible paint and upholstery combinations

<i>Trend</i>	<i>Standard Paints</i>	<i>Magma red 3586</i>	<i>Arctic white 9147</i>	<i>Dark violet 4513</i>	<i>Mellite yellow 1247</i>	<i>Aqua green 6830</i>	<i>Atlantis blue 5373</i>	<i>Velvet red 3583</i>	<i>Metallic Paints</i>	<i>Carbon black 9154</i>	<i>Brilliant silver 9744</i>	<i>Amber red 3548</i>	<i>Andradite green 6816</i>	<i>Jasper blue 5345</i>	<i>Lugano grey 7735</i>
<i>"Casca" orion grey</i>	■	■	■	■	■	■	■		■	■	■	■	■	■	■
<i>"Casca" stone</i>	□	□	■	—	■	—	■		■	□	■	■	□	—	
<i>Ambiente</i>															
<i>"Catania" leather, two-tone orion grey/mid orion grey</i>	■	■	■	■	■	■	■		■	■	■	■	■	■	■
<i>"Catania" leather, two-tone stone/mid pebble</i>	□	□	■	—	■	—	■		■	□	■	■	□	—	

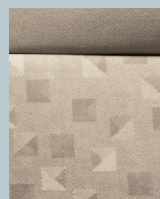
■ Recommended   □ Possible   — Not recommended

## *Trend*

*"Casca" velour upholstery with "Silverstone" trim*



*orion grey*  
VT5



*stone*  
VT6



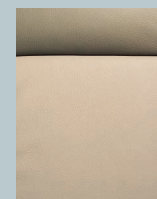
*"Silverstone" trim*

## *Ambiente*

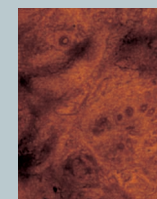
*"Catania" leather upholstery with 'burr walnut' (effect) trim*



*orion grey/mid orion grey*  
VT7



*stone/mid pebble*  
VT8



*Burr-walnut trim (effect)*

Standard paint



*Magma red - 3586*



*Arctic white - 9147*



*Dark violet - 4513*



*Mellite yellow - 1247*



*Aqua green - 6830*



*Atlantis blue - 5373*



*Velvet red - 3583*

Metallic paint  
*optional*



*Carbon black - 9154*



*Brilliant silver - 9744*



*Amber red - 3548*



*Andradite green - 6816*



*Jasper blue - 5345*



*Lugano grey - 7735*

*“One thing I feel most passionately about:  
love of invention will never die”*

*Karl Benz*

