

This brochure has been compiled by DaimlerChrysler AG of Germany and is distributed internationally. It provides a general indication of the range of models, features, optional extras and/or colours available in various countries. Some of the models, features, optional extras and/or colours shown may not be available in your country or may only be available in a different specification. Additionally some models, features, optional extras and/or colours may only be available in combination with others. For current and more specific information in relation to the range of models, features, optional extras and/or colours available in your country, and their pricing, you should contact your nearest authorised Mercedes-Benz Passenger Car Dealer.



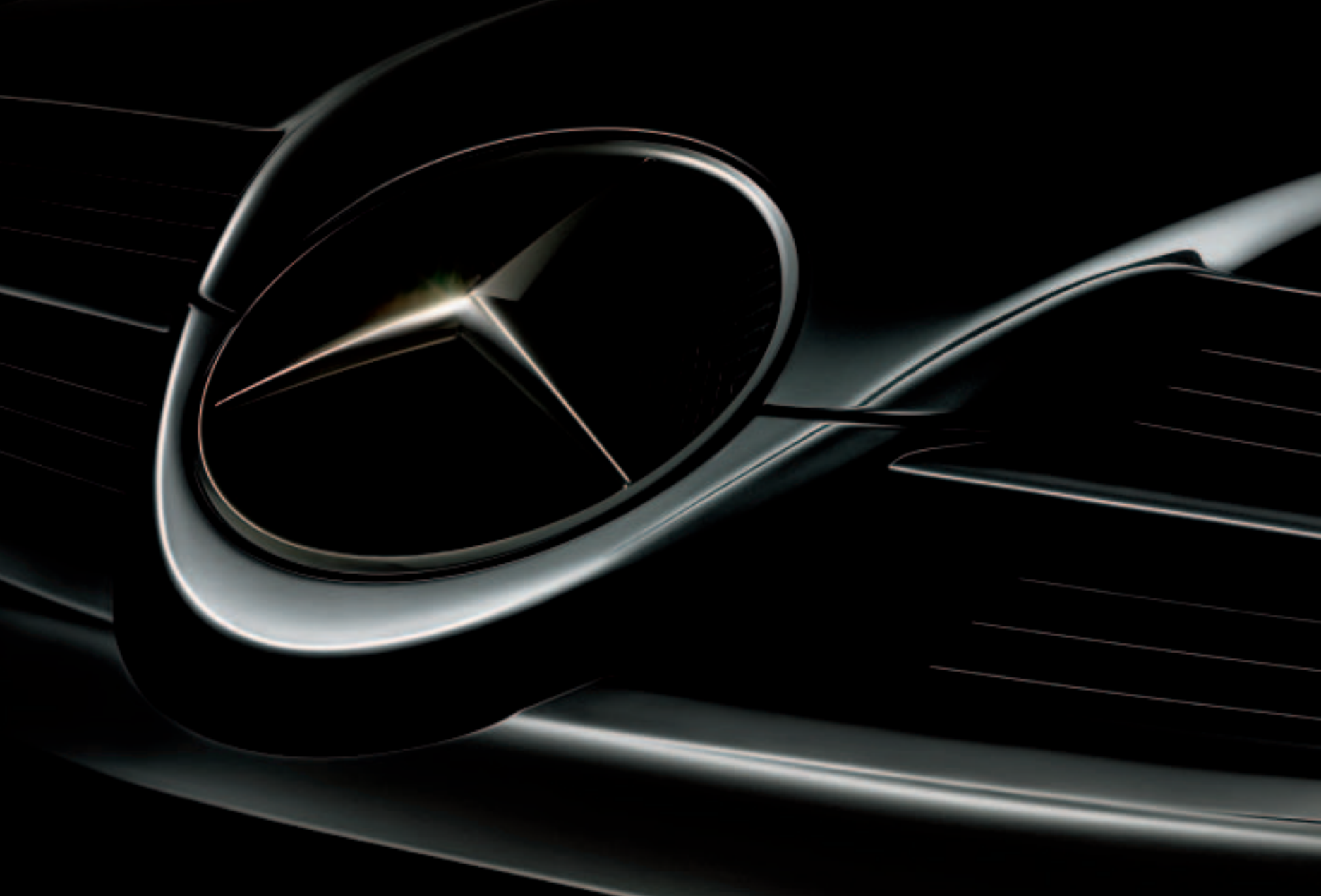


THE SLK-CLASS



Mercedes-Benz

By the laws of mathematics, a curve is a line which gradually deviates from the straight. By the laws of the heart, it's simply a moment of pleasure





There are some curves
you can appreciate standing still





Contents

06	Design
08	Dynamic handling
12	SLK 55 AMG
14	Vario-roof
18	Safety
22	Engines and technology
26	Interior
34	designo
36	Equipment
42	Paintwork and upholstery
46	Technical data
48	Dimensions
50	Glossary

Next stop on the pleasure curve – infinity!

Did you know that emotions – like pleasure – actually originate in the brain and not, as used to be thought, in the heart? Sense impressions like seeing, hearing and touching create an overall “picture” which is relayed by the midbrain to other brain regions where emotions are produced.

With the SLK 280, the same thing happens. Firstly, visual receptors clock the sporty, compact and muscular styling. Start up the new-generation 6-cylinder engine and your auditory receptors too will be treated to some powerful stimuli as they register the 170 kW (231 hp) waiting to be unleashed. Then, just 22 seconds later, the vario-roof opens up and your skin registers that unfiltered roadster feel. And if it’s at all chilly, the optional AIRSCARF neck-level heating system will keep you comfortably warm. Happily, your senses probably won’t notice the smooth gear changes. The optional 7G-TRONIC automatic transmission ensures that the engine always operates in its most efficient range. On corners, the agile steering and firm suspension make the driving pleasure complete. By this point if not before, your brain will be telling you that this strong buzz of emotion is coming from the heart.

But wherever these moments of pleasure originate, the Mercedes SLK certainly knows how to produce them. In infinite number.





A smile is a curve that sets everything straight

The media had already dubbed the SLK the “small Silver Arrow” even before it ventured outside the pages of the motoring magazines. With its gutsy styling, its arrow-shaped body and its highly characteristic tail, it combines a classic sporty personality with effortless poise and assurance. The radiator grille is another eye-catcher.

But despite its family resemblance to other Mercedes models, this roadster has always had a highly distinctive personality. Its sporty suspension is even more agile than before and its interior has grown in every direction.

The bonnet of the SLK 200 KOMPRESSOR shelters a sweet-sounding member of the 4-cylinder engine family, developing 120 kW (163 hp). In the SLK 350, with its 200-kW (272-hp) output, and the SLK 280 with 170 kW (231 hp), the power is delivered by new-generation 6-cylinder engines. All three models are equipped with a sporty 6-speed manual transmission as standard. Optionally, the 4-cylinder model is available with a 5-speed automatic transmission and the 6-cylinder models with the 7G-TRONIC 7-speed automatic transmission, which can be supplied with steering-wheel gearshift buttons. 7G-TRONIC is standard in the 8-cylinder SLK 55 AMG. For an even sportier stance, lowered sports suspension is also optionally available.









SLK200

S 0A 3478

Time flies. Better catch up with it

Sometimes, we all wish time would stand still. But a 0 to 100 km/h time of 4.9 seconds is calculated to dispel such thoughts pretty quickly. With its AMG 5.5-litre V8 engine, the SLK 55 AMG Roadster is unique in its class, delivering a sonorous 265 kW (360 hp) of power and peak torque of 510 Nm. The power flow to the wheels is managed by the AMG SPEEDSHIFT 7-speed automatic transmission with steering-wheel gearshift buttons.

Along with the corner-hugging AMG sports suspension, there are plenty of further pointers to the power and muscle of the SLK 55 AMG. Like the AMG bodystyling and the AMG multi-spoke 18-inch light-alloy wheels, carrying 225/40 R 18 tyres at the front and 245/35 R 18 tyres at the rear.

The interior meanwhile welcomes you with finest-quality nappa leather AMG sports seats, an ergonomic AMG sports steering wheel with gearshift buttons and the AMG instrument cluster. On the outside the highlights include the AMG sports exhaust system with two twin chromed tailpipes and the AMG high-performance brake system with composite discs and 6-piston fixed callipers.

Optionally, the regular SLK models too are available with AMG bodystyling and AMG 5-spoke 18" light-alloy wheels.

Further information can be found in our AMG brochures.





Quick to apologise for bad weather – the ultra-civilised roof

The SLK is the only model in its class capable of converting from a hardtop coupé into an open-top roadster. Press a button and in just 22 seconds, quicker than even the weather can change, you can be at one with the elements. The electrohydraulic vario-roof moves backwards in a single elegant motion and disappears out of view into the rear of the car. Thanks to the intelligently designed folding mechanism, the SLK is able to offer significantly greater boot space than its predecessor when the roof is lowered.

When the roof is raised, the tinted glass has a pleasant cooling effect, while at colder temperatures the heated rear windscreen gives you a clear view to the rear. The optional vehicle key with infrared remote control can be used to open and close the vario-roof.





The vario-roof.

There's no such thing as bad weather

Not even the most overcast skies can dampen your enthusiasm: in the space of just a few seconds the vario-roof rises and retracts, the C-pillars fold down and the rear window pivots. All these elements are designed to nestle together neatly in the rear compartment, thereby saving space and increasing the luggage capacity. A partition keeps the stowed roof elements separate from the luggage.

Our forecast:

sunshine and plenty of luggage space

The Roadster feel-good factor increases with every extra piece of luggage you find you can fit into the more spacious boot of the SLK. Even with the roof open, it boasts a luggage capacity of 208 litres (with TIREFIT) compared with the previous model's 145 litres. And with the roof closed, the figure rises to 300 litres. You'll find the interior is also very accommodating with its handy stowage facilities and the extra-large glove compartment. To keep your hair neat and tidy as well, the SLK can be optionally equipped with a mesh draught-stop which can be attached easily to the roll-over bars. An optional transparent draught-stop is also available.





SLK350

S 0E 6513





Caring for your safety

One day, technology may make it possible to see into the future so that vehicles can simply avoid getting into dangerous situations in the first place. Until then, however, we are committed to doing everything we can to protect you from unforeseen hazards with our comprehensive range of intelligent safety concepts.

In the event of a head-on collision whose severity exceeds a predetermined level, the restraining effect of the belt tensioners is complemented by the adaptive driver and passenger airbags. These have a two-stage deployment system which is triggered according to the severity of the impact. Two additional, highly sensitive crash sensors at the front of the vehicle detect the severity of the accident with an even greater degree of precision.

Furthermore, the SLK-Class is equipped with head/thorax airbags. Fitted in the outside edge of the seat backrests, these enlarged sidebags offer additional head protection by inflating to prevent any contact between the occupants and the door/window in the event of a side collision. Yet another form of hazard is detected by the roll-over sensor which triggers both belt tensioners and the head/thorax bags in certain sideways roll-over situations.





**Two safety specialists accompany you everywhere:
ESP® and BAS**

If the vehicle is in danger of skidding, the Electronic Stability Program (ESP®) helps stabilise the situation by braking one or more wheels as required and adjusting the engine output accordingly. The optional tyre pressure loss warning system offers additional safety. Also on board is the electronic Brake Assist system (BAS) which recognises emergency braking by the speed with which you press the brake pedal and immediately builds up the maximum braking force. Run-flat tyres, which can still be driven for some 30 to 50 km (to the nearest garage, for example) following a puncture are available as an option.

The passenger safety cell.

True strength comes from within

The highest levels of safety are offered by features such as crumple zones, outstanding torsional stiffness and the roll-over bars which are anchored in the body.

See others in the best possible light

The SLK is equipped as standard with clear-lens halogen headlamps which provide optimum illumination without dazzling other road users. As an option, you can specify bi-xenon headlamps which feature dynamic range adjustment and the cornering light function.

The sportiest curves of all were invented by our engineers

The best way to make the most of a bend is to have the right transmission. The 5-speed automatic transmission in the SLK 200 KOMPRESSOR allows you to make comfortable and rapid progress. And if you want an even sportier drive then there's the 6-speed manual transmission which comes as standard in the SLK except in the SLK 55 AMG.

7G-TRONIC is the world's first 7-speed automatic transmission for passenger cars and is available for the 6-cylinder models and above. 7G-TRONIC keeps very close to an ideal curve too – the ideal performance curve. The use of seven speeds results in smaller intervals between ratios, and due to the multiple downshift principle, the transmission skips some gears under kick-down, for faster acceleration. A further advantage is that the use of seven speeds brings a reduction in average engine speeds and thus also in fuel consumption. Optionally, the automatic transmission can be supplied with steering-wheel gearshift buttons.





SLK 350



S 0A 3477



The 6-cylinder engines in the SLK are not only an acoustic treat. Also their performance is very impressive. For example, the SLK 280 accelerates from 0 to 100 km/h in just 6.3 seconds. The SLK 350 is even more sporty. Its engine has even greater pulling power and it also sounds more powerful. It has 30 kW more output and 50 Nm more torque, allowing it to sprint from 0 to 100 km/h in just 5,6 seconds. That is class-beating performance



The SLK 350 is the first choice for the sporty driver: its special 17-inch wheels and the extra-large brake system with perforated front brake discs immediately signal dynamic poise and assurance

You don't have to travel the world to encounter some sporty curves

Your SLK boasts some of the finest curves you're ever likely to come across. Both outside and in. If you're enthusiastic about sporty driving, you'll find the exciting design of the interior gets you even more in the mood. The most important information can be scanned at a glance on the instrument cluster, with its black-faced dials surrounded by silver-painted trim rings. The design is yet another example of our meticulous attention to seemingly small details. Like the silver-painted magnesium trim on the door handles and parts of the armrest.






Ab Start

0 km 1:05 h

0 km/h

0.0 l/100km

PRND 
+21.5 °C

x100
1/min

1/2







Lose yourself in a world of luxurious details

As an option, the SLK 350, SLK 280 and SLK 200 KOMPRESSOR can be equipped with leather appointments in alpaca grey or four other colours which harmonise perfectly with the silver-coloured switches, fascia elements and trim strips.

Equally impressive is the generous interior space: the seats with their sporty contours and magnesium frames are not only stunningly attractive but also offer plenty of lateral support during dynamic cornering. Available with optional seat heating, their backrests are equipped with handy clothes hooks.

Extra luxury is provided by the interior lighting package, standard in the SLK 350 and the SLK 55 AMG and available as an option for the SLK 200 KOMPRESSOR and the SLK 280. It includes centre-console and sun-visor lighting, footwell and exit lighting as well as a reading light fitted in the interior mirror.

THERMATIC automatic climate control comes as standard equipment in the SLK 280, SLK 350 and SLK 55 AMG. THERMOTRONIC luxury automatic climate control, which allows both the driver and the passenger to set their own individually desired temperatures, is available as an option.

With the AIRSCARF neck-level heating, you can enjoy the pleasures of convertible motoring even at less clement times of year. Ducts in the seat and in the head restraint direct a stream of pleasantly warm air upwards and onto the back of the neck. Three different temperature settings can be selected while the blower output is adjusted automatically in accordance with the speed of the vehicle





Thumbs up for the multi-function steering wheel! Just press one of the buttons to operate the standard-fitted trip computer, the optional telephone or the audio system

The optional speed-sensitive power steering reduces the steering effort required at low speeds, which is a real bonus when parking. By contrast, at high speeds, the power assistance is automatically adjusted to create a stiffer steering response, thereby aiding directional stability

The optional memory system stores the settings for the power-adjustable driver's seat, steering wheel and mirrors











Custom-design your SLK with the help of our designo range. Comprising 12 exclusive metallic paint finishes, fine woods and high-quality leather upholstery – or combined leather and Alcantara – with striking double-stitching. Matching leather trim elements and leather-trimmed roll-over bars are also available. The roll-over bars are now also available in conjunction with all the standard leather upholstery colours



You can also specify designo wood trim elements, in designo anthracite tamo or designo natural poplar, or an Alcantara roof lining. Depending on what other designo trim or upholstery elements you select, we can also supply the steering wheel and selector lever in two-tone designo leather or in a designo wood/leather version. Further information can be found in our designo brochure

If you want to attract admiring glances, choose the fine-quality nappa leather upholstery in tobacco brown, or leather upholstery in one of the five other colours

The optional COMAND APS control and display system puts all the information you need at your fingertips. Add-on modules for COMAND APS include a CD changer and a 380-watt harman/kardon LOGIC 7 surround sound system with 11 loudspeakers (9 speakers are fitted as standard with all radios). The COMAND APS navigation system guides you to your destination quickly and reliably. For safety reasons, the video picture is deactivated when your speed exceeds 6 km/h, leaving the sound only



Ensuring your comfort, even at high-speed: the three-piece draught-stop makes every drive a joy. The transparent perspex panel and the plastic-framed mesh sections for the roll-over bars can be fitted in next to no time

Increase the capacity of the boot: the elegant boot bag, made from high-quality ballistic nylon, offers portable stowage space. The front features a large leather inset panel, embossed with the letters "SLK". The stylish bag also has castors for ease of transport. A matching suit carrier is also available, designed to hold up to three items of clothing. It can be hung behind the seats to save space. Both the boot bag and the suit carrier are available ex factory

All accessories are available as optional extras





A sporty look: the elegant 17-inch 10-spoke light-alloy wheels. Available as an option for the SLK 200 KOMPRESSOR, the SLK 280 and the SLK 350, size 225/45 R 17 at the front and 245/40 R 17 at the rear

Equally dynamic: the 16-inch, 5-spoke light-alloy wheels, standard on the SLK 280 and available as an option for the SLK 200 KOMPRESSOR, size 205/55 R 16 at the front and 225/50 R 16 at the rear

Standard on the SLK 350 and available as an option for the SLK 200 KOMPRESSOR and the SLK 280: the 17-inch, 5-spoke light-alloy wheels, size 225/45 R 17 at the front and 245/40 R 17 at the rear

Pure aesthetics: the multi-piece, 5-spoke Sadachiba incenio designer wheel from the accessories range, size 225/40 R 18 at the front and 245/35 R 18 at the rear



Standard equipment

6-speed manual transmission

16-inch light-alloy wheels, 7-spoke¹

Adaptive (two-stage) front airbags and head/thorax bags (enlarged sidebag providing chest and head protection) for driver and passenger

Anti-lock braking system (ABS)

ASSYST PLUS service interval indicator with service computer

Automatic child seat recognition in passenger seat

Automatic heating and ventilation system with dust filter and air recirculation button with convenience feature (automatic window closing)

Belt tensioners with belt force limiters

Central locking with interior switch

Cruise control with SPEEDTRONIC variable speed limiter

Driver and passenger seats height-adjustable

Electrohydraulic vario-roof, body-coloured, with heated rear windscreen

Electronic Stability Program (ESP®)

Folding armrest with compartment

Front fog lamps, one rear fog lamp

Indicator repeaters in exterior mirrors

Leather steering wheel

Locking system with radio frequency remote control and immobiliser

Multifunction steering wheel

Power steering with safety steering column

Radio aerial in rear wing

Remote boot-lid release

Roll-over bars

Seat occupancy sensor for passenger seat

Sports seats with magnesium backrest (folding) and integral head restraint

Steering column manually adjustable for reach and height

Stowage box on rear bulkhead, between seats

Stowage compartment (with socket) in place of ashtray

Stowage net in passenger footwell

THERMATIC automatic climate control²

Tinted windows all round

TIREFIT with electric air pump

¹16-inch 5-spoke wheels for SLK 280, 17-inch 5-spoke wheels for SLK 350, 18-inch multi-spoke wheels for SLK 55 AMG

²Available for SLK 200 KOMPRESSOR as an option

Optional extras

5-speed automatic transmission¹

7G-TRONIC 7-speed automatic transmission^{2,3}

AIRSCARF neck-level heating

Alustyle basic carrier bars

AMG bodystyling³

Anti-theft alarm system (ATA) with tow-away protection

Audio 20 radio

Audio 50 APS radio (CD)

Automatically dimming interior mirror and exterior mirrors (both sides)

Battery with increased capacity³

Bi-xenon headlamps with headlamp cleaning system,
dynamic headlamp range control and cornering light function

CD changer (for 6 CDs) in glove compartment

COMAND APS control/display system for radio/navigation

Garage door opener

Headlamp cleaning system

Heated seats³

Heated windscreen washer system

Interior lighting package⁴

Leather gearshift lever

Leather upholstery³

Memory package for driver's seat, steering column and mirrors

Mesh draught stop

PARKTRONIC

Pre-installation for roof rack system

Rain sensor

Run-flat tyres⁶

Speed-sensitive power steering

Sports suspension, lowered

Steering-wheel gearshift buttons^{3,5}

Surround sound system harman/kardon LOGIC 7^{®7}

THERMOTRONIC luxury automatic climate control

Transparent draught-stop

Tyre pressure loss warning system

Vehicle key with infrared remote control for vario-roof operation

Wood/leather steering wheel

¹ For SLK 200 KOMPRESSOR only

² For SLK 280 and SLK 350 only

³ Standard in SLK 55 AMG

⁴ Standard in SLK 350 and SLK 55 AMG

⁵ Only in conjunction with automatic transmission

⁶ Only in conjunction with 17-inch tyres

⁷ Not in conjunction with Audio 20 radio

Paintwork and upholstery – the combination options

	<i>*Stemma " fabric</i> black	<i>Leather</i> black	universe blue	orient beige	dusky red	alpaca grey	<i>Nappa leather</i> tobacco brown
<i>Non-metallic paint</i>							
black	●	●	●	●	●	●	●
fire opal	●	●	△	○	△	●	△
alabaster white	●	●	○	●	●	●	●
<i>Metallic paint</i>							
obsidian black	●	●	●	●	●	●	●
jasper blue	●	●	△	△	△	○	△
tanzanite blue	●	●	△	○	△	●	△
amber red	●	●	△	●	△	●	△
cubanite silver	●	●	△	△	●	●	●
tellurium silver	●	●	●	△	○	△	○
iridium silver	●	●	●	△	●	○	●
andradite green	●	●	△	●	△	○	○
benitoite blue	●	●	●	○	△	●	△
<i>Wood</i>							
vavona	●	●	○	●	●	●	●

● Recommended ○ Possible △ Not recommended

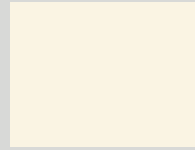
**Non-metallic
paint**



040 black



590 fire opal



960 alabaster white

Metallic paint
Optional extra



197 obsidian black



345 jasper blue



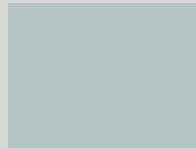
359 tanzanite blue



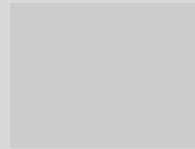
548 amber red



723 cubanite silver



762 tellurium silver

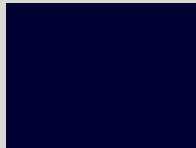


775 iridium silver



816 andradite green

Special paint
Metallic



950 benitoite blue

Tougher clearcoat

The clearcoat used on the SLK-Class is significantly more scratch-resistant than conventional paint and is characterised by a more durable sheen which is noticeably more intense. The secret of this protective coat is to be found in the countless tiny ceramic particles (each less than a millionth of a millimetre in size) which are integrated in the paint binding agent. Both non-metallic and metallic paint finishes benefit from the more scratch-resistant clearcoat which makes them less susceptible to the effects of the weather and environmental conditions such as precipitation, sunlight, temperature fluctuations, dust and soot.

Colours may differ slightly from those shown, owing to the limitations of the printing process.

Leather

*Optional extra,
nappa leather standard
in SLK 55 AMG*



871 (851) black¹



872 universe blue



875 (855) orient beige¹



877 (857) dusky red¹



878 (858) alpaca grey¹

Nappa leather

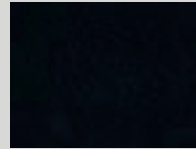
Optional extra



844 tobacco brown

**designo²
leather**

Optional extra

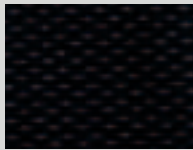


*X11 black
single-tone leather*



*X83 classic red
two-tone leather*

“Sienna” fabric



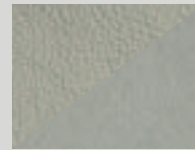
black

**designo²
leather/Alcantara**

Optional extra



X20 black



X21 alpaca grey

Wood

Optional extra



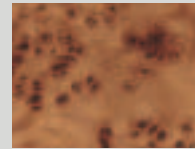
vavona

**designo²
trim elements**

Optional extra



W16 anthracite tamo



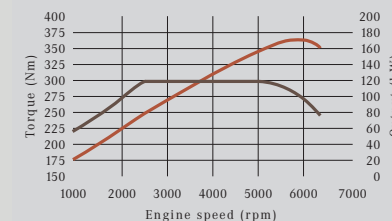
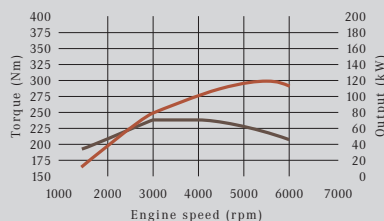
W61 natural poplar

¹Codes in brackets = nappa leather for SLK 55 AMG

²For further information, please see designo brochure



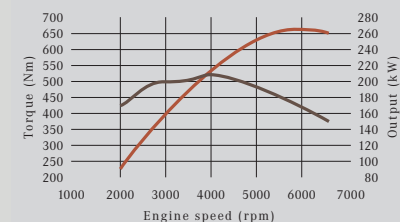
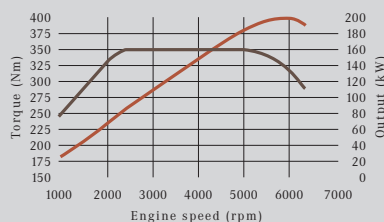
Technical data



SLK 200 KOMPRESSOR

SLK 280

No. of cylinders/arrangement	4/in-line	6/V
Total displacement (cc)	1796	2996
Rated output in kW (hp) at rpm ²	120 (163)/5500	170 (231)/6000
Rated torque (Nm at rpm) ²	240/3000-4000	300/2500-5000
Compression ratio	9.5	11.3
Alternator (V/A)	14/120	14/150
Acceleration 0-100 km/h (s) (automatic transmission)	7.9 (8.3)	6.3 (6.2)
Top speed, approx. (km/h) (automatic transmission)	230 (226)	250 ³ (250) ³
Tyre size front	205/55 R 16	205/55 R 16
rear	205/55 R 16	225/55 R 16
Fuel	Premium	Premium
Fuel consumption (l/100 km) ⁴ urban/extra-urban/combined (automatic transmission)	12.6-13.0/6.5-6.9/8.7-9.1 (12.5-12.9/6.7-7.1/8.8-9.2)	13.8-14.0/7.2-7.4/9.7-9.9 (12.9-13.1/7.0-7.2/9.3-9.5)
CO ₂ emissions (g/km) ⁴ (automatic transmission)	209-218 (211-221)	231-236 (222-227)
Tank capacity (l), inc. reserve, approx.	70/9	70/9
Turning circle diameter (m)	10.51	10.51
Kerb weight (kg) ⁵ (automatic transmission)	1390 (1415)	1440 (1460)
Perm. GVW (kg)	1705	1755



	SLK 350	SLK 55 AMG¹
No. of cylinders/arrangement	6/V	8/V
Total displacement (cc)	3498	5439
Rated output in kW (hp) at rpm ²	200 (272)/6000	265 (360)/5750
Rated torque (Nm at rpm) ²	350/2400 – 5000	510/4000
Compression ratio	10.7	11.0
Alternator (V/A)	14/150	14/150
Acceleration 0 – 100 km/h (s) (automatic transmission)	5.6 (5.5)	4.9
Top speed approx. (km/h) (automatic transmission)	250 ³ (250 ³)	250 ³
Tyre size front	225/45 R 17	225/40 R 18
rear	245/40 R 17	245/35 R 18
Fuel	Premium	Super Plus
Fuel consumption (l/100 km) ⁴ urban/extra-urban/combined (automatic transmission)	15.5/7.8/10.6 (14.2/7.8/10.1)	17.7/8.8/12.0
CO ₂ emissions (g/km) ⁴ (automatic transmission)	255 (242)	288
Tank capacity (l), inc. reserve, approx.	70/9	70/10
Turning circle diameter (m)	10.51	10.51
Kerb weight (kg) ⁵ (automatic transmission) Perm. GVW (kg)	1465 (1485)	1540
Perm. GVW (kg)	1780	1850

¹ Only available with automatic transmission

² Figures according to Directive 80/1269/EEC, in the currently applicable version

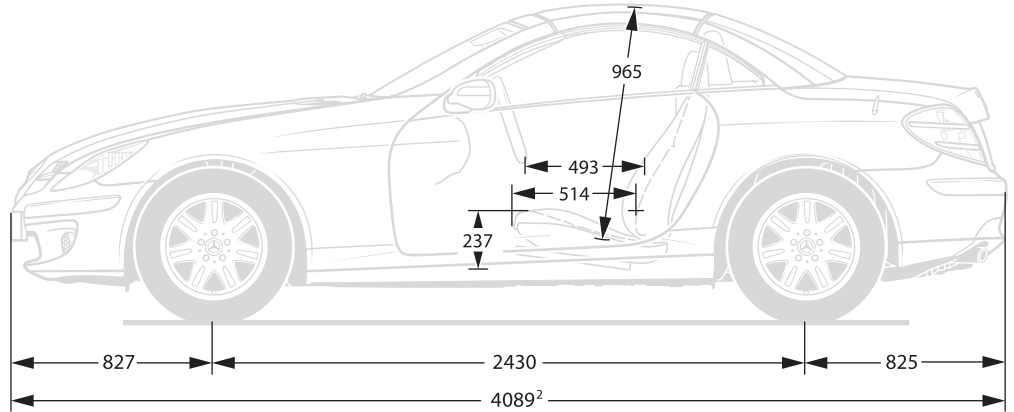
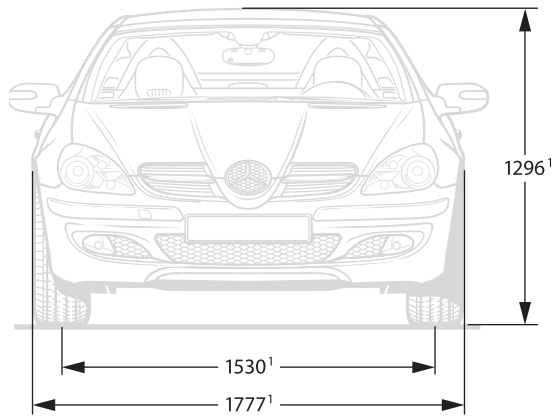
³ Electronically governed

⁴ The figures quoted were determined in accordance with the prescribed measuring method (Directive 80/1268/EEC in the currently applicable version).

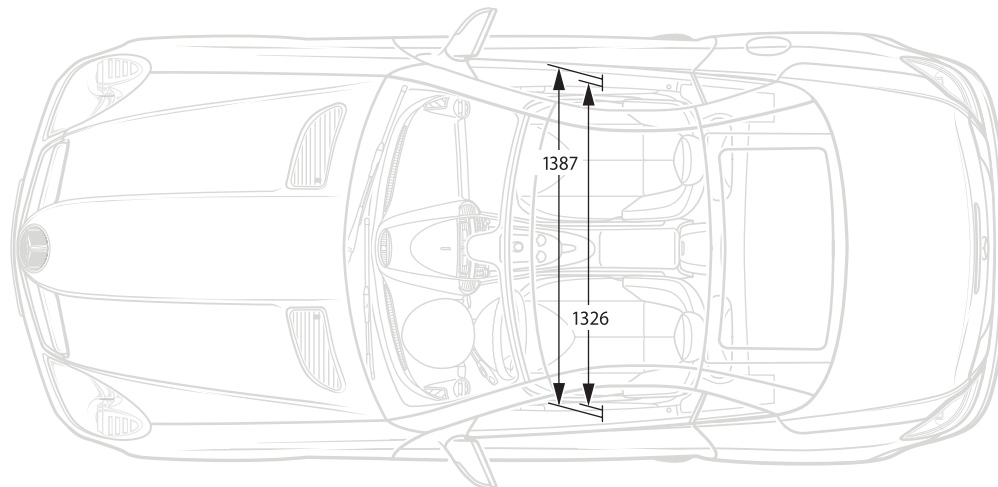
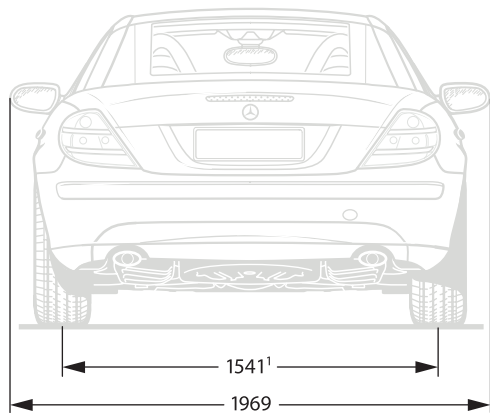
The figures do not refer to an individual vehicle and do not constitute part of the offer, but are intended to be used solely for the purpose of comparison between different vehicle models

⁵ Figures according to Directive 92/21/EC, version 95/48/EC (kerb weight with fuel tank 90% full, driver 68 kg, and luggage, 7 kg) for standard-specification vehicles.

Optional extras and accessories will generally increase this figure and reduce the payload capacity



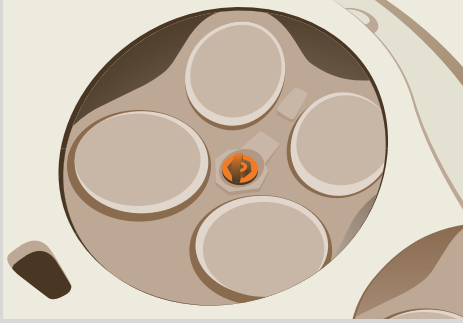
Would you like to know more about this car? An interactive Owner's Manual is available at www.mercedes-benz.de/betriebsanleitung



All figures in mm. The dimensions shown are average values. They apply to unladen, standard-specification vehicles.

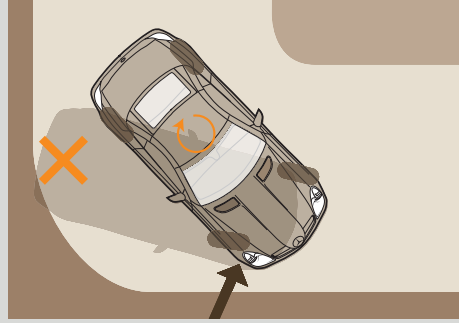
¹Dimensions apply to SLK 200 K – minor deviations for other models as a result of larger tyres

²Vehicle length includes number-plate adapter (7 mm)



Petrol engines with four valves per cylinder

The four-valves-per-cylinder format, combined with adjustable intake and exhaust camshafts, delivers higher rated output and torque across a broad engine speed range. An optimised combustion chamber design results in lower fuel consumption and reduced emissions. And a balancer shaft ensures smooth, refined engine running characteristics and reduces vibration.

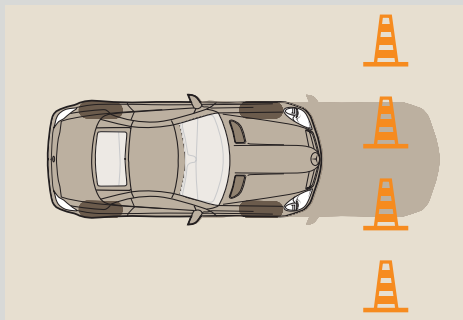


ESP® with tyre pressure loss warning system

If your car is in danger of skidding, the Electronic Stability Program (ESP®) is instantly activated. Its sensors recognise specific critical handling situations at an early stage (e.g. the fact that a wheel is spinning or is losing contact with the road). ESP® throttles back the engine torque and brakes one or more wheels as appropriate in order to stabilise the vehicle.

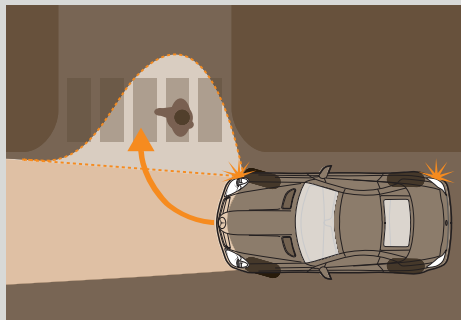
The new, integrated tyre pressure loss warning system also enhances driving safety by identifying a significant loss of pressure in a tyre and indicating this by means of a display in the instrument cluster. In this way, critical situations can be remedied at an early stage by fitting a spare wheel or by using TIREFIT.

Nevertheless, the tyre pressure loss warning system is not a substitute for regular checking of the pressure and condition of the tyres.



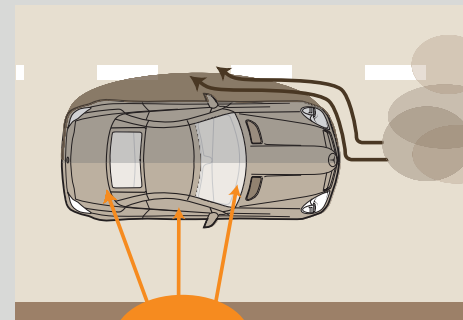
BAS

The electronic Brake Assist system (BAS) recognises emergency braking by the speed with which you apply the brake and instantly builds up the maximum braking force, bringing the car to a standstill in a shorter time.



Cornering light function

Provided in conjunction with the optional bi-xenon headlamps, the new cornering light function offers additional functionality in the form of a wider front fog-lamp beam which provides greatly improved illumination of the road into which the vehicle is turning. The appropriate front fog lamp is switched on automatically when the headlamps are on in dipped mode, the vehicle is travelling at less than 40 km/h and the indicator is activated or a given degree of lock is applied to the steering wheel. This allows pedestrians and potential obstacles to be seen at an early stage, thereby reducing the risk of an accident.



THERMOTRONIC luxury climate control

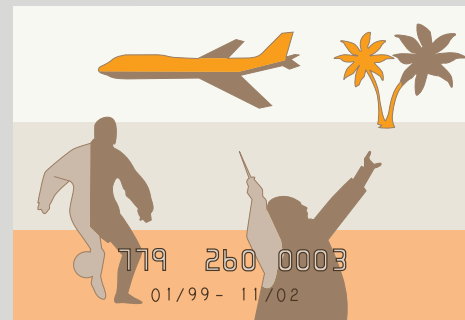
The driver and passenger can each configure their own preferred temperature and airflow settings. Sensors monitor the intensity of the sunlight while the intake-air quality is improved by a dust filter and an activated charcoal filter. The interior temperature and blower settings are adjusted automatically to create a pleasant atmosphere. A dew-point sensor measures air humidity and prevents the windows from misting up. The clearly laid-out display on the control unit makes the whole system easy to use.



Airbags and belt system

The SLK-Class is fitted with two-stage driver and passenger airbags as standard. In the event of an collision, the system automatically recognises the severity of the accident and activates the airbags in fractions of a second, offering the occupants an appropriate level of protection. Head/thorax bags provide additional safety. They are located on the outside of the backrests and are triggered in the event of a side-on collision. Belt tensioners are also activated in the event of a collision. When the brakes are applied suddenly, they pull the belts taut against the body, holding the occupants securely in their seats. The most important retention system is the seat belt. Airbags can

provide additional protection, but are subject to complex activation criteria and are not, therefore, triggered in the event of every accident. Details can be found in the Owner's Manual or the "Seat Belts and Airbags" brochure, which can be downloaded as a .pdf file (in English only) at www.mercedes-benz.com/airbag-brochure. You can also order copies from: Mercedes-Benz Customer Assistance Centre, "Airbag brochure", PO Box 1456, 6201 BL Maastricht, Netherlands.



MercedesCard

There's also a wealth of experiences to enjoy when you're not sitting at the wheel of your Mercedes-Benz. Owning a MercedesCard is all it takes. It acts as your ticket to the world of Mercedes-Benz and doubles as a practical credit card. The MercedesCard Journal contains details of a selection of sporting, cultural and travel events, put together especially for you. For further information call 00800-62 00 3190 in Germany, 0800-55 79 84 in Switzerland and 0800-20 65 65 in Austria.



DaimlerChrysler Bank – financial services

If you have already set your heart on your dream Mercedes and want to remain flexible in financial terms, our leasing, financing and insurance packages could be exactly what you're looking for. The on-line calculator allows you to work out your monthly payments for yourself. In addition to individually geared financial services, we can also offer you tailor-made investment products. For further information, visit www.daimlerchrysler-bank.com. Or call us on 0 18 03-32 22 65 (9 ct/min) or 0 18 03-DC BANK (9 ct/min).



MobiloLife

With MobiloLife, our mobility and warranty package, you can expect years and years of carefree driving. Whether you have lost your key, are having problems starting the car or have had a breakdown which cannot be repaired immediately, the mobility package ensures that you still reach your destination, in almost every country in Europe. Under certain circumstances we will even meet the cost of an airline ticket. And if help takes longer than expected, we will put you up in a hotel of your choice. But don't get too excited – after all it's very rare for a Mercedes to break down. Just call Mercedes-Benz on 00800 1777 7777 from almost any European terrestrial or mobile network and our Service24h

team will assist you in your own language. Our staff are there for you around the clock, 365 days a year. Your vehicle documents provide details of the respective alternative phone numbers for each country. MobiloLife will also help if you bring your car in for a major warranty or policy repair. MobiloLife applies to a new vehicle for a period of 2 years. It is then automatically renewed every time a service is carried out by a Mercedes-Benz service centre, remaining valid until the next service is due – for a maximum of 30 years. Our service even includes a warranty against rusting through from the inside. For more detailed information on MobiloLife, see your vehicle documents.





Take-back of end-of-life vehicles. Coming full circle

At the end of its long life, you can return your SLK-Class to us for environment-friendly disposal in accordance with the EC End-of-Life Vehicle Directive¹.
But that day lies a long way off.

¹Applies in accordance with national regulations to vehicles up to 3.5 t permissible gross weight. The SLK-Class has met the statutory regulations governing the suitability of the vehicle's design for reuse and recycling for a number of years now. A network of vehicle take-back depots and dismantlers has been established which will process your vehicle in an environment-friendly manner. The ways in which both vehicles and parts can be recovered are subject to ongoing development and improvement. Consequently, the SLK-Class will be able to comply with any future increases in the recycling quota within the stipulated time limits.

For further information, please call 00800 1777 7777.

Please note: changes may have been made to the product since this brochure went to press (08.08.05). The manufacturer reserves the right to make changes to the design, form, colour and specification during the delivery period, provided these changes, while taking into account the interests of the vendor, can be deemed reasonable with respect to the purchaser. Where the vendor or the manufacturer uses symbols or numbers to describe an order or the subject of an order, no rights may be derived solely from these. The illustrations may show accessories and items of optional equipment which are not part of standard specification. Colours may differ slightly from those shown in the brochure, owing to the limitations of the printing process. This brochure is distributed internationally. However, information given regarding statutory regulations, legal requirements and taxation applies to the Federal Republic of Germany only, at the time of going to press. Please consult your Mercedes-Benz dealer about regulations and their effects in other countries, and for final details.