

This brochure has been compiled by DaimlerChrysler AG of Germany and is distributed internationally. It provides a general indication of the range of models, features, optional extras and/or colours available in various countries. Some of the models, features, optional extras and/or colours shown may not be available in your country or may only be available in a different specification. Additionally some models, features, optional extras and/or colours may only be available in combination with others. For current and more specific information in relation to the range of models, features, optional extras and/or colours available in your country, and their pricing, you should contact your nearest authorised Mercedes-Benz Passenger Car Dealer.





THE NEW S-CLASS



Mercedes-Benz



Be ahead. The S-Class



<b>The S-Class</b>	<b>12</b>	<b>My S-Class</b>	<b>64</b>
SAFETY – PRO-SAFE™	14	EQUIPMENT	66
PERFORM-SAFE	16	Standard equipment	68
Night view assist	18	Optional extras	70
DISTRONIC PLUS	20	Light-alloy wheels	78
PRE-SAFE®	22	<hr/>	
PASSIVE-SAFE	24	GENUINE ACCESSORIES	80
POST-SAFE	26	<hr/>	
<hr/>		AMG BODYSTYLING	82
DYNAMISM	30	<hr/>	
Diesel engines	32	designo	84
Petrol engines	34	<hr/>	
Transmission	36	COLOURS AND MATERIALS	90
Suspension	38	Paintwork	92
<hr/>		Fabric and leather	94
COMFORT	42	Combination options	96
The long version	44	Wood	98
Seating comfort	46	<hr/>	
Climate control	48	TECHNICAL FEATURES	
Control and display systems	50	Technical data	100
Reversing camera	54	Dimensions	104
Entertainment	56	<hr/>	
<hr/>		SERVICE	106
THE S 600	60		



## The tradition of innovation

1959. Mercedes-Benz has always been a pioneer of innovative automotive technologies. In 1959, its “tailfin” model made history as the first production vehicle with safety passenger cell and crumple zones.

2005. With the new S-Class, Mercedes-Benz has confirmed its position as a pioneer. For example with the further improved DISTRONIC PLUS system including BAS PLUS. And a range of innovative comfort and convenience features, which again set standards.











The safety technology of tomorrow.  
In a car of today





## The S-Class



# Safety – PRO-SAFE™

## For the past 60 years, we've been shaping the future of safety

PRO-SAFE™ – The 5P safety philosophy from Mercedes-Benz

1959. It all started with a hidden revolution 46 years ago. When Mercedes-Benz presented the first production car with passive safety features, the innovations on board – the safety passenger cell with crumple zones – were invisible to the observer. These inventions were the brainchild of Béla Barényi, the Mercedes engineer whose trailblazing passive safety inventions paved the way for Mercedes-Benz to become a pioneer in this field.

In 1978, ABS made its breakthrough in the S-Class, and just three years later this was followed up by the world's first car with airbag and belt tensioners. Many more systems have been added to the list down the years, among them ESP® and PRE-SAFE®.

2005. The new S-Class and its PRO-SAFE™ integrated safety philosophy confirm Mercedes-Benz's position as a safety pioneer. With PRO-SAFE™, the vision of accident-free driving has moved a further step closer to fulfilment.

Transforming this vision into reality requires continuous optimisation of vehicle and road safety, guided closely by real-world accident research. PRO-SAFE™ is an integrated safety philosophy comprising four successive stages: PERFORM-SAFE, PRE-SAFE®, PASSIVE-SAFE and POST-SAFE. PERFORM-SAFE comprises all features which relate to safe driving, which can detect and warn of critical situations in good time and which can provide appropriate assistance. PRE-SAFE® comprises measures which put the occupants and vehicle on standby for a possible impact if a high risk of accident is detected. The next stage, PASSIVE-SAFE, can provide optimised protection for the passengers if an accident cannot be avoided, while POST-SAFE comprises all measures which help to raise the level of occupant protection following an accident.

In the new S-Class, all the various PRO-SAFE™ disciplines have been extended and optimised. The new S-Class is proof that Mercedes-Benz development work will continue to define the future of safety.

Béla Barényi –  
here with a safety prototype  
– is the acknowledged  
inventor of passive safety  
engineering. His name  
appears on the Mercedes-  
Benz patents for the safety  
passenger cell with crumple  
zones and the safety  
steering column







## The driver may not realise the danger. But the S-Class will

PERFORM-SAFE – when comfort also means safety

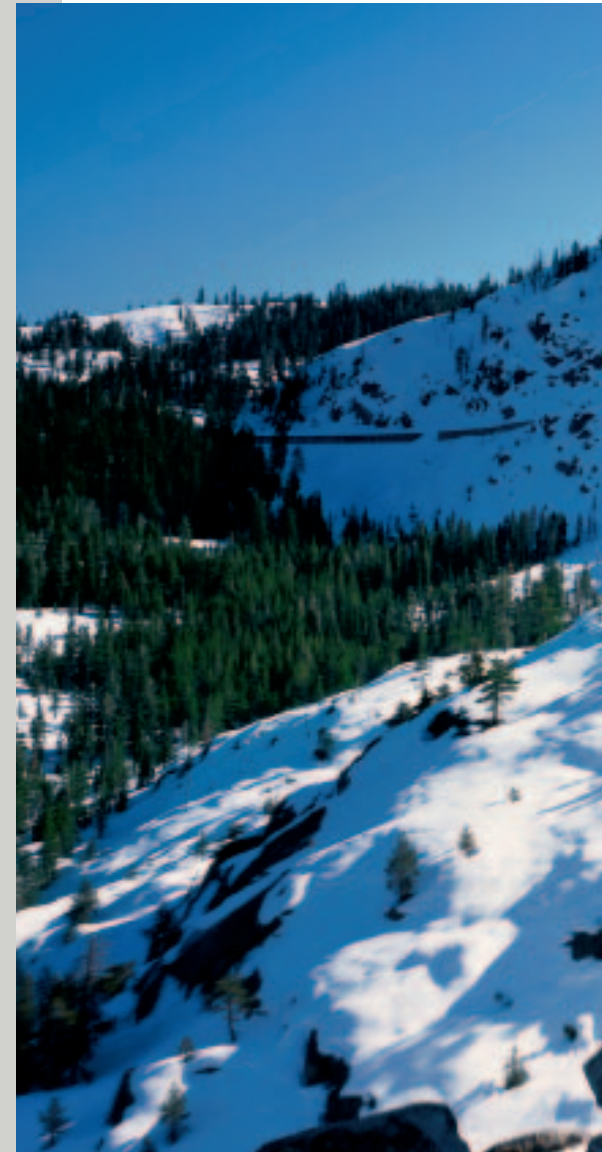
PERFORM-SAFE is an important element in the PRO-SAFE™ safety philosophy. PERFORM-SAFE is based on the Mercedes-Benz belief that driving should be as comfortable and safe as possible.

All Mercedes-Benz vehicles are designed to reduce driver stress. Features such as windscreen wipers and vehicle lighting are controlled automatically by sensors, for greater operating convenience. And the COMAND system has an ergonomic design.

Relaxed, stress-free driving is also a theme of systems like night view assist and DISTRONIC PLUS. For example night view assist allows you to spot an obstruction on the road sooner, even if visibility is severely impaired. DISTRONIC PLUS is the first cruise control system which also works in stop-and-go traffic.

As well as stress relief, another function of PERFORM-SAFE is to defuse potential risks at the earliest possible stage, to provide early warning of critical situations and to provide the most appropriate assistance.

Probably the most well-known example of a PERFORM-SAFE system is the Mercedes-Benz-developed Electronic Stability Program ESP®, which was first presented in 1995. The ESP® sensors identify any deviation from the intended course and can trigger corrective action. ESP® led to a drop of more than 42 per cent in the accident rate for newly registered Mercedes-Benz vehicles during the period 2002/2003.







## You can see at night what this road looks like in daylight

Night view assist – easier driving even in critical situations

You're driving on a dark road at night. In the distance you can vaguely make out a bend, but before you can begin to see more, you're dazzled by oncoming headlamps.

The optional night view assist system addresses this potentially hazardous situation by allowing you to see obstacles even when the light from oncoming traffic is impairing visibility.

Night view assist illuminates the road with infrared headlamps whose light beam is invisible to the human eye. The scene monitored by the infrared camera is projected as a greyscale image onto an eight-inch multifunction display in the instrument cluster. This image is similar to what you would see through the windscreen – with full-beam illumination.

Night view assist, which can be switched on and off as required, reduces driver stress when driving under conditions of limited visibility – but without dazzling oncoming traffic. This means you are able to react to hazards sooner and are more relaxed when you arrive at your destination – even after a long journey at night.



Test prop DC590100053816: soft toy deer, brown

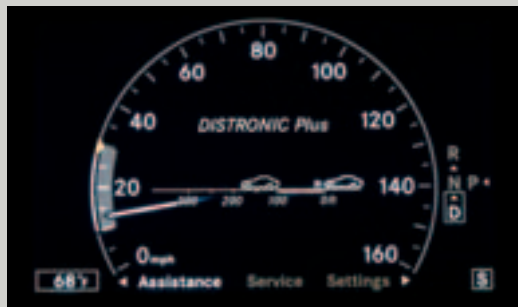
The soft toy deer used during testing of night view assist was quickly christened “Bambi” and it became a familiar face on the test track during the development process. The beneficiaries of this development work are Bambi’s real-life counterparts in the wild. Thanks to night view assist, animals and other hazards can now be spotted sooner

## In future, traffic jams may still delay your arrival. But they won't fray your nerves

DISTRONIC PLUS including BAS PLUS – for more relaxed driving in busy traffic

In 1999, we developed the proximity control system DISTRONIC to make driving in busy traffic less stressful. Now our further improved version of this stress-relieving system, the optional DISTRONIC PLUS, automatically helps you maintain a safe following distance even in stop-and-go traffic. DISTRONIC PLUS's improved sensor systems monitor proximity to other traffic anywhere in the speed range from 0 to 200 km/h and apply the brakes as soon as your vehicle starts to get too close to the vehicle in front. If necessary the vehicle is braked to a gentle standstill. To move off again, just pull the cruise control lever towards you or lightly depress the accelerator.

Thus the optional DISTRONIC PLUS makes for a more relaxed driving experience whether in stop-and-go situations or in motorway cruising. The DISTRONIC PLUS sensors are also used by the new-generation Brake Assist System BAS PLUS. Whenever the driver brakes, BAS PLUS analyses the sensor-supplied data and, if necessary, assists the driver by increasing the braking power in relation to the proximity to the vehicle in front.



### DISTRONIC PLUS

A display in the instrument cluster allows you to see at a glance how close you are to traffic in front





## The S-Class of 2002 was the first car with built-in reflexes. Now we've honed them even further

PRE-SAFE® – improved occupant protection in critical situations

PRE-SAFE®, introduced by Mercedes-Benz in 2002, is based on the principle that the valuable seconds between an accident risk being detected and the accident actually taking place should not be wasted.

Aided by sensors, the PRE-SAFE® system uses this time to make the S-Class even safer. The ESP® and BAS sensors identify potentially dangerous situations such as strong oversteer, critical steering movements, panic braking or emergency braking. PRE-SAFE® electronically evaluates this information and if a typical pre-crash situation is identified triggers precautionary measures to protect the occupants – the front passenger seat can be adjusted to an upright position, the sunroof closed and the seat belts pulled taut.

The new S-Class is equipped with an improved version of PRE-SAFE®, whose reactions have been enhanced even further. PRE-SAFE® now also uses input from the DISTRONIC PLUS environment-sensing system, helping it to identify critical situations even better. And the advance protection measures now also include closing of the side windows and inflation of the air chambers in the side bolsters of the optional multicontour seats or dynamic multicontour seats when appropriate. Seat inflation positions the occupants in an upright position which creates greater clearance between the seat and the side of the vehicle so that the sidebags can provide good protection. In these various ways, PRE-SAFE® illustrates Mercedes-Benz's commitment to enhanced road safety based on innovative technologies.









# Drivers need time to react. The S-Class takes fractions of a second

## PASSIVE-SAFE – adaptive accident protection

PASSIVE-SAFE comprises all the various measures which can provide protection if an accident proves unavoidable. They include the newly developed optional luxury head restraint for the driver and front passenger. The sensor-controlled restraint can react with split-second speed to a rear-end impact, reducing the distance between head and head restraint.

But the luxury head restraint is just one of many innovations incorporated in PASSIVE-SAFE. Mercedes-Benz has been a pioneer in this field from the outset. For example it introduced the first three-point static seat belt in 1968.

The S-Class of today meanwhile is equipped with eight airbags, including two windowbags whose protection zone covers virtually the entire area of the side windows. A lot of development work has also gone into the deployment sensors for the front airbags. For example if the seat occupancy sensor ascertains that the front passenger seat is unoccupied, the front passenger airbag and the sidebag and belt tensioner on that side of the vehicle are not activated.

This area – namely adapting the performance of the restraint systems to the actual accident scenario – is one of many in which the S-Class is setting trends on the safety front. For example the sidebags and windowbags in the S-Class feature a deployment technology new to Mercedes-Benz passenger cars: pressure sensors. If the passenger compartment deforms due to an accident, the increase in air pressure between the body panels and the interior of the door is registered by the pressure sensors and the ARCADE control system triggers the sidebags if necessary.

And as well as protecting the S-Class's own occupants, PASSIVE-SAFE also protects other road users, for example by means of smooth, yielding body surfaces.

## Even at this late stage, you can still rely on the S-Class

POST-SAFE – reduces the secondary effects of an accident

Over on the right, you'll see examples of various S-Class features which are designed to protect the S-Class's passengers even after an accident. POST-SAFE comprises all the features which help to reduce the secondary effects of an accident and to help with occupant rescue.

If necessary, the engine can be turned off automatically and the fuel supply can be cut off. The hazard warning lights and emergency interior lights can be automatically activated, and the side windows can be partially lowered if necessary.

Various precautions have been taken to assist the work of the rescue team. For example the doors can unlock automatically after an accident. Crash joints between the wing and door speed rescue work by allowing the doors to be opened more easily after a frontal collision. Cutting points are marked on the front and rear windscreen to guide rescuers if they need to cut through the A and C-pillar. To further assist emergency services, Mercedes-Benz has also published multilingual rescue guidelines which can be accessed worldwide on the internet.









# Dynamism

## It's rare for power to feel this smooth

Discover the true meaning of refinement – with the new-generation engines in the S-Class

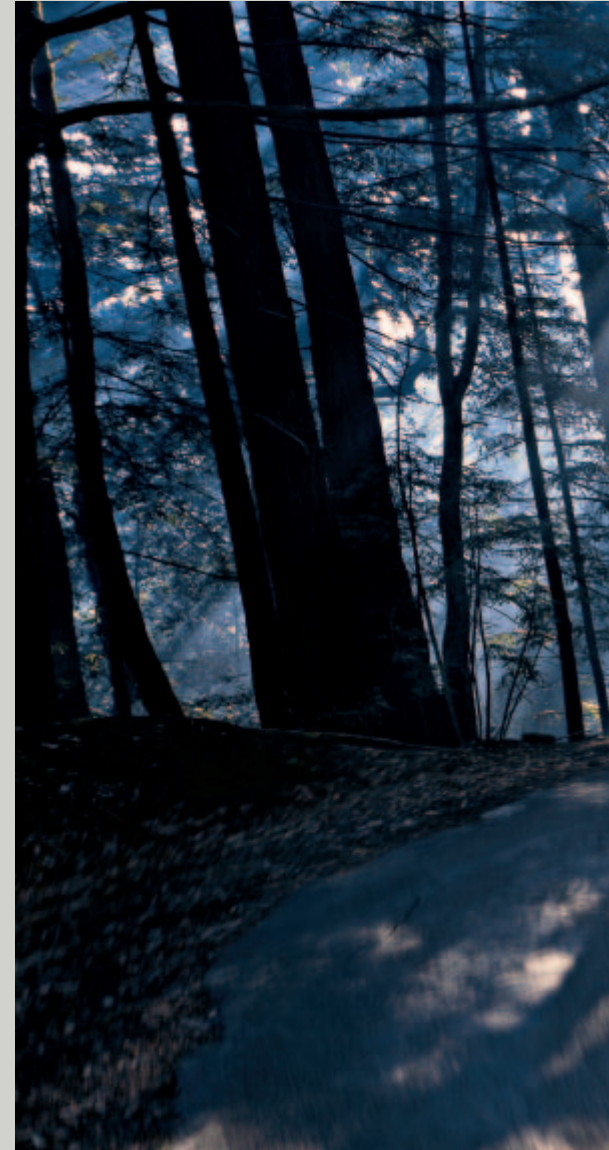
1883. It all started with a lot of noise in a darkened outhouse. When Gottlieb Daimler and his friend Wilhelm Maybach developed the first high-speed petrol engine in the greenhouse of Daimler's villa in Cannstatt, it was all a rather secretive affair – after all, the duo were intent on being the first to develop an engine small enough to fit into a carriage. Finally, after three years work, they were able to mount it on a bicycle and Daimler took it on its first test run. Now everyone knew what had been going on in his garden workshop!

2005. Gottlieb Daimler and Wilhelm Maybach have long since secured their place in history as inventors of the automobile. And their pioneering inventive spirit still lives on at Mercedes-Benz – for example every time our engineers develop a new engine. Developing new engines is always a challenge. As well as maximising power, it is also important to improve emissions and fuel consumption. That might sound like an impossible task – but not to our engineers.



### The world's first motorcycle

The first engine that Daimler and Maybach built was still too big for the application they had in mind. The next one however, whose appearance caused it to be nicknamed the "grandfather clock", was suitable for installation in a vehicle – albeit not a car, but the first motorcycle in the world. That said, with its wooden frame, 0.5 hp engine and iron-hooped wheels, this first motorcycle didn't have much in common with its counterparts of today







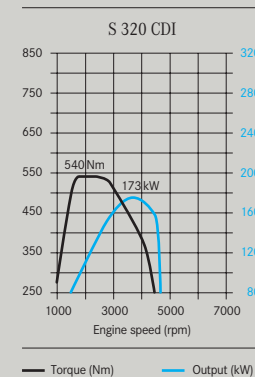


## Smooth and powerful: 540 newton metres of torque from a mere 1600 rpm

### The S 320 CDI

The S 320 CDI sets new standards in diesel technology with third-generation common-rail direct injection. The maximum pulling power of 540 newton metres is on tap from a mere 1600 rpm, producing torque characteristics which are unprecedented in this displacement class – plus an output of 173 kW (235 hp). Six cylinders and a countershaft ensure an exceptionally smooth ride.

The design is also focused on minimising weight, something you'll notice above all when it comes to consumption, which averages out at 8.3–8.5 litres per 100 km (combined). It goes without saying that the S 320 CDI complies with the EU4 exhaust gas limits. The standard particulate filter ensures further significant reductions in particulate emissions.



### S 320 CDI

With its broad engine speed band the S 320 CDI offers plenty of power reserves in all driving situations

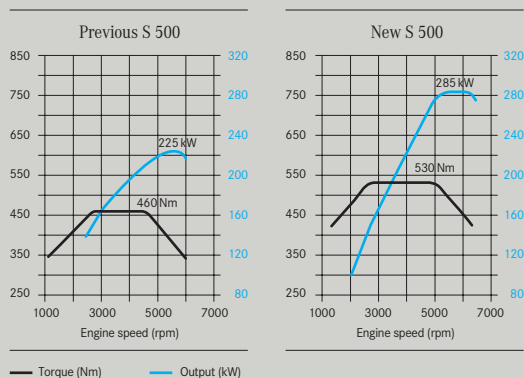
## One way to get more power out of an engine is to put more air in

The new-generation V engines: over 25 % more power

Making its debut in the S 500 is a beefy new V8 engine which develops maximum power of 285 kW (388 hp) and maximum torque of 530 Nm. The increased performance over the previous V8 is startling. The development engineers analysed the airflow to and from the cylinders using sensors in the intake and exhaust ports. On the basis of the results they were then able to optimise the shape of the ports and, by extension, the airflow, resulting in an impressive increase in output while at the same time keeping down emissions.

For smoother power delivery, the V8 is now equipped with four valves per cylinder. Variable camshafts and the use of lightweight materials such as magnesium result in optimised power output and thus reduced fuel consumption.

All these technical refinements have also been incorporated in the V6, which develops maximum power of 200 kW (272 hp) and maximum torque of 350 Nm in the S 350 and combines this with good fuel consumption. The S 350 has a combined fuel consumption of 10.1 – 10.3 litres per 100 km. Combined fuel consumption for the S 500 is 11.7 – 11.9 litres.



Evolution of the S 500  
70 Nm more torque and  
60 kW (82 hp) more power



## This automatic transmission has seven speeds. But don't expect them to draw attention to themselves

7G-TRONIC – a smooth operator that also cuts fuel consumption

The S-Class is equipped as standard with the 7G-TRONIC 7-speed automatic transmission (not available for the S 600). The close-ratio seven-speed design means that gear changes are virtually imperceptible. The seven ratios also have the effect of reducing average engine speeds, which in turn reduces fuel consumption by up to 0.7 litres per 100 km. 7G-TRONIC is operated by means of the DIRECT SELECT steering-column gear selector.

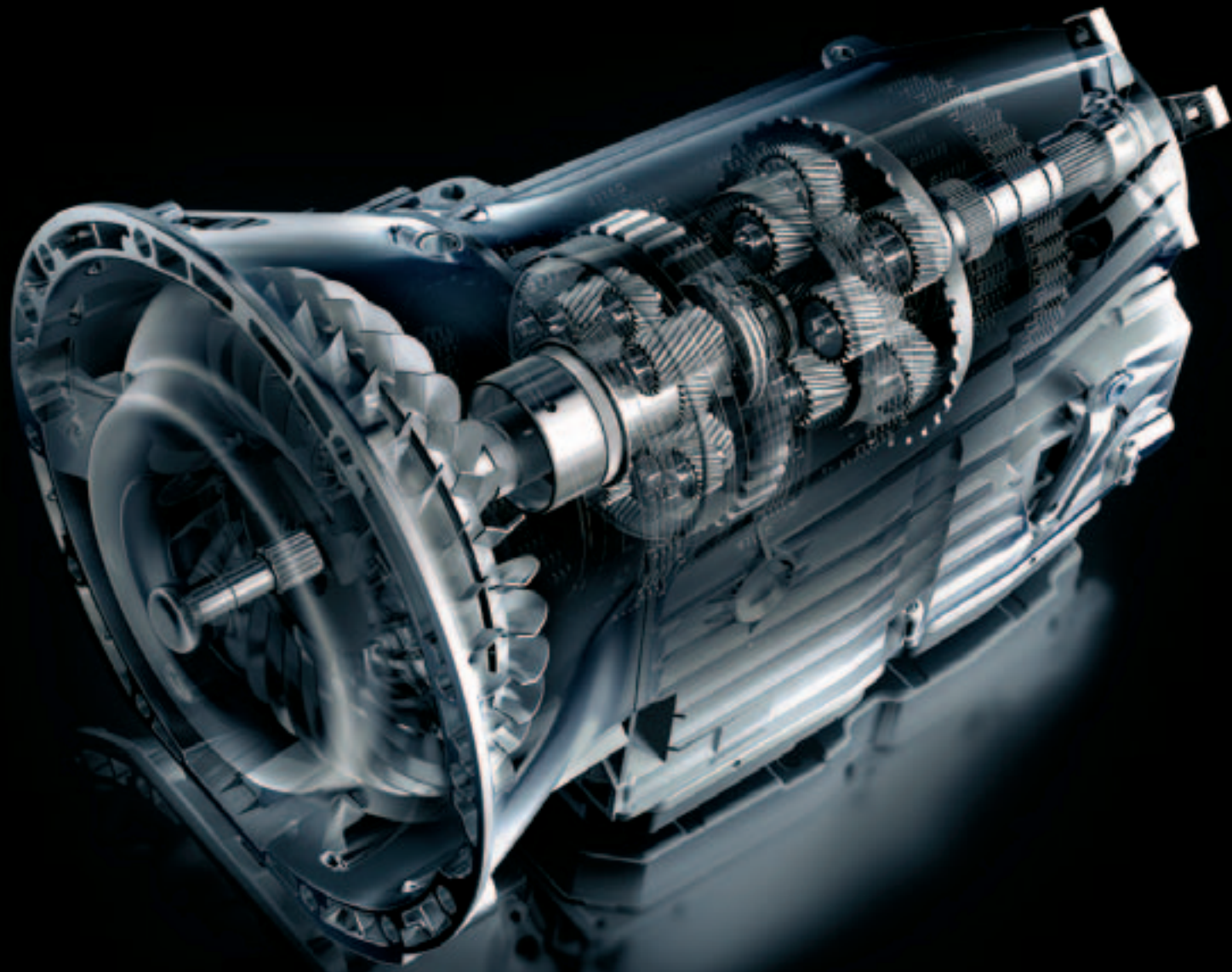
A mode selector switch also allows you to choose between three different modes: Comfort, Sport and Manual. In Manual mode, you change gear using the DIRECT SELECT steering-wheel gear-shift buttons. In Comfort mode, the transmission shifts up sooner and a more comfortable suspension setting is adopted. The Sport mode meanwhile offers a more dynamic suspension setting, while upshifts occur at higher rpm.

### Transmission modes

A completely different driving experience at the touch of a button.

The set-up switch, marked S/M/C, controls both transmission mode and suspension setting





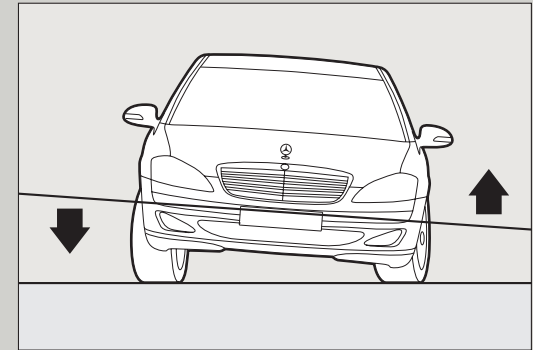


## With this suspension technology, good roads come as standard

AIRMATIC and ABC – active suspension technology for even greater comfort and dynamism

The S-Class is supplied either with further improved AIRMATIC air suspension or with the optional ABC (Active Body Control) active suspension system, both of which provide a high standard of ride comfort. In both cases however, the relaxed ride is combined with sporty handling.

The new AIRMATIC now provides even greater comfort and agility, while on ABC-equipped vehicles, high-pressure hydraulic servos, sophisticated sensing systems and high-performance microprocessors adapt the suspension with split-second speed to changes in road conditions. Body movements are significantly reduced when starting from rest and braking, and body roll is counteracted when cornering.



### ABC

ABC suspension reduces pitch and roll, thanks to the interaction of the hydraulics, springs and dampers. The speed-sensitive self-levelling suspension lowers the vehicle by up to 15 mm from 65 km/h – ensuring even more dynamic driving







# Comfort

## Make your life a bed of ease – in the S-Class

S-Class comfort – a benchmark in the luxury class

1893. “Victoria!” Karl Benz is said to have burst out upon inventing his double-pivot steering system. The new steering system brought improved comfort and quickly established four-wheel motor cars as the norm. From then on, Karl Benz only built four-wheel vehicles, and whilst these still reminded one of horse-drawn carriages, they already anticipated the development of the modern automobile. The first Benz Victoria, a single-cylinder 3-hp vehicle, also featured another innovation which made it a very comfortable means of transportation: it sported solid rubber tyres rather than the previous cast-iron wheels. Even at this early stage in the history of the automobile, Karl Benz was already showing a keen interest in ride comfort.

2005. From the moment the door closes behind you, the S-Class is like a home from home. Features like fine-quality leather upholstery or select wood trim allow the S-Class to meet even the highest expectations. The experience continues with a variety of ingenious technical refinements which help to make driving the S-Class as enjoyable as possible. They include the optional dynamic multicontour seats, which make cornering an experience to look forward to. Or the further improved COMAND system, whose excellent ergonomic design makes it simple and straightforward to operate. A few quick instructions to COMAND and the S-Class adapts precisely to your needs, without ever distracting you from the traffic.





## The best reason for looking forward to business trips

The long-wheelbase S-Class – every amenity for travelling and working

Take a seat in the long-wheelbase version and enjoy the ultimate S-Class experience. With ten centimetres more legroom at the rear, this S-Class provides exceptional comfort.

Whatever your destination, in the long S-Class the journey itself is a pleasure. Even if you're using the S-Class as an office. Options include manually adjustable tables and a rear-seat entertainment system (available for all S-Class models) which comprises two displays integrated in the head restraints, a DVD player, headphone jacks, AUX connections and a rear control panel. So you can listen to music or hear the latest news – wherever you happen to be.

Further important comfort features include the standard leather upholstery and the electrically adjustable and heated front and rear seats. Or the standard tilting/sliding sunroof and the full-size rear roller blind, both of which open and close at the press of a button. Have a good trip!







## Without even taking your measurements, we've developed a seat which will fit you perfectly

The multicontour seat – individually adjustable for maximum seating comfort

To make even the longest journey in the S-Class an experience to savour, we've made further improvements to the optional multicontour seats. In addition to the air chambers in the lumbar region of the backrest, you can now also adjust the shoulder region of the backrest, along with the side bolsters, to make the seat fit you like a glove. The individual zones can be precisely adjusted using the COMAND system.

The multicontour seats also feature the PRE-SAFE® positioning system. This means that if a critical situation is detected, not only are the seats automatically adjusted to an upright position, but the air chambers are inflated as well, thus keeping you firmly secured.

The optional dynamic multicontour seat takes things further still. In addition to offering individual adjustment, this seat also features dynamic side bolsters on the seat cushion as well as now also on the backrest which inflate and deflate automatically under cornering, keeping you cosseted even on the twistiest roads. To top this off, optional luxury head restraints can be supplied which are not only adjustable for height and angle but also feature individually adjustable side bolsters.

Are you sitting comfortably? Then you can begin to enjoy the massage function, with its seven massage chambers and four different programme settings. The massage function generates a rolling movement which keeps the back muscles continuously stimulated. Rear passengers too can enjoy a massage if the optional multicontour rear seats with massage function are specified.





## 18 different climate control settings have all had one aim: comfort for you and your passengers

Automatic climate control systems – the right solution for every climate zone

The “Grand Mercedes” 600 model, which came out in 1963, included the world’s first fully featured automatic climate control system. With this system the company quickly made its name as a pioneer in the area of comfort and convenience. Carrying on this same tradition, a further improved automatic climate control system maintains ideal temperatures in the new S-Class.

As before, different temperatures can be selected for each of the four seats. Now however, three new automatically controlled ventilation modes have been added, which can be selected to suit individual requirements.

If you like it cool but are sensitive to draughts then you can choose the “diffuse” setting. More powerful ventilation is provided in “medium” mode, while the “concentrated” mode directs the airflow to specific areas of the interior.

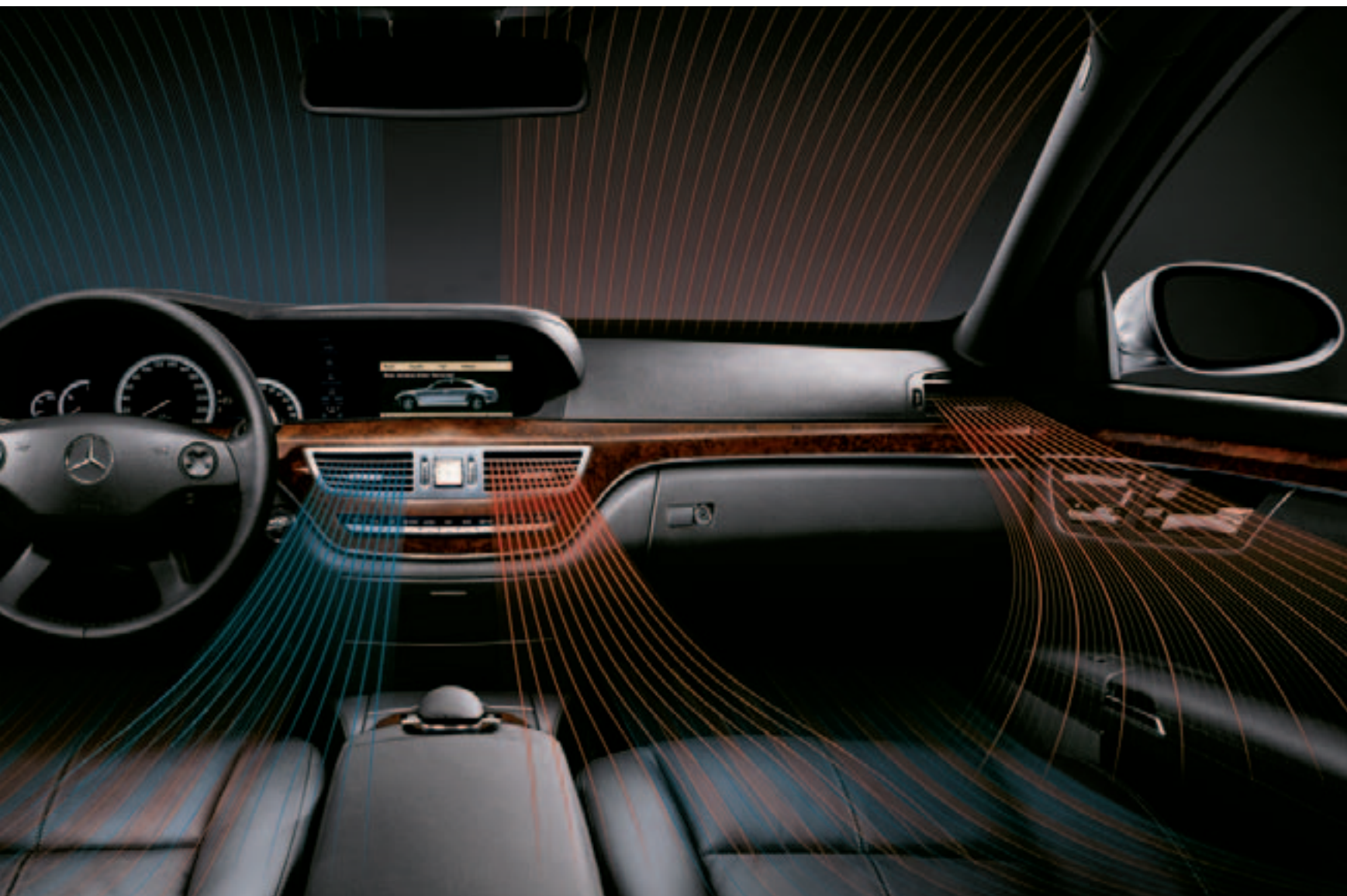
The footwells can be adjusted to a temperature which is two steps warmer or cooler than the temperature in the rest of the vehicle interior. And the temperature and blower speed for the driver’s and front passenger’s zones can be controlled separately. It is also possible to adopt the driver’s setting for the whole of the passenger compartment.

Seven sensors distributed throughout the passenger compartment maintain the selected temperatures. They continuously monitor actual temperatures and make adjustments if there is any deviation from the desired values.

### Automatic climate control

The new automatic climate control system gives you even greater control over how the air is distributed. A total of 21 air outlets allow every passenger to have exactly the temperature he or she wants





## To take the comfort and convenience of the S-Class even further, COMAND is now mounted directly in your line of view

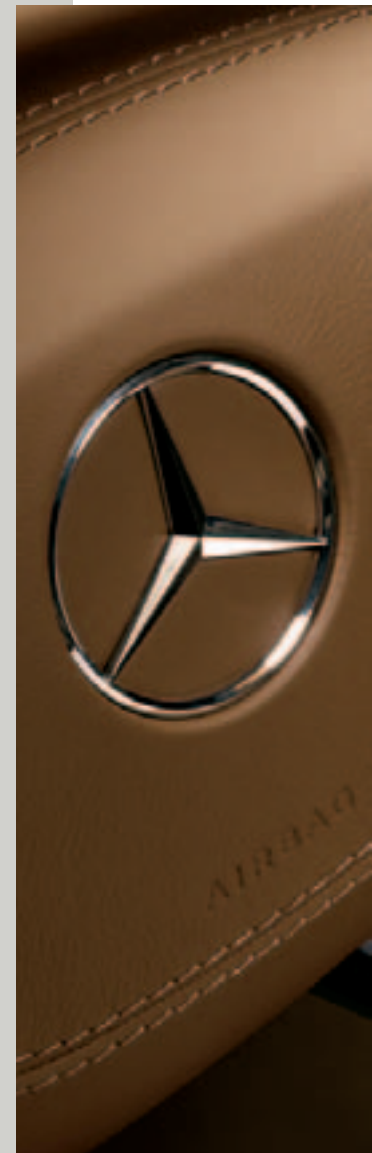
The COMAND system – see exactly what you're doing

For the new S-Class, we have further improved the COMAND system and taken its excellent ergonomics to new levels. The COMAND controller and the COMAND function buttons are situated close to hand on the centre console, while all the relevant information about the functions you are currently adjusting appears on the COMAND display. This high-resolution eight-inch TFT colour display has now been moved to a position more directly in the driver's line of view – so you can always see exactly what you're doing.

The COMAND controller is the system's central communication interface. It allows you to access the COMAND menus; you can navigate the menus by moving the controller and confirm your selections by pressing it down. Frequently used functions can be controlled using the COMAND function buttons. These buttons provide quick access to the radio/DVD/CD functions and the telephone and navigation system. There is also a "favourite" button to which you can assign the function you use most frequently. This is just one more example of how the S-Class can be personalised to your individual needs.



COMAND display  
The COMAND display is positioned next to the instrument cluster, directly in the driver's line of view







## Keeping track – especially of the traffic

Instrument cluster – at-a-glance monitoring of important information

Many of the most important functions in the S-Class can be accessed without you even having to take your hands off the wheel, thanks to the multifunction steering wheel and the eight-inch multifunction instrument cluster.

To make things even easier, the same logic is used to access both the instrument cluster and the COMAND menus. A further parallel is

the menu used, which is analogous to that in the COMAND system. This facilitates fast and accurate navigation. The left-hand steering-wheel button is used to scroll through the menu. The right-hand button is used to answer incoming telephone calls or to turn the volume up or down. Accessing information whilst continuing to concentrate on driving can be that easy.

## Now even the smallest parking space seems bigger

The reversing camera – for convenient parking

Reverse manoeuvring? Parking in a small gap at the kerb?

In the past, you were assisted by PARKTRONIC, which used optical and acoustic signals to warn you of any obstacles. Now, the optionally available reversing camera makes parallel and reverse parking much easier. The reversing camera is mounted in the handle of the boot lid and is activated automatically when you engage reverse gear. The camera projects a black-and-white video image of the area behind your vehicle onto the COMAND display.

Furthermore, lines superimposed on the display help you select the correct steering angle, give you information about the width of the vehicle and lines showing the track the vehicle will follow based on straight-line reversing and reversing with the current steering angle. The reversing camera thus not only makes parking easier, it also provides increased safety whilst reversing.







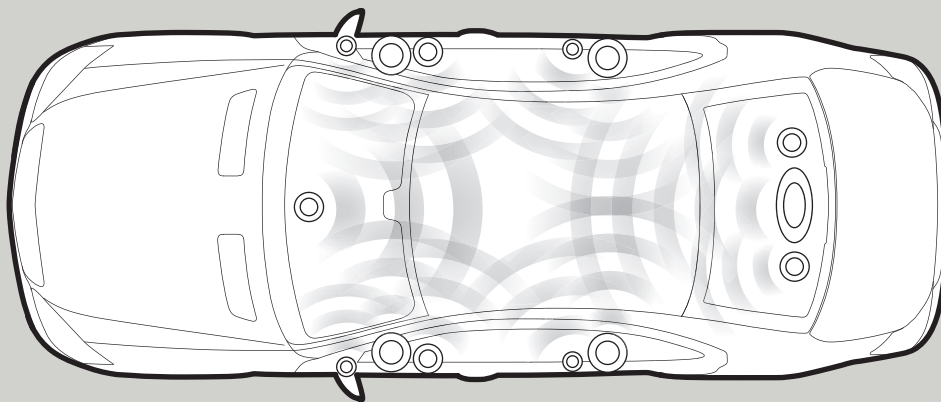
## Musicians may get jealous

harman/kardon LOGIC7® DTS, Dolby Digital 5.1 – the mobile concert hall

The optional harman/kardon LOGIC7® surround sound system for the S-Class offers a new dimension in listening pleasure, allowing you to recreate a concert-hall experience at the press of a button.

The superb sound quality is due to a 600-watt 13-channel DSP amplifier which powers 14 strategically positioned high-performance loudspeakers. Aided by Dolby Digital 5.1, these provide a full three-dimensional sound experience for every seat on board.

A world first: the surround sound system also features fully digital DVD-Audio and DTS (Digital Theatre System) sound processing. The Digital Theatre System is also used in state-of-the-art cinemas. The processor controls the optimum reproduction of soundtracks and effects in such a way as to bring out the full dynamic range and the most subtle nuances.



LOGIC7® technology  
LOGIC7® and strategically  
positioned speakers allow you  
to hear the music exactly as  
the sound engineer intended



50%  
PRELIMINARY



ESP

off



Navi Audio Tel Video Vehicle

00000  
-90.5 96.5 -101.5 -104.5 -105.1

Radio Presets FM Sound  
19°C 1x AC OFF 1x 19°C







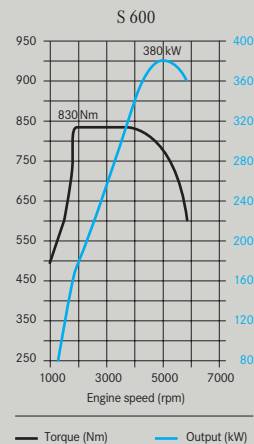
# THE S 600

## The V 12, where power meets passion. The result: 830 newton metres

The V12 biturbo engine in the S 600

At Mercedes-Benz engine design is something we are passionate about. Our Development department still lives by Gottlieb Daimler's motto: "The best or nothing!". Which explains why the jewel in our range, the V12 biturbo engine, has undergone further refinement. With its 830 newton metres of torque, the V12 delivers power reserves in every situation. The S 600's acceleration figures are on a par with a sports car, reaching the 100 km/h mark in 4.6 seconds. The 60-degree cylinder arrangement ensures an optimum power balance.

The engine achieves its output of 380 kW (517 hp) thanks to the combination of two exhaust gas turbochargers and charge-air cooling. This synthesis of cutting-edge engine technology ensures the 12-cylinder's outstanding response, maximum torque at the lowest possible engine speed and lower consumption too. The dynamism is underlined by visual refinements such as the 18-inch light-alloy wheels, with their V12 design, and the exposed tailpipes.



### The S 600

The two exhaust gas turbochargers and the charge-air cooling in the S 600 ensure an optimum response and maximum torque at low engine speeds





## True greatness always reveals itself in the details

### The equipment for the S 600

The standard equipment for the S 600 leaves very little to be desired. On board the S-Class you are surrounded by EXCLUSIVE PASSION Leather. This fine leather not only trims the dynamic multicontour front seats, the multicontour rear seats with massage function and the doors but the centre console and dashboard too. The roof lining and the A, B and C-pillars are trimmed in coordinating Alcantara, and the doors, dashboard, armrest and steering wheel feature classic burr walnut trim.

Your journey begins with KEYLESS-GO. For relaxed night-time driving, you can switch the ambient lighting to your preferred setting. And the outstanding sound from the harman/kardon LOGIC7® surround sound system makes every trip a joy.

When driving you are supported by various features, including the COMAND APS hard-disc-based navigation system and when you arrive at your destination you are assisted by PARKTRONIC.









My S-Class



# Equipment

## Nothing less than a baldachin would do for the Sultan of Morocco. And what about you?

Standard and optional equipment for the S-Class

1892. The first vehicle to be sold by Daimler-Motoren-Gesellschaft was a two-cylinder 2-hp Daimler model. And Daimler's first customer just happened to be the first aristocrat ever to drive an automobile with petrol-fuelled internal combustion engine: Sultan Moulay-Hassan I of Morocco. Daimler seems to have been unflustered by such eminence however. In the logbook he simply entered: "Name: Sultan, Address: Morocco." Still, he probably had his hands full arranging to supply the first optional equipment feature ever ordered for a Daimler: a velvet baldachin. Decorated with ebony wood and gold-threaded tassels, this opulent canopy was designed to provide the Sultan with welcome shade against the fierce desert sun.

2005. We don't offer baldachins any more. But we can meet virtually any other requirement you have for your S-Class. Complementing the already extensive standard equipment, our optional equipment meets even the highest expectations. It includes an electric rear windscreen roller blind or electric rear door roller blinds, which are probably actually even more convenient than the Sultan of Morocco's baldachin.







STANDARD EQUIPMENT  
(SELECTION)

7G-TRONIC 7-speed automatic transmission (not available for the S 600)
Adaptive brake lights
ADAPTIVE BRAKE with HOLD function and hill start assist
AIRMATIC (air suspension with Adaptive Damping System and all-round self-levelling suspension)
Armrests front and rear, folding, with compartment
Automatic climate control
Boot-lid with automatic closing aid
Brake Assist BAS
Calyptus wood trim
Central locking with remote control
Child locks with temporary unlocking
COMAND system, with integral radio, 8-inch colour display, DVD drive and PCMCIA slot
Continuously variable doorhold system
Cruise control with SPEEDTRONIC variable speed limiter
DIRECT SELECT gearshift with steering-wheel gearshift buttons
Driver and front passenger airbags, front and rear sidebags and windowbags
Electric parking brake with convenience release function
Electronic Stability Program ESP® including ABS and ASR
Five 3-point seat belts, front belts with automatic comfort-fit feature, height adjustment and reversible PRE-SAFE® belt tensioners, outer rear belts with automatic comfort-fit and automatic height adjustment
Front passenger seat adjustable from driver's seat

Front seats with lumbar supports and electric adjustment for height and longitudinal position, front passenger seat with PRE-SAFE® positioning function
Green-tinted glass
Headlamp Assist
Heated front seats (standard for S 500/S 600)
Leather upholstery (standard for S 500)
LED direction indicators in exterior mirrors
Light-alloy wheels (with special design for S500)
Locator lighting with headlamp switch-off delay
Memory package (driver's seat, steering wheel, mirrors) (standard for S 500/S 600)
Metallic paint finish (standard for S 500/S 600)
Multifunction steering wheel
Power windows front and rear with PRE-SAFE® closing function
Power-adjustable steering column
Spectacles compartment in overhead control panel
Speed-sensitive power steering
Steering wheel moves up automatically for easier entry and exit
Tinted, noise-reducing and infrared-reflecting laminated glass all round (standard for S 500/S 600)
TIREFIT tyre sealant with electric air pump
Two-stage rain sensor
Tyre pressure loss warning system
Umbrella holder, luggage hooks and luggage nets in boot
Vanity mirrors front and rear, illuminated

ADDITIONAL STANDARD EQUIPMENT  
FOR LONG VERSION

Electric tilting/sliding glass sunroof with PRE-SAFE® closing function
Front passenger seat adjustable from rear
Heated front/rear seats
Leather upholstery
Rear bench seat with electrically adjustable outer seats; bench seat and outer head restraints with PRE-SAFE® positioning system
Rear windscreen roller blind

ADDITIONAL STANDARD EQUIPMENT FOR  
S 600 (SELECTION)

Active Body Control ABC
Ambient lighting
Bi-xenon headlamps with Active Light System and cornering light function
Burr walnut trim, high-gloss
COMAND APS with hard-disc navigation system
Dynamic multicontour front seats with PRE-SAFE® positioning function
EXCLUSIVE PASSION Leather
harman/kardon LOGIC7® surround sound system DTS, Dolby Digital 5.1, 14 loudspeakers, 600 W
KEYLESS-GO
Light-alloy wheels, 18-inch, V12-design
Luxury head restraints front and rear
Luxury seats front and rear
Multicontour rear seats with massage function, with PRE-SAFE® positioning function
Wood/leather steering wheel

## When less means more

The panoramic sunroof – redefining the meaning of “panoramic”

If you want to create an even more spacious feel in the S-Class, the simplest solution is probably to opt for the panoramic sliding roof. Optionally available for the long version of the S-Class, this feature not only allows you to see more of the outside world, it also adds a new dimension to the sense of space inside.

The panoramic sunroof is electrically powered and convenient to operate. It can be tilted up like a normal sunroof, or, if you want even more fresh air, the front part can be slid back at the press of a button. Simultaneously, a wind deflector pops up to prevent turbulence – not just for the passengers in front but also for those at the rear.

To provide protection against strong sunlight, two separately adjustable electrically powered roof blinds can be drawn across the roof.











## Easy on the eye

Ambient lighting – tasteful nighttime illumination

Ambient lighting is a new concept in interior lighting from Mercedes-Benz. As well as highlighting the attractive interior design, it also makes the occupants feel comfortable and at ease when travelling at night.

A narrow LED-powered band of light runs along the wood trim strips on all four doors and the dashboard. Ambient lighting creates a special lighting mood, making the interior seem larger but also more cosy. The lighting can remain on throughout the journey, without interfering with the driver's view.

Using COMAND, five brightness settings can be selected to meet your personal preferences. The ambient lighting also comes on to greet you on entering the car. When the doors are opened, the light strip lights up on its brightest setting, then dims to the selected level when the doors are closed.



Tilting/sliding glass sunroof, electric, with PRE-SAFE® closing function



Rear door roller blinds, electric



Rear windscreen roller blind, electric



KEYLESS-GO

<i>SELECTION</i>	S 320 CDI	S 320 CDI long	S 350	S 350 long	S 500	S 500 long	S 600
6-disc DVD changer	●	●	●	●	●	●	□
Active Body Control ABC	-	-	-	-	●	●	□
Ambient lighting	●	●	●	●	●	●	□
Anti-theft alarm system with tow-away protection and interior monitoring	●	●	●	●	●	●	□
Auxiliary heater with remote control (including heated windscreen washer system)	●	●	●	●	●	●	●
Bi-xenon headlamps with Active Light System and cornering light function	●	●	●	●	●	●	□
Closing aid for doors	●	●	●	●	●	●	□
COMAND APS hard-disc-drive navigation system	●	●	●	●	●	●	□
DISTRONIC PLUS proximity control including Brake Assist BAS PLUS and Parking Assist	●	●	●	●	●	●	●
Double cup holder, front	●	●	●	●	●	●	●
Dynamic multicontour front seats with massage function and PRE-SAFE® positioning function	●	●	●	●	●	●	□
Folding table in rear, manual, integrated in back of driver's seat	-	●	-	●	-	●	●
Folding table in rear, manual, integrated in back of front passenger seat	-	●	-	●	-	●	●
Garage-door opener in interior mirror	●	●	●	●	●	●	□
Heated steering wheel	●	●	●	●	●	●	●
Individual rear seats	-	●	-	●	-	●	●
KEYLESS-GO	●	●	●	●	●	●	□
Luxury front head restraints	●	●	●	●	●	●	□

● Optional    □ Standard    - Not available

SELECTION	S 320 CDI	S 320 CDI long	S 350	S 350 long	S 500	S 500 long	S 600
Luxury front seats (heated and ventilated, perforated leather)	●	●	●	●	●	●	□
Luxury rear head restraints (outer seats)	●	●	●	●	●	●	□
Luxury rear seats (heated and ventilated, perforated leather)	●	●	●	●	●	●	□
Memory function for rear seats	●	●	●	●	●	●	●
Memory package for front seats, steering column and exterior mirrors (right with parking posit.)	●	●	●	●	□	□	□
Mobile phone with universal interface, including hands-free system and aerial	●	●	●	●	●	●	□
Multicontour front seats with PRE-SAFE® positioning function	●	●	●	●	●	●	-
Multicontour rear seats with massage function and PRE-SAFE® positioning function	●	●	●	●	●	●	□
Night view assist, including heat/noise-insulated, infrared-reflecting front windscreen	●	●	●	●	●	●	●
Refrigerated compartment in rear backrest	●	●	●	●	●	●	●
Panoramic sunroof, electric	-	●	-	●	-	●	●
PARKTRONIC	●	●	●	●	●	●	□

● Optional    □ Standard    - Not available

Rear-seat entertainment system



Pre-installation for telephone, with keypad



<i>SELECTION</i>	S 320 CDI		S 320 CDI long		S 350		S 350 long		S 500		S 500 long		S 600
Rear air conditioning	●	●	●	●	●	●	●	●	●	●	●	●	●
Rear bench seat with electrically adjustable outer seats and PRE-SAFE® positioning function	●	□	●	□	●	□	●	□	●	□	●	□	□
Rear door roller blinds, electric	●	●	●	●	●	●	●	●	●	●	●	●	●
Rear-seat entertainment system	●	●	●	●	●	●	●	●	●	●	●	●	●
Rear windscreen roller blind, electric	●	□	●	□	●	□	●	□	●	□	●	□	□
Remote boot-lid closing	●	●	●	●	●	●	●	●	●	●	●	●	□
Reversing camera	●	●	●	●	●	●	●	●	●	●	●	●	●
Ski bag	●	●	●	●	●	●	●	●	●	●	●	●	●
Surround sound system harman/kardon LOGIC7® DTS, Dolby Digital 5.1, 14 loudspeakers, 600 W	●	●	●	●	●	●	●	●	●	●	●	●	□
Tilting/sliding glass sunroof, electric, with PRE-SAFE® closing function	●	□	●	□	●	□	●	□	●	□	●	□	□
TV tuner (for analogue and digital TV reception)	●	●	●	●	●	●	●	●	●	●	●	●	●
Tyre pressure monitoring system	●	●	●	●	●	●	●	●	●	●	●	●	●
Wood/leather steering wheel	●	●	●	●	●	●	●	●	●	●	●	●	□

Tyre pressure monitoring system



Folding table (manual)





## Individuality to the power of five

The light-alloy wheels for the S-Class

Which light-alloy wheels you choose for your S-Class will be a matter of personal taste. The range includes the optional high-sheen 19-inch 5-spoke AMG wheels and sterling silver-painted 20-inch 5-spoke AMG wheels. 17-inch 7-spoke wheels (standard on the S 350) and 17-inch 5-spoke wheels (standard on the S 500) are also available. Alternatively, you can also opt for 18-inch 9-spoke wheels or the even more imposing 19-inch multi-spoke wheels (both optionally available for all models).

19-inch 5-spoke AMG alloy wheels



17-inch 7-spoke light-alloy wheels



17-inch 5-spoke light-alloy wheels



18-inch 9-spoke light-alloy wheels



19-inch multi-spoke light-alloy wheels





## Genuine accessories

### Express your style

#### Exclusive selection

The light-alloy wheels from the range of Mercedes-Benz genuine accessories perfectly match the whole style and tone of the S-Class – for one thing they're built to the highest quality standards. Everything else about them is up to you. Take your pick from the "Almach" 17-inch 5-twin-spoke incenio designer wheel, the "Eridanus" 18-inch 5-twin-spoke incenio designer wheel and the "Denebola" 19-inch 9-twin-spoke incenio designer wheel. These wheels express not only the character of the S-Class but also your own personal style.

Taking your favourite music with you when you're on the move has never been easier than with the Mercedes-Benz iPod Interface Kit. The special socket installed in the glove compartment connects your iPod to the S-Class's audio system. To operate the iPod during your journey, you simply use the multifunction steering wheel and the multifunction display.

The range of Mercedes-Benz genuine accessories offers you a wide selection of high-quality items to choose from. Please see our accessories brochure for further details, or contact your Mercedes-Benz dealership, who will be happy to advise you.



17-inch "Almach" 5-twin-spoke incenio designer wheel



18-inch "Eridanus" 5-twin-spoke incenio designer wheel



19-inch "Denebola" 9-twin-spoke incenio designer wheel



## How to attract attention

### AMG bodystyling for the S-Class

Who says a luxury saloon and sporty styling don't go together? If this is what you're looking for, AMG bodystyling is the answer. It comprises a powerfully styled front apron with enlarged air intakes and round fog lamps with chrome trim strips, side skirts and a striking rear apron with one chromed AMG tailpipe on each side. 19-inch high-sheen 5-spoke AMG light-alloy wheels and 20-inch 5-spoke AMG light-alloy wheels, painted in sterling silver, are optionally available to further emphasise the sporty look.



AMG bodystyling with  
20-inch 5-spoke AMG  
light-alloy wheels



## Sometimes you need contrasts to create harmony

designo – individual highlights

In addition to the variety of colours and trim parts, the designo range is characterised above all by the distinctive seat design with its ten-rib longitudinal fluting and the exclusive designo metal badge on the seat backs. Our designers have created two new equipment packages from the range: designo Edition I and designo Edition II.

designo Edition I features a colour scheme which is rich in contrasts yet harmonious – pastel yellow leather creates highlights, contrasting with the black basic equipment and the fine trim.

The eye is immediately drawn to the seats, trimmed in pastel yellow designo aniline leather. The use of this exclusive leather, with its particular smoothness and its fine-grained non-embossed surface, ensures outstanding seat comfort.

Further highlights include the armrests in the doors and the centre console in designo pastel yellow leather and black nappa leather on the back of the seats. The roof lining in anthracite Alcantara and all trim parts in glossy deep black designo piano lacquer round off the interior appointments.



designo Edition I (Code Y01)





## And sometimes classic design

designo – personal elegance

The designo Edition II equipment package envelops your S-Class in a world of subtle shades. Coordinating with the roof lining, trimmed in anthracite Alcantara, and the black basic appointments, the designo Edition II package includes armagnac-coloured seats in designo aniline leather. The eye is drawn in particular to the high-quality craftsmanship of the fine material. The backs of the seats are trimmed with black nappa leather. The painstakingly crafted wood trim elements in exclusive designo natural maple grain round off the picture to perfection. Whichever Edition you prefer, it will underline the exclusivity of your S-Class.

designo Edition II (Code Y02)









# Around one billion particles per square centimetre. That leaves no room for scratches

The S-Class's protective shield: the extra-scratch-resistant clearcoat

1934. The first "Silver Arrow" is probably the only Mercedes-Benz ever to have started out in life with less-than-perfect paintwork. When the Mercedes-Benz engineers put the newly developed W25 racing car on the scales during scrutineering before the Eifel Grand Prix at the Nürburgring in 1934, the 300-hp car turned out to weigh 751 kilograms – just one kilogram over the strict weight limit imposed by the international racing federation. "Well, that takes the shine off things", mused Mercedes racing manager Alfred Neubauer – then realised he'd just put his finger on the solution. He promptly ordered the engineers to sand down the white paintwork, thus exposing the silver-coloured aluminium bodywork. This shed the necessary weight and the rest is history: Manfred von Brauchitsch won the race and it wasn't long before the press were raving about the "Silver Arrows", as they quickly dubbed them.

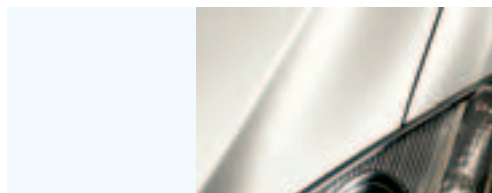
2005. Of course, things wouldn't have been so easy for the team if their car had been sporting today's latest paintwork from Mercedes-Benz. In the course of a development process lasting several years, a special paint system has been created exclusively for Mercedes-Benz which provides unrivalled resistance to scratching. Standard on the S-Class, this clearcoat is three times more scratch-resistant than previous clearcoats and thus makes a key contribution to a long-lasting and luxurious finish.

The S-Class paintwork puts the finishing touch to the carefully crafted Mercedes-Benz corrosion protection system, which includes a coating of zinc phosphate for long-lasting protection. Also, Mercedes-Benz uses only eco-friendly water-based paints, whose solvent content is up to 80 per cent lower than that of conventional paints

NON-METALLIC PAINT



040 black

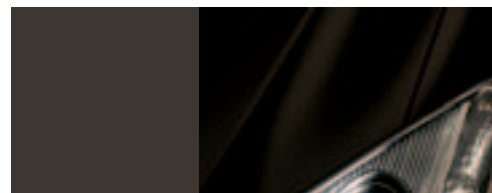


960 alabaster white

METALLIC PAINT



189 green black



197 obsidian black

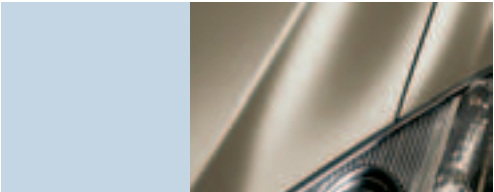


359 tanzanite blue

SPECIAL PAINT COLOUR



368 flint grey



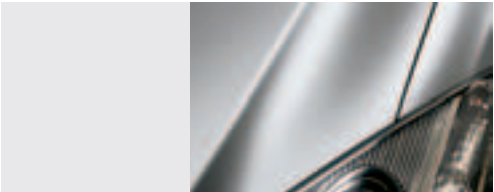
723 cubanite silver



370 andorite grey



544 carneol red



775 iridium silver



693 travertine beige



816 andradite green

# Your favourite chair's been moved – to the S-Class

S-Class leather – the feel of elegance

For the interior upholstery of your S-Class we offer carefully selected materials: leather and PASSION Leather. PASSION Leather was specially developed for the S-Class. This is an unembossed, lightly coated smooth leather, characterised above all by its natural look and soft, comfortable feel. The use of a new surface treatment has significantly improved the durability and the natural qualities of the leather, such as its ability to wick moisture away from the body and its insulating qualities. The result is significantly enhanced comfort.

PASSION Leather provides a particularly effective complement to the attractive interior décor created by our stylists. Five different colour combinations are available. And, whichever colour combination you have chosen, you can make the interior of your car even more luxurious by specifying EXCLUSIVE PASSION Leather. This option includes further PASSION Leather trim elements in the doors, the dashboard and centre console. The roof lining and the A, B and C-pillars are trimmed in Alcantara.

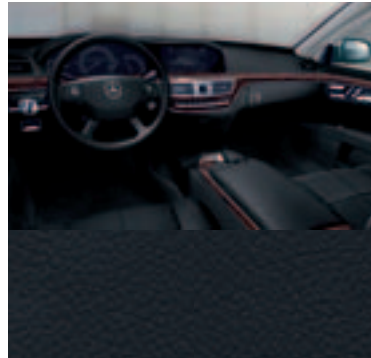
But whatever material you choose, you will always be sure of complementing and enhancing the unique style and character of your S-Class.

FABRIC

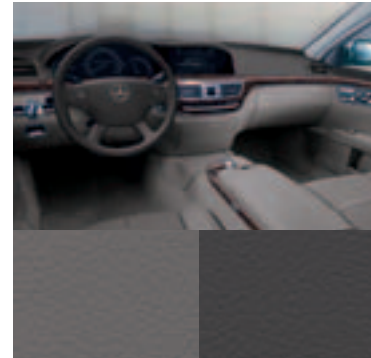


001 black

LEATHER COLOUR VARIANTS



black/black  
201 Leather  
801 PASSION Leather  
501 EXCLUSIVE PASSION Leather<sup>1</sup>



basalt grey/dark basalt grey  
208 Leather  
808 PASSION Leather  
508 EXCLUSIVE PASSION Leather<sup>1</sup>



basalt grey/black  
258 Leather  
858 PASSION Leather  
558 EXCLUSIVE PASSION Leather<sup>1</sup>



savanna beige/cashmere beige  
204 Leather  
804 PASSION Leather  
504 EXCLUSIVE PASSION Leather<sup>1</sup>



sahara beige/black  
255 Leather  
855 PASSION Leather  
555 EXCLUSIVE PASSION Leather<sup>1</sup>

<sup>1</sup>Dashboard, doors and centre console in PASSION Leather; roof lining and A, B and C-pillars in Alcantara





	<b>FABRIC</b> black	<b>LEATHER</b> black/black savanna beige/cashmere beige basalt grey/dark basalt grey sahara beige/black basalt grey/black					<b>PASSION LEATHER</b> black/black savanna beige/cashmere beige basalt grey/dark basalt grey sahara beige/black basalt grey/black					<b>EXCLUSIVE PASSION LEATHER</b> black/black savanna beige/cashmere beige basalt grey/dark basalt grey sahara beige/black basalt grey/black				
<b>NON-METALLIC PAINT</b>																
black	●	●	●	●	●	●	●	●	●	●	●	●	●	●	●	
alabaster white	●	●	○	●	△	●	●	○	●	△	●	●	○	●	△	●
<b>METALLIC PAINT</b>																
green black	●	●	●	●	●	●	●	●	●	●	●	●	●	●	●	●
obsidian black	●	●	●	●	●	●	●	●	●	●	●	●	●	●	●	●
tanzanite blue	○	○	○	●	●	●	○	○	●	●	●	○	○	●	●	●
flint grey	●	●	△	○	○	●	●	△	○	○	●	●	△	○	○	●
carneol red	●	●	○	●	●	●	●	○	●	●	●	●	○	●	●	●
travertine beige	●	●	●	△	●	△	●	●	△	●	△	●	●	△	●	△
cubanite silver	●	●	△	○	○	○	●	△	○	○	○	●	△	○	○	○
iridium silver	●	●	△	●	△	●	●	△	●	△	●	●	△	●	△	●
andradite green	●	●	●	○	●	●	●	●	○	●	●	●	●	○	●	●
<b>SPECIAL PAINT COLOUR</b>																
andorite grey	●	●	△	○	△	○	●	△	○	△	○	●	△	○	△	○

● Recommended    ○ Possible    △ Not recommended

## This is one material even our researchers can't improve on

Wood trim for the S-Class – another taste of exclusiveness

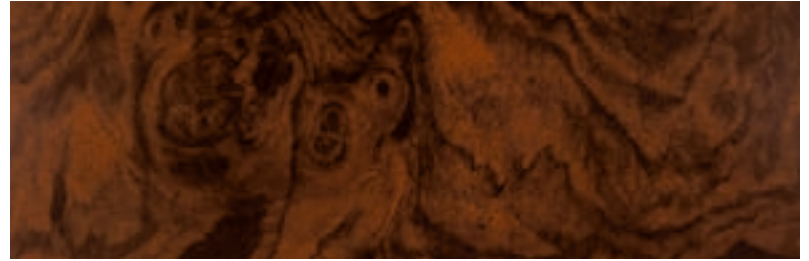
Wood is a natural product which ensures that every S-Class is both exclusive and unique. Because no two wood trim parts are ever exactly alike. That said however, they do all have one thing in common: they were all carefully selected by experts who travel all over the world looking for the best-quality raw materials. The burr walnut wood for example is imported from California.

Before the wood is ready to be fitted in one of our vehicles, our craftsmen apply their skills in numerous elaborate processing steps which turn the raw materials into a trim part worthy of the S-Class.

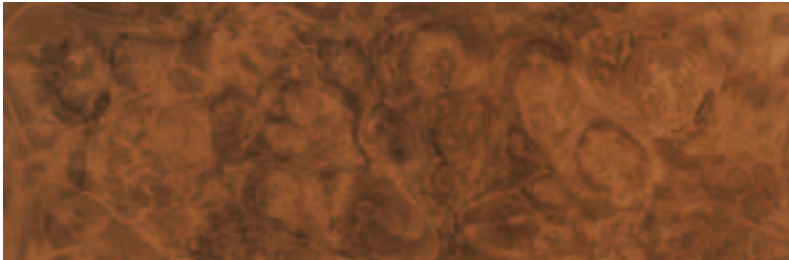




Calyptus



Dark burr walnut (high gloss)



Burr walnut (silk matt)

	<i>S 320 CDI</i>	<i>S 350</i>	<i>S 500</i>	<i>S 600</i>
No. of cylinders/arrangement	6/V	6/V	8/V	12/V
Bore/stroke (mm)	83.0/92.0	92.9/86.0	98.0/90.5	82.0/87.0
Total displacement (cc)	2987	3498	5461	5513
Rated output <sup>1</sup> (kW at rpm)	173/3600	200/6000	285/6000	380/5000
Rated torque <sup>1</sup> (Nm at rpm)	540/ 1600–2400	350/ 2400–5000	530/ 2800–4800	830/ 1800–3500
Compression ratio	17.7	10.7	10.7	9.0
Alternator (V/A)	12/220	12/180	12/180	12/220
Acceleration from 0 to 100 km/h (s)	7.5	7.3	5.4	4.6
Top speed, approx. (km/h)	250 <sup>2</sup>	250 <sup>2</sup>	250 <sup>2</sup>	250 <sup>2</sup>
Tyre size front	235/55 R17	235/55 R17	235/55 R17	255/45 R18
rear	235/55 R17	235/55 R17	235/55 R17	275/45 R18
Fuel	Diesel	Premium unleaded	Premium unleaded	Super Plus
Fuel consumption <sup>3</sup> (l/100 km)				
Urban (automatic transmission)	11.6–11.8	14.5–14.7	17.4–17.6	21.7
Extra-urban (automatic transmission)	6.4–6.6	7.7–7.9	8.5–8.7	10.0
Combined (automatic transmission)	8.3–8.5	10.1–10.3	11.7–11.9	14.3

	<i>S 320 CDI</i>	<i>S 350</i>	<i>S 500</i>	<i>S 600</i>
CO <sub>2</sub> emissions <sup>3</sup> (g/km) (automatic transmission)	220–225	242–247	279–283	340
Tank capacity (l)/including reserve, approx.	90/11	90/11	90/11	90/11
Turning circle diameter (m) (long version)	11.8 (12.2)	11.8 (12.2)	11.8 (12.2)	12.2
Boot capacity (l)	560	560	560	550
Kerb weight <sup>4</sup> (kg) (long version)	1955 (2000)	1880 (1925)	1940 (1985)	2180
Permissible gross vehicle weight (kg) (long version)	2550 (2850)	2475 (2505)	2545 (2565)	2690

<sup>1</sup>Figures in accordance with Directive 80/1269/EEC, current version

<sup>2</sup>Electronically limited

<sup>3</sup>The figures shown were obtained in accordance with the prescribed measuring process (Directive 80/1268/EEC in the currently applicable version).

The figures are not based on an individual vehicle and do not constitute part of the product offer; they are provided solely for purposes of comparisons between different vehicle models

<sup>4</sup>Figures in accordance with Directive 92/21/EC, version 95/48/EC (kerb weight with fuel tank 90% full, driver, 68 kg, and luggage, 7 kg) for standard-specification vehicles.

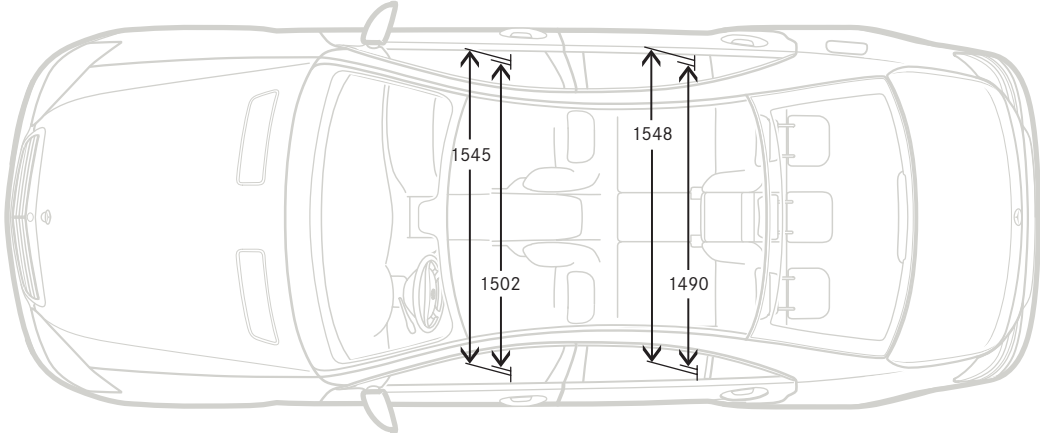
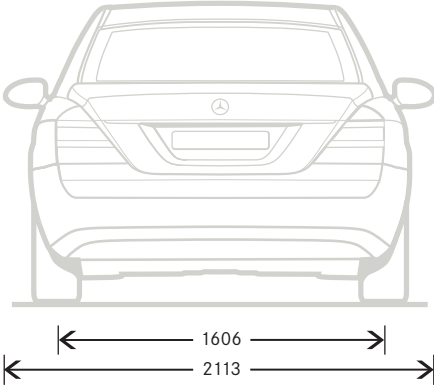
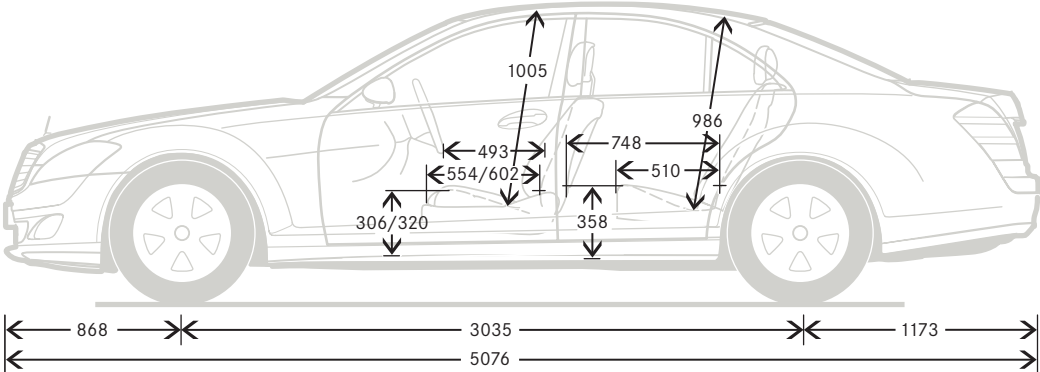
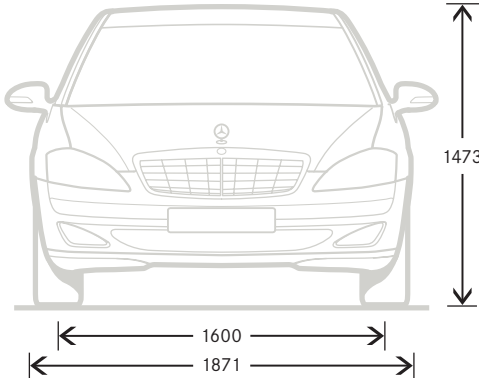
Optional extras and accessories will generally increase this figure and reduce the payload capacity accordingly



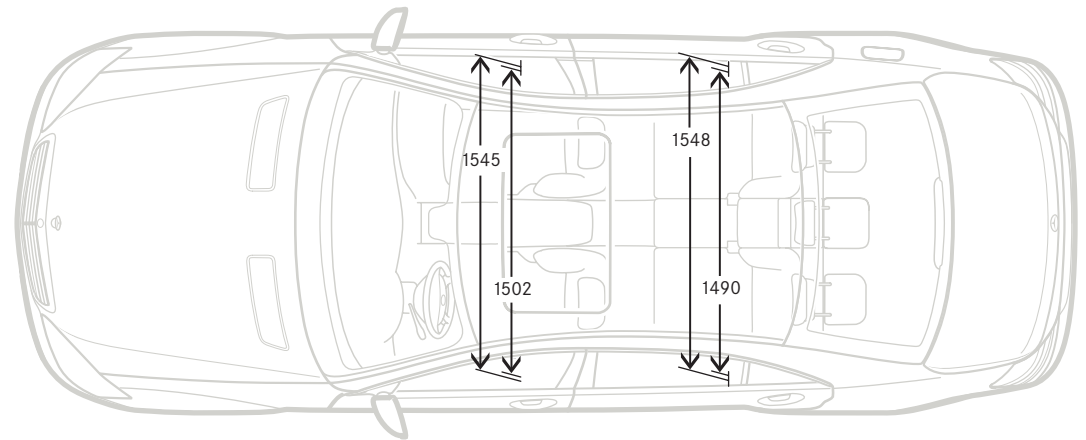
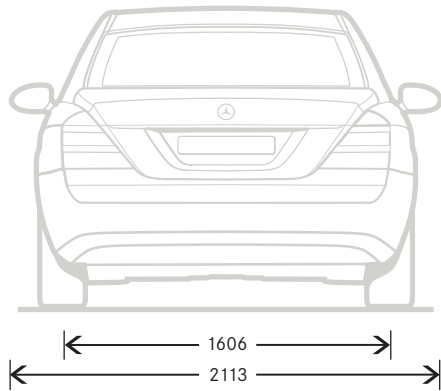
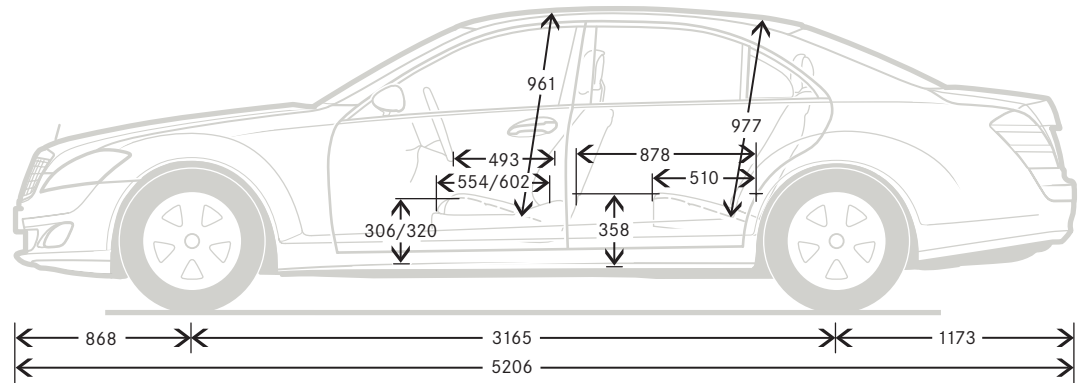
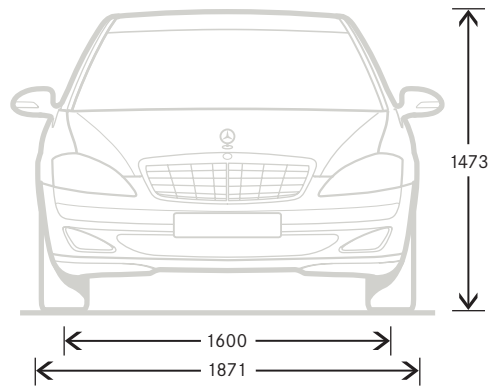




# The S-Class



## The long-wheelbase version of the S-Class





## Losing your key needn't be the end of the world – or of your weekend

Mercedes-Benz Service – roadside assistance, financial services and MercedesCard

### MobiloLife

With MobiloLife, our mobility and warranty package, you can expect years of care-free driving. Whether you have lost your key, are having problems starting the car or have had a breakdown which cannot be repaired immediately, the package ensures that you reach your destination, in almost every country in Europe. Under certain circumstances we will meet the cost of an airline ticket. But don't get too excited – it's rare for a Mercedes to break down.

Just call Mercedes-Benz on 00800 1777 7777 from almost any European terrestrial or mobile network and our team will assist you in your own language. Our staff are there around the clock, 365 days a year. MobiloLife will also help if you bring your car in for larger warranty or policy repairs. MobiloLife is valid for a period of two years after initial registration. Its validity is extended every time your vehicle is serviced at a Mercedes-Benz service centre and remains valid until the next service is due. For up to 30 years. For more information on MobiloLife, see your vehicle documents.

### Interactive Owner's Manual

Almost as good as a test drive: the Mercedes-Benz Interactive Owner's Manual. Get a "first-hand" impression of your new Mercedes even before you take delivery. The opportunity is only a point and a click away. Our website provides information clips and simulations which will give you a foretaste of the treats in store.

Check out the technical data and interior equipment – including features like the multi-function steering wheel or the COMAND APS navigation system. Everything else you can find out by visiting: [www.mercedes-benz.de/betriebsanleitung](http://www.mercedes-benz.de/betriebsanleitung)

### DaimlerChrysler Bank

If you have already set your heart on your dream Mercedes and want to remain flexible in financial terms, our leasing, financing and insurance packages could be exactly what you're looking for. The online calculator allows you to work out your monthly payments for yourself. In addition to individually geared financial services, we can also offer you tailor-made investment products. For further information, phone: 01803-32 2265 (9ct/min) or 01803-DC Bank (9 ct/min) or visit: [www.daimlerchrysler-bank.com](http://www.daimlerchrysler-bank.com)

### MercedesCard

There's a wealth of experiences to enjoy when you're not sitting at the wheel of your Mercedes-Benz. Owning a MercedesCard is all it takes. It acts as your ticket to the world of Mercedes-Benz and doubles as a practical credit card. The MercedesCard Journal contains details of a selection of sporting, cultural and travel events, put together especially for you. Information is available on 00800-62 00 3190 in Germany, 00800-55 79 84 in Switzerland and 00800-20 65 65 in Austria.











#### **Take-back of end-of-life vehicles. Coming full circle**

At the end of its long life, you can return your S-Class to us for environment-friendly disposal in accordance with the EU End-Of-Life Vehicle Directive.<sup>1</sup> But that day lies a long way off.

<sup>1</sup>Applies in accordance with national regulations to vehicles up to 3.5 t permissible gross weight. The S-Class has met the statutory regulations governing the suitability of the vehicle's design for reuse and recycling for a number of years now. A network of vehicle take-back depots and dismantlers has been established which will process your vehicle in an environment-friendly manner. The ways in which both vehicles and parts can be recovered are subject to ongoing development and improvement. Consequently, the S-Class will be able to comply with any future increases in the recycling quota within the stipulated time limits. For further information, please call 00800 1777 7777.

Please note: changes may have been made to the product since this brochure went to press (08.08.2005). The manufacturer reserves the right to make changes to the design, form, colour and specification during the delivery period, provided these changes, while taking into account the interests of the vendor, can be deemed reasonable with respect to the purchaser. Where the vendor or the manufacturer uses symbols or numbers to describe an order or the subject of an order, no rights may be derived solely from these. The illustrations may show accessories and items of optional equipment which are not part of standard specification. Colours may differ slightly from those shown in the brochure, owing to the limitations of the printing process. This brochure has been compiled by DaimlerChrysler AG of Germany and is distributed internationally. It provides a general indication of the range of models, features, optional extras and/or colours available in various countries. Some of the models, features, optional extras and/or colours may not be available in your country, or may only be available in a different specification. Additionally some models, features, optional extras and/or colours may only be available in combination with others. For current and more specific information in relation to the range of models, features, optional extras and/or colours available in your country, and their pricing, you should contact your nearest authorised Mercedes-Benz Passenger Car Dealer.