

This brochure has been compiled by DaimlerChrysler AG of Germany and is distributed internationally. It provides a general indication of the range of models, features, optional extras and/or colours available in various countries. Some of the models, features, optional extras and/or colours shown may not be available in your country or may only be available in a different specification. Additionally some models, features, optional extras and/or colours may only be available in combination with others. For current and more specific information in relation to the range of models, features, optional extras and/or colours available in your country, and their pricing, you should contact your nearest authorised Mercedes-Benz Passenger Car Dealer.



Mercedes-Benz



THE NEW GL-CLASS



Mercedes-Benz





Exclusivity is best savoured in company


The GL-Class offers first-class travel, on and off-road

The GL-Class is a luxurious, generously proportioned cross-country vehicle, which has plenty to offer, whether you're on your way to a board meeting or a weekend in the country.

With its V6 and V8 engines, the 7G-TRONIC automatic transmission, the individually adjustable AIRMATIC air suspension, its masculine design and its generously proportioned interior, which offers room for up to seven on board, it is a match for any task.

As you can see, this is a vehicle which is designed to meet all your needs – and those of many other car connoisseurs. In other words, you're in the best of company.

Welcome to the GL-Class. Welcome to the club.



New strength
The GL 500 features
one of the most powerful
V8 engines in its
displacement class



Your invitation to embark on an extraordinary journey

Smooth, quiet operation and dynamism combined: the GL-Class engines

Welcome on board. We've reserved the best seat of all for you: the one behind the wheel.

Now comes the big moment: pulling away for the first time. The GL 320 CDI is powered by a muscular V6 diesel engine featuring common-rail direct injection via piezo injectors. Its dynamic yet well-harnessed 165 kW (224 hp) is delivered at a torque of 510 Nm. The GL 420 CDI features a newly developed V8 diesel engine. 225 kW (306 hp) at a torque of 700 Nm ensures sporty headway - with pleasing consumption figures. It goes without saying that both diesel engines are fitted with a particulate filter which complies with the EU4 limits.

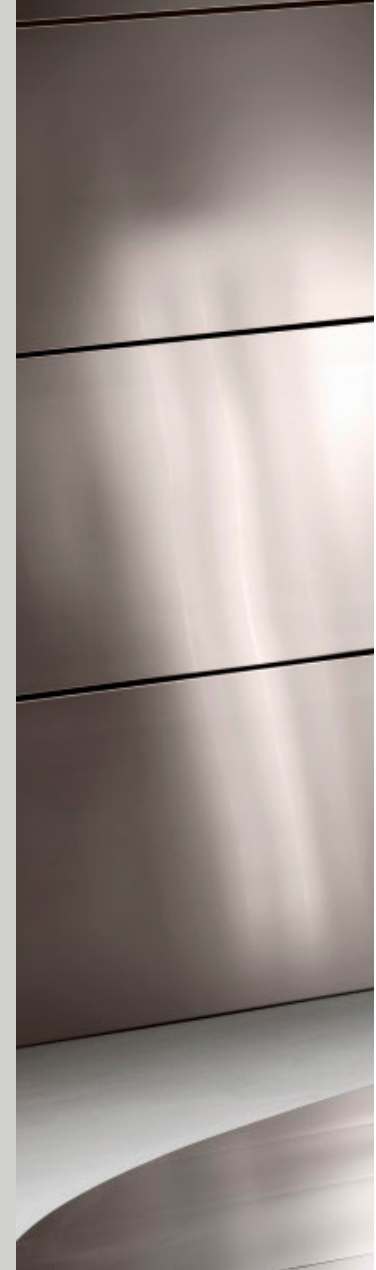
V8 petrol engines await your command in the GL 450 and GL 500. The 250-kW (340-hp) output of the GL 450 is an impressive experience. But a very special engine lies concealed beneath the bonnet of the GL 500. With its 285 kW (388 hp), it is one of the most powerful and at the same time one of the most economical engines in its displacement class. The cutting-edge lightweight design operates with special shifting camshafts which optimise the gas cycles in the engine. The discernible results are improved smoothness and quietness, and higher torque, particularly in the mid engine speed range.

Tremendous forces are at work in your car. It's good to know that they're under control

7G-TRONIC and 4MATIC all-wheel drive: comfort and safety while on the move

The great thing about a partnership is the teamwork – as the pairing of the infinitely variable 7G-TRONIC 7-speed automatic transmission and 4MATIC permanent all-wheel drive demonstrates. The aim of 7G-TRONIC is to provide the right gear for the given driving situation and your driving style at all times. The transmission offers powerful acceleration and is comfortable to use. And if you wish, you can change gear manually at the touch of a button.

4MATIC all-wheel drive helps keep you on course, even on poor surfaces. If the load distribution between the wheels is thrown out of balance on an uneven surface and the wheels threaten to spin, the electronics are designed to trigger targeted brake intervention at individual wheels, ensuring instantaneously that the load is balanced again. Optimum traction is also ensured by the electronic dynamic handling system (4ESP®/4ETS) with integral ABS and ASR functions, which further reinforces the effect of the all-wheel drive.





An off-road drive with an on-road feel

From road to rough terrain – sheer pleasure with the GL-Class

The GL-Class is an experience to savour on any road. The standard AIRMATIC air suspension ensures a relaxed drive: the all-round level control is designed to keep the ride height constant throughout, whatever surface you're driving on. The Adaptive Damping System (ADS) makes your drive even more enjoyable. It allows you to choose between three damper settings at the touch of a button, adjusting the ride to suit your individual preferences.

But it's off-road that things get really exciting: the GL-Class is fitted as standard with the Off-Road Pro engineering package. Various different technical details ensure that muddy forest tracks feel like a well-surfaced road. Hill-start assist is designed to make pulling away on a gradient easier, and the off-road ABS system

can reduce stopping distances on steep descents, whilst ESP® Trailer Stability Assist is intended to make driving with a trailer significantly safer. The GL-Class's fording depth can be raised to up to 600 mm – ensuring that the bed of a stream does not have to be considered an obstacle anymore.

The GL-Class features a two-stage transfer case. This means that you can switch from a higher on-road to a lower off-road ratio. The low-range gear offers improved traction on un-asphalted surfaces and makes scaling gradients easier. The 4ESP®/4ETS electronic dynamic handling system adapts specially to the off-road conditions it encounters: the timing of the brake intervention at the wheels is redefined, for example, and the 7G-TRONIC shifts are delayed.





More comfortable than any boardroom seat

Finest wood and sumptuous leather create a pleasant atmosphere on board

Make yourself at home on one of the elegant, comfortable seats. Enjoy the pleasant feel of the inlaid wood and allow your gaze to trace the line of the leather topstitching which underlines the cockpit's two-tone concept. Is everything to your satisfaction?

The driver and front passenger seats feature fully electric seat adjustment as standard. With the optional memory package all you have to do is press a button and the seat automatically moves into the position you selected. The exterior mirror and steering wheel settings are also stored. The driver's seat features an integral, manually adjustable lumbar support which helps ensure a relaxed journey. You can also opt for a heated luxury seat or a multicontour seat which offers even more secure support when you're on the move.

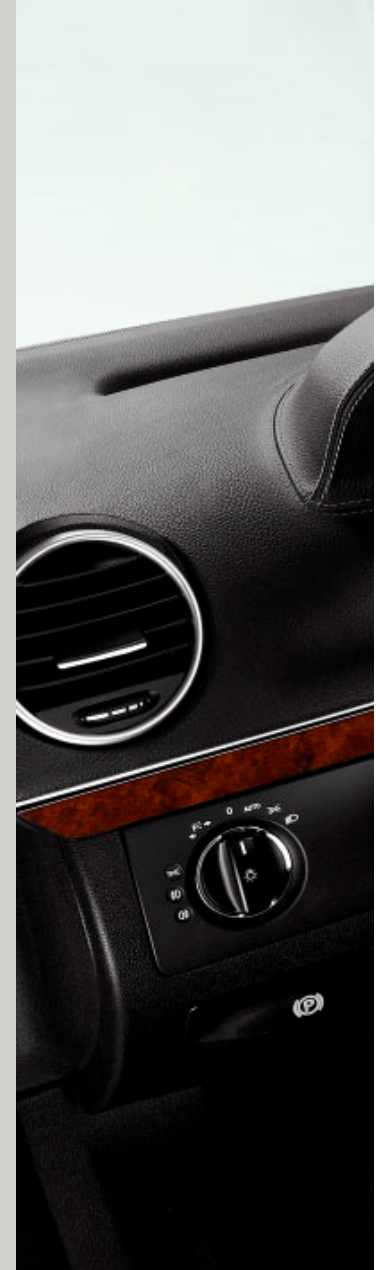
Take a good look around the cockpit – you'll be able to take it all in with one glance. The instrument cluster keeps you up-to-date with the most important data: the selected mode, for example, and the navigation and audio settings. Optionally, you can also choose to receive this information from COMAND: in this case

the navigation or audio data appears on a colour display. Pictures from the optional reversing camera, which makes parking using PARKTRONIC easier, are also shown here. THERMATIC automatic climate control or multi-zone THERMOTRONIC, which allows the temperature in the rear to be regulated separately, ensures a pleasant environment at all times.



Interplay of colours

The matt and high-shine chrome applications add flair to the interior. With the alpaca grey and cashmere beige appointments, some details are two-tone. This gives the cockpit a more spacious look







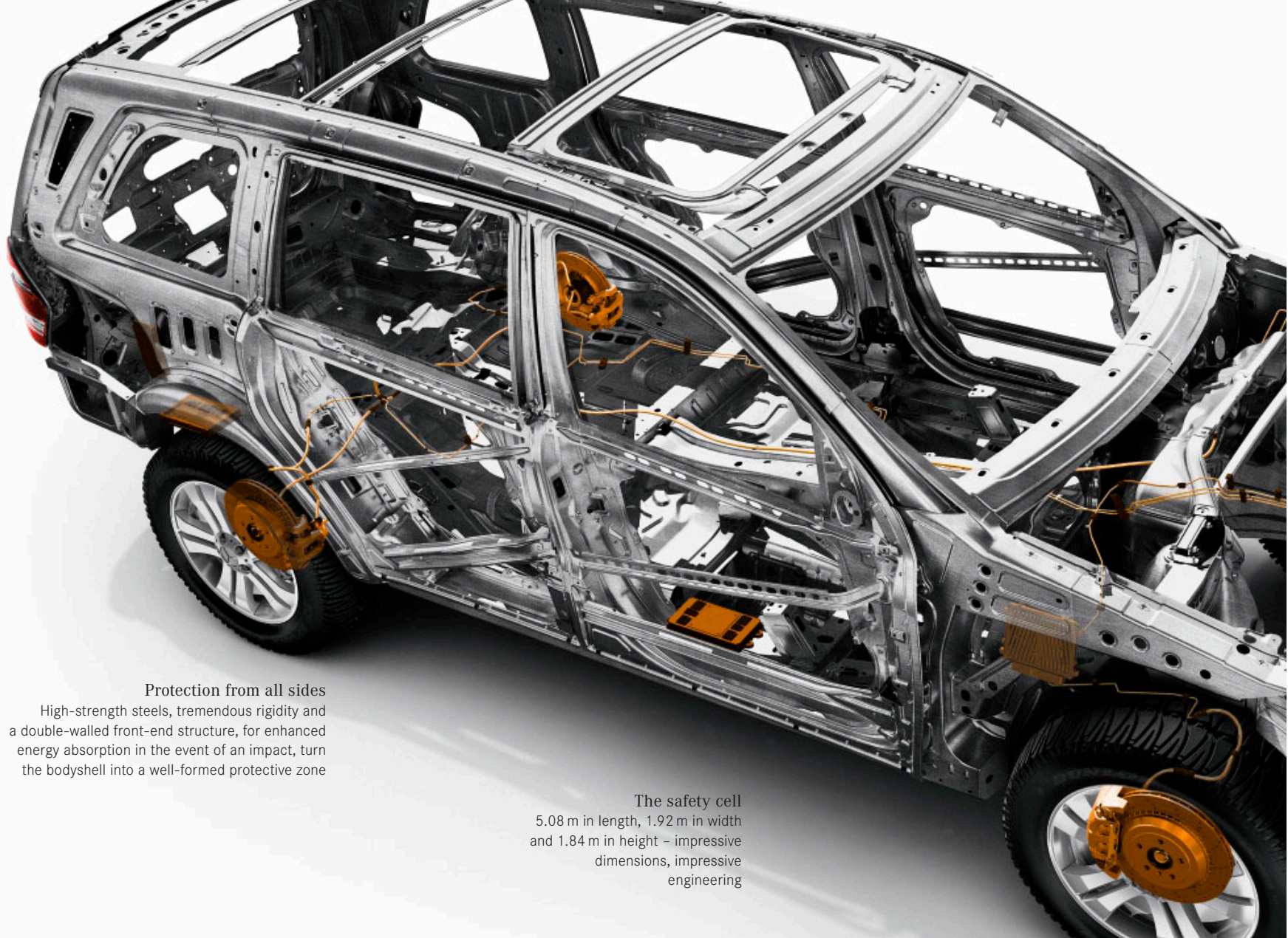


It can be lonely at the top. You can change that

The GL-Class comfortably seats up to seven

Make yourself at home in your own private lounge: there's room for up to seven people to relax on the leather seats in the GL-Class. EASY-ENTRY, which allows you to fold away one of the seats in the second row, provides comfortable access to the third seat row, above which a panoramic sunroof ensures a refreshing amount of light. In the front a tilting/sliding sunroof lets in sun and air. The optional third seat row folds away electrically, creating additional stowage room. With the second and third seat rows folded, the GL-Class has a load capacity of 2,300 litres.

Even in the rear of the GL-Class you can expect front-row treatment. Here you can enjoy the optional rear-seat entertainment system, which allows you to watch DVDs on integral 7-inch colour screens in the back of the first-row head restraints. You even have the option of a digital TV tuner. And the optional harman/kardon LOGIC7® surround sound system, with its eleven loudspeakers and subwoofer, ensures optimum sound quality.



Protection from all sides

High-strength steels, tremendous rigidity and a double-walled front-end structure, for enhanced energy absorption in the event of an impact, turn the bodyshell into a well-formed protective zone

The safety cell

5.08 m in length, 1.92 m in width and 1.84 m in height – impressive dimensions, impressive engineering

Safely on your way

PRO-SAFE™ – the new safety philosophy from Mercedes-Benz

On-the-spot electronics

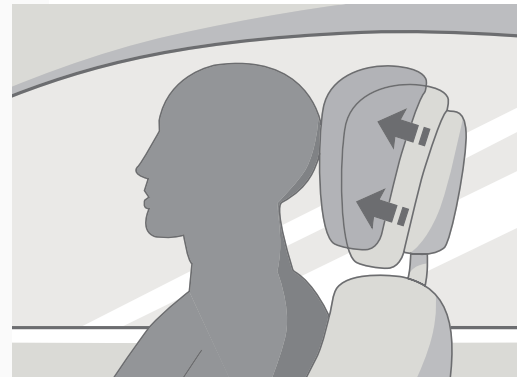
The safety systems constantly check that the vehicle is keeping to the ideal line



The PRO-SAFE™ safety philosophy no longer makes a distinction between separate active and passive safety systems. Instead it represents Mercedes-Benz's pioneering, holistic approach to the concept of safety. Assistance systems permanently monitor the driving situation. Where known typical dangers arise, the systems recognise these, provide warnings and intervene where possible.

In the GL-Class, for example, functions such as ESP® or ESP Trailer Stability Assist ensure comfortable and above all safer driving. Further systems such as the clear control and display concept are intended to make life easier for the

driver by minimising distractions. Inside the GL-Class, driver and front passenger airbags are designed to protect against injury. Sidebags and windowbags reinforce the protection afforded. Automatic child seat recognition is available as an option. If an accident appears imminent, the optional PRE-SAFE® system intervenes. PRE-SAFE® enables the sliding sunroof and side windows to be closed automatically and also allows the seat belts to be tightened until the critical situation has passed, if necessary. And if a collision should occur, PRE-SAFE® enables the engine and fuel pump to be switched off and allows the doors to be unlocked so that they can be opened both from the inside and outside.



NECK-PRO crash-responsive head restraints

In the event of a rear-end collision, the front head restraints move forward and upwards, thus minimising the risk of injury. NECK-PRO is available as an option

STANDARD EQUIPMENT (SELECTION)
19-inch light-alloy wheels (18-inch for GL 320 CDI)
3-point front seat belts with belt force limiters and belt tensioners; 3-point seat belts for 2 nd seat row with integral belt tensioners and belt force limiters (centre seat without tensioner); front seat belts manually height-adjustable
4ESP®/4ETS (Electronic Stability Program and Electronic Traction System)
7G-TRONIC 7-speed automatic transmission
Airbag with multi-stage deployment logic and sidebag for driver and front passenger plus windowbags for all seat rows
AIRMATIC (air suspension with Adaptive Damping System (ADS)) and all-round level control
Anti-lock braking system (ABS)
Armrests front and rear, folding, front armrest with compartment
ARTICO man-made leather (nappa leather for GL 500)
ASSYST PLUS service interval indicator with service computer
Basic chrome-look exterior (scratch protection on rear bumper ¹ , rub strips and door handles painted in body colour with chrome inlay)
Brake Assist (BAS)
Central locking with interior switch and crash sensor
Cruise control with SPEEDTRONIC variable speed limiter
DIRECT SELECT gearshift with steering-wheel gearshift buttons and steering-column selector lever
Downhill Speed Regulation (DSR - automatic brake control for downhill driving)
Electronic immobiliser including locking system with infrared remote control (recognised by AZT [Allianz Centre for Technology] and TÜV [German technical inspection authority])

Electronic Stability Program (ESP®) with ABS and ASR
Green-tinted, noise-insulating glass all round
Headlamp Assist
Hill-start assist (HSA)
ISOFIX child seat attachment points for 2 nd seat row, left and right, with top tether, left, centre and right
Leather-trimmed multifunction steering wheel
Load-securing rings in load compartment
Multi-zone THERMOTRONIC luxury automatic climate control (optional extra for GL 320 CDI)
Off-Road Pro engineering package (two-speed transfer case, additional differential locks, modified air suspension with extendable range for greater ground clearance and fording depth, reinforced sump shield)
Power windows, 4
Pre-installation for roof-mounted carrier systems
Seat occupancy sensor in front passenger seat
Simulated underguard ¹ in chrome (optional extra for GL 320 CDI)
Speed-sensitive power steering
THERMATIC automatic climate control (for GL 320 CDI)
Tyre pressure loss warning system
Waistline trim strip in chrome (GL 500 only)

¹Not available together with exterior spare-wheel carrier.

OPTIONAL EXTRAS (SELECTION)	GL 320 CDI 4MATIC	GL 420 CDI 4MATIC	GL 450 4MATIC	GL 500 4MATIC
Automatically dimming interior and exterior mirrors	●	□	□	□
Auxiliary heater with remote control	●	●	●	●
Bi-xenon headlamps with Active Light System, headlamp cleaning system, dynamic headlamp range control, cornering light function and integral fog lamp function	●	●	●	□
CD changer, MP3-compatible, for 6 CDs	●	●	●	●
COMAND APS control and display system with 6.5-inch colour display	●	●	●	●
Dark-tinted privacy glass for rear window and rear side windows	●	●	●	●
EASY-PACK tailgate with obstruction sensor	●	●	●	□
Electrically operated tilting/sliding glass sunroof with obstruction sensor, and electrically operated vent windows in rear	●	●	●	●
Exterior chrome package (chrome-look roof rails and crossbars)	●	●	●	●
harman/kardon LOGIC7® surround sound system, Dolby Digital 5.1, DTS, 11 loudspeakers plus subwoofer, 600 watt	●	●	●	●
Heated leather steering wheel	●	●	●	●
KEYLESS-GO	●	●	●	●
Leather upholstery (including interior lighting package)	●	●	●	-
Memory package (front seats, steering column and exterior mirrors electrically adjustable, exterior mirror with parking position)	●	□	□	□
Nappa leather upholstery (including interior lighting package)	●	●	●	□
NECK-PRO crash-responsive head restraints for driver and front passenger	●	●	●	●
PARKTRONIC	●	●	●	□
Rear air conditioning (only in conjunction with THERMOTRONIC)	●	●	●	●
Rear-seat entertainment system with up to two LCD screens (7-inch), DVD player and headphones	●	●	●	●
Reversing camera	●	●	●	●
TV tuner (for analogue and digital TV reception)	●	●	●	●
Wood/leather steering wheel	●	●	●	●

● Optional extra □ Standard equipment - not available

Perfect for the car that has everything

Distinctive wheels and the chrome package give the GL-Class a new look

The various standard trim parts such as the louvres in the radiator grille, the inlay in the body-coloured door handles, the fine trim strips in the tail lights and the simulated underguard in chrome (available as an option for the GL 320 CDI) mean that, even in its basic specification, the GL-Class is a vehicle that sparkles.

The exterior chrome package adds a further touch of refinement to your GL-Class. The roof

rails here are chrome-coloured rather than black, as are the practical crossbars. As an option you can also select chrome-look stainless steel running boards.

If you are interested in complementing the look with attractive light-alloy wheels, we offer 18-inch 5-spoke light-alloy wheels, size 265/60 R 18, as standard equipment for the GL 320 CDI. The elegant 19-inch 7-spoke

“Aldhanab” incenio designer wheels and the generously sized 20-inch 5-spoke “Porrima” incenio designer wheels are available as optional extras for all models.

18-inch 5-spoke light-alloy wheel



19-inch 7-spoke “Aldhanab” incenio designer wheel

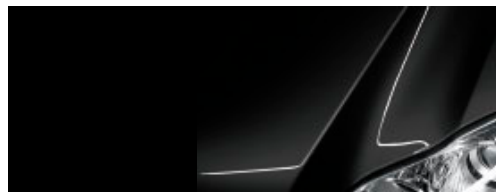


20-inch 5-spoke “Porrima” incenio designer wheel

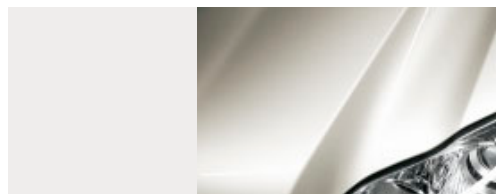




NON-METALLIC PAINT

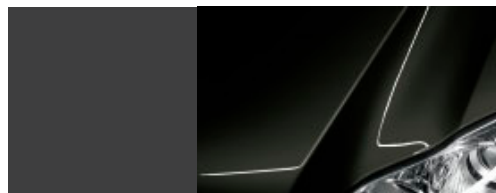


040 black



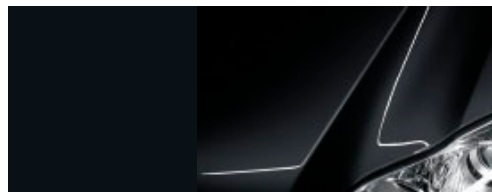
960 alabaster white

SPECIAL PAINT

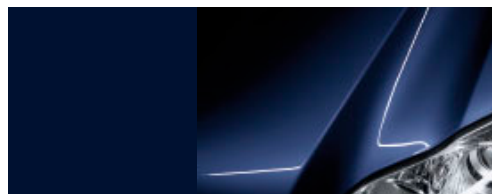


474 peridot brown

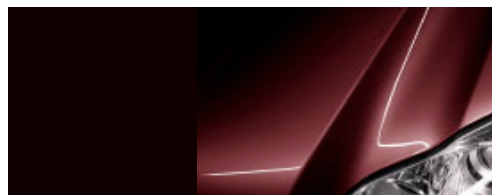
METALLIC PAINT



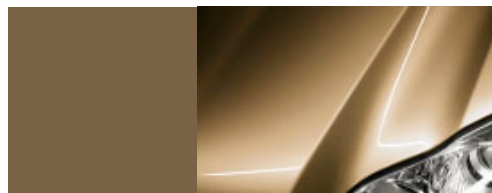
197 obsidian black



359 tanzanite blue



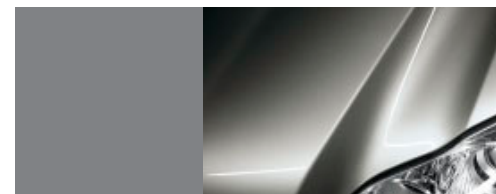
544 carnel red



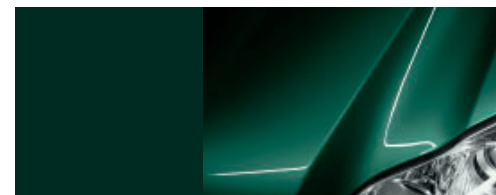
693 travertine beige



723 cubanite silver



775 iridium silver



816 andradite green

Expressive colours

Bring out the character of the GL-Class with your favourite colour. Choose from a range of different paint finishes and continue the theme inside, where fine leather and colour-coordinated wood round off the look of your GL-Class.

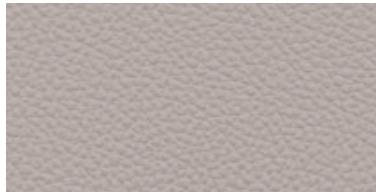
ARTICO MAN-MADE LEATHER¹



101 black



104 cashmere beige



108 alpaca grey

LEATHER¹



201 black



204 cashmere beige



208 alpaca grey

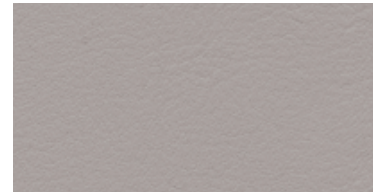
NAPPA LEATHER



501 black

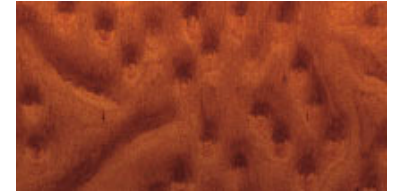


504 cashmere beige

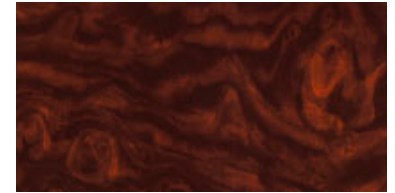


508 alpaca grey

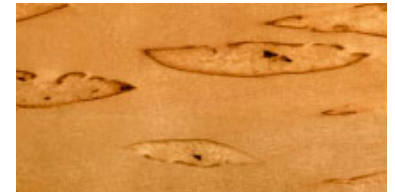
WOOD



Bird's-eye poplar wood²



Burr walnut



Pale birch

Take a seat

Finest leather sets the tone inside the GL-Class. You won't find a more comfortable or refined place to sit. Try it out for yourself.

Back to nature

Wood trim adds to the special atmosphere on board. Choose your favourite from the various colours and patterns available.

¹Not for GL 500.

²For GL 320 CDI only.

	<i>GL 320 CDI 4MATIC</i>	<i>GL 420 CDI 4MATIC</i>	<i>GL 450 4MATIC</i>	<i>GL 500 4MATIC</i>
No. of cylinders/arrangement	6/V	8/V	8/V	8/V
Bore/stroke (mm)	83.0/92.0	86.0/86.0	92.9/86.0	98.0/90.5
Total displacement (cc)	2987	3996	4663	5461
Rated output (kW at rpm) ¹	165/3800	225/3600	250/6000	285/6000
Rated torque (Nm at rpm) ¹	510/ 1600–2800	700/ 2200–2600	460/ 2700–5000	530/ 2800–4800
Compression ratio	17.7	17.0	10.7	10.7
Alternator (V/A)	14/220	14/220	14/180	14/180
Acceleration from 0 to 100 km/h (s)	– ²	– ²	– ²	– ²
Top speed, approx. (km/h)	– ²	– ²	– ²	– ²
Tyre size front	265/60 R 18	275/55 R 19	275/55 R 19	275/55 R 19
rear	265/60 R 18	275/55 R 19	275/55 R 19	275/55 R 19
Fuel	Diesel	Diesel	Premium unleaded	Premium unleaded
Fuel consumption (l/100 km) ³				
Urban (automatic transmission)	– ²	– ²	– ²	– ²
Extra-urban (automatic transmission)	– ²	– ²	– ²	– ²
Combined (automatic transmission)	– ²	– ²	– ²	– ²
CO ₂ emissions (g/km) ³ (automatic transmission)	– ²	– ²	– ²	– ²
Tank capacity (l)/including reserve, approx.	100/13	100/13	100/13	100/13
Turning circle diameter (m)	12.1	12.1	12.1	12.1
Load capacity behind driver's seat without 3 rd seat row, 2 nd seat row folded down (1)	2300	2300	2300	2300
Kerb weight (kg) ⁴ (7 seats)	2450 (2505)	2550 (2585)	2430 (2465)	2445 (2480)
Permissible GVW (kg) (7 seats)	3150 (3250)	3250 (3250)	3150 (3250)	3150 (3250)

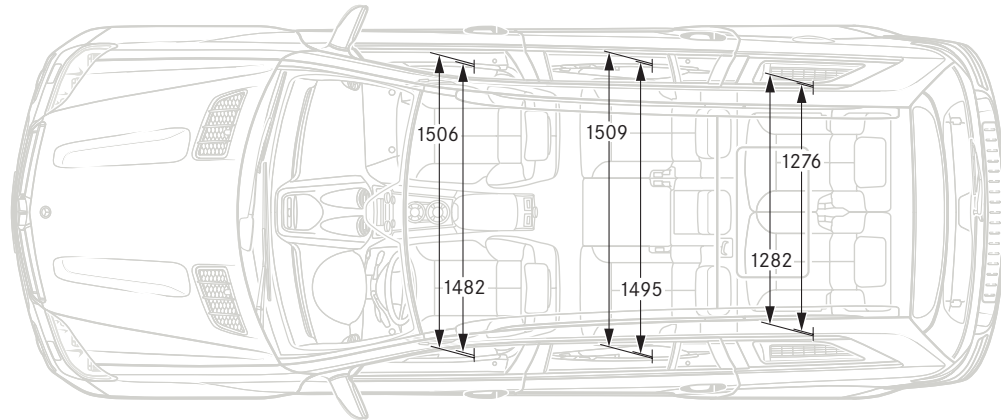
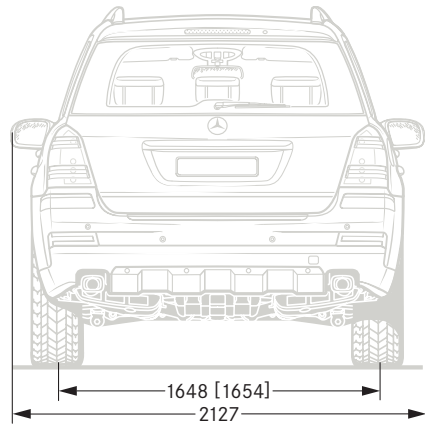
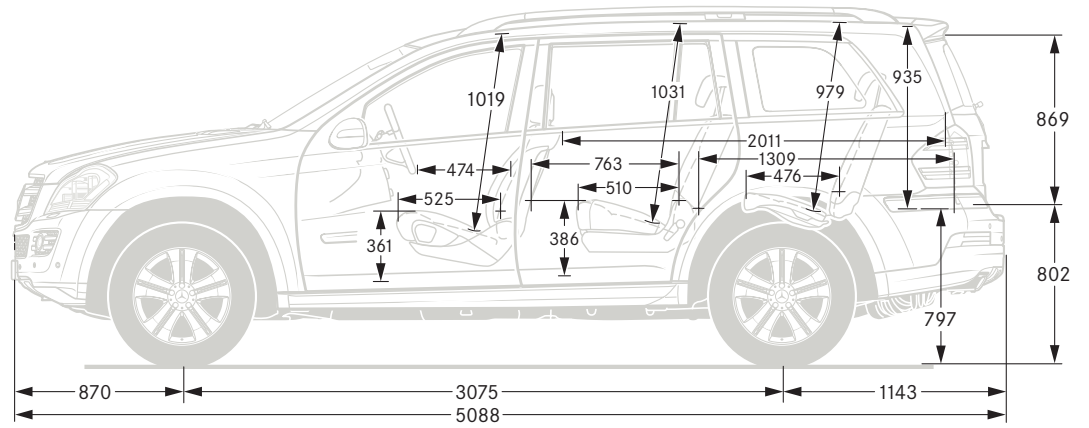
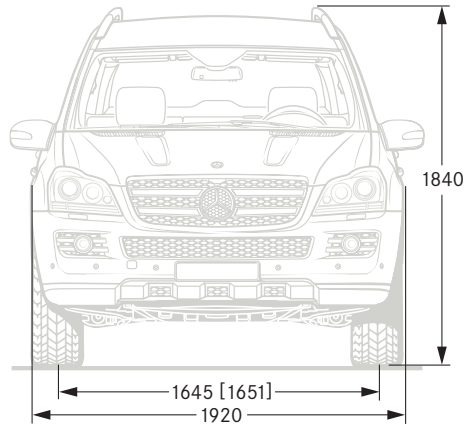
¹ Figures according to Directive 80/1269/EEC in the currently applicable version.

² Figures unavailable at the time of going to print.

³ The figures shown were obtained in accordance with the prescribed measuring process (Directive 80/1268/EEC in the currently applicable version). The figures are not based on an individual vehicle and do not constitute part of the product offer; they are provided solely for purposes of comparison between different vehicle models.

⁴ Figures according to Directive 92/21/EC as amended by 95/48/EC (kerb weight with fuel tank 90 % full, driver, 68 kg, and luggage, 7 kg) for standard-specification vehicles. Optional extras and accessories will generally increase this figure and reduce the payload capacity accordingly.

The GL-Class



All figures in mm. The dimensions shown are average values for the standard-specification, unladen vehicle.

[] Figures for GL 320 CDI.

Take-back of end-of-life vehicles. Coming full circle

At the end of its long life, you can return your GL-Class to us for environment-friendly disposal in accordance with the EC End-Of-Life Vehicle Directive.¹ But that day lies a long way off.

¹Applies in accordance with national regulations to vehicles up to 3.5 t permissible gross weight. Mercedes-Benz passenger cars have met the statutory regulations governing the suitability of the vehicles' design for reuse and recycling for a number of years now. A network of vehicle take-back depots and dismantlers has been established which will process your vehicle in an environment-friendly manner. The ways in which both vehicles and parts can be recovered are subject to ongoing development and improvement. Consequently, the GL-Class will be able to comply with any future increases in the recycling quota within the stipulated time limits. For further information, please call 0080017777777.

Please note: changes may have been made to the product since this brochure went to press (25.01.2006). The manufacturer reserves the right to make changes to the design, form, colour and specification during the delivery period, provided these changes, while taking into account the interests of the vendor, can be deemed reasonable with respect to the purchaser. Where the vendor or the manufacturer uses symbols or numbers to describe an order or the subject of an order, no rights may be derived solely from these. The illustrations may show accessories and items of optional equipment which are not part of standard specification. Colours may differ slightly from those shown in the brochure, owing to the limitations of the printing process. This brochure has been compiled by DaimlerChrysler AG of Germany and is distributed internationally. It provides a general indication of the range of models, features, optional extras and/or colours available in various countries. Some of the models, features, optional extras and/or colours may not be available in your country, or may only be available in a different specification. Additionally some models, features, optional extras and/or colours may only be available in combination with others. For current and more specific information in relation to the range of models, features, optional extras and/or colours available in your country, and their pricing, you should contact your nearest authorised Mercedes-Benz Passenger Car Dealer.