

This brochure has been compiled by DaimlerChrysler AG of Germany and is distributed internationally. It provides a general indication of the range of models, features, optional extras and/or colours available in various countries. Some of the models, features, optional extras and/or colours shown may not be available in your country or may only be available in a different specification. Additionally some models, features, optional extras and/or colours may only be available in combination with others. For current and more specific information in relation to the range of models, features, optional extras and/or colours available in your country, and their pricing, you should contact your nearest authorised Mercedes-Benz Passenger Car Dealer.



Mercedes-Benz



THE NEW-GENERATION E-CLASS



Mercedes-Benz

“One thing I feel most passionately about: love of invention will never die.”

Karl Benz

The E-Class 10

| | |
|------------------------------|----|
| SAFETY | 12 |
| PRO-SAFE™ | 14 |
| PERFORM-SAFE and PRE-SAFE® | 16 |
| PASSIVE-SAFE and POST-SAFE | 18 |
| <hr/> | |
| COMFORT | 20 |
| Interior | 22 |
| Ride comfort | 28 |
| Estate | 30 |
| <hr/> | |
| DYNAMISM | 32 |
| Diesel engines | 34 |
| Petrol engines | 36 |
| NGT petrol/natural gas drive | 38 |
| Transmissions | 40 |
| Dynamic handling systems | 42 |
| 4MATIC all-wheel drive | 44 |
| <hr/> | |
| AMG | 46 |

My E-Class 52

| | |
|------------------------|-----|
| EQUIPMENT LINES | 54 |
| CLASSIC | 56 |
| ELEGANCE | 60 |
| AVANTGARDE | 64 |
| <hr/> | |
| EQUIPMENT | 70 |
| Standard equipment | 72 |
| Light-alloy wheels | 74 |
| Optional extras | 76 |
| Sports packages | 79 |
| <hr/> | |
| designo | 82 |
| <hr/> | |
| GENUINE ACCESSORIES | 86 |
| <hr/> | |
| COLOURS AND MATERIALS | 88 |
| Paintwork | 90 |
| Upholstery and leather | 92 |
| Wood | 94 |
| Combination options | 95 |
| <hr/> | |
| TECHNICAL DATA | |
| Saloon | 96 |
| Estate | 100 |
| <hr/> | |
| SERVICE | 106 |

Summing up Mercedes-Benz in one letter

The new-generation E-Class: epitomising what makes a Mercedes

For over 60 years now, the letter E has been synonymous with comfort, safety and elegance. It's a tradition which the new-generation E-Class is proud to continue. The driving experience is as sublime as it always has been, but more dynamic than ever – with more powerful engines and with the DIRECT CONTROL package, which offers more direct steering, more precise, short-throw gear shifting and new suspension tuning. All of which makes the E-Class even more of a joy to drive, while preserving its legendary comfort.

On top of this, there are new design elements and colour variants, inside and out. And for

even more safety, you'll now find PRE-SAFE®, the anticipatory safety system, on board.

The new optional Intelligent Light System is, literally, a highlight. Based on the bi-xenon headlamps with the Active Light System, the low-beam headlamps automatically adapt to the given traffic situation. The system ensures broader illumination of the carriageway on extra-urban roads and twice as long a headlamp range on motorways.

After all, seeing further ahead is just part of the Mercedes-Benz strategy of **thinking ahead**.



D S 0G 660













The E-Class



Safety

We've been shaping the future of safety for the past 60 years

Mercedes-Benz milestones

It all started with an unseen revolution. Several decades ago, when Mercedes-Benz presented the first production car with passive safety features, the innovations on board – the safety cell with crumple zones – were invisible to the observer.

Since then Mercedes-Benz has time and again proved a pioneer in the field of safety. In 1978 it was a Mercedes-Benz that helped put ABS on the map, and just three years later airbags and belt tensioners made their debut in a standard-production vehicle. The list goes on – from the introduction of ESP® to PRE-SAFE®.

Throughout, Mercedes-Benz has doggedly been pursuing one goal: the vision of accident-free driving. It will be a while before this vision becomes reality, but with PRO-SAFE™ the goal has moved a step closer to fulfilment.

Béla Barényi – seen here with a safety prototype – is the acknowledged father of passive safety engineering.

His name appears on the Mercedes-Benz patents for the safety passenger cell with crumple zones and the safety steering column





17 3 59

A comprehensive approach to safety

PRO-SAFE™ – the safety philosophy of Mercedes-Benz

Rather than drawing a distinction between active and passive safety, PRO-SAFE™ combines both types of safety system into a forward-looking integrated Mercedes-Benz safety philosophy. Our approach to safety at Mercedes-Benz doesn't just extend from ABS to ESP® – it extends from A to Z.

The standard of comfort on board makes the driver's job easier, while assistance systems permanently monitor the driving situation. If certain dangers arise, the driver can be warned and supported.

As a precaution, reversible protective measures can take effect, providing the required protection for the occupants in the event of an accident. And the protection offered by PRO-SAFE™ doesn't stop once an accident occurs. Specific measures can help prevent anything worse from happening, reducing, for example, the likelihood of secondary accidents.

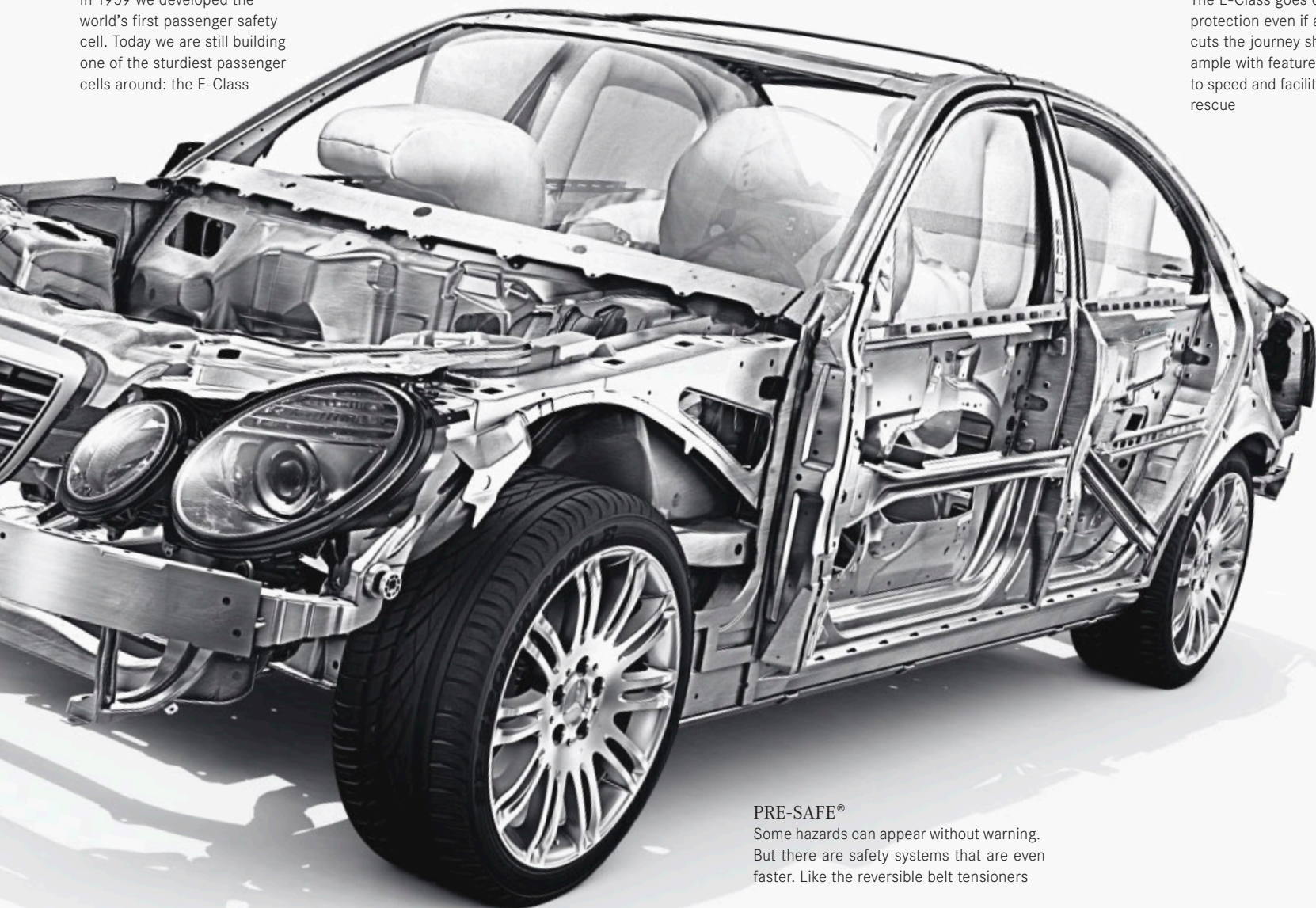
As you can see, at Mercedes-Benz we take a comprehensive, joined-up approach to safety. And this approach forms the heart of PRO-SAFE™.

PERFORM-SAFE
One of many safety systems whose purpose is to anticipate and prevent dangerous situations before they develop is DISTRONIC proximity control, which helps you to keep the required distance from the vehicle in front in the 30 km/h to 180 km/h speed range



PASSIVE-SAFE

In 1959 we developed the world's first passenger safety cell. Today we are still building one of the sturdiest passenger cells around: the E-Class



POST-SAFE

The E-Class goes on providing protection even if an accident cuts the journey short. For example with features which help to speed and facilitate occupant rescue

PRE-SAFE®

Some hazards can appear without warning. But there are safety systems that are even faster. Like the reversible belt tensioners



Ready for the unexpected

Anticipatory safety measures: PERFORM-SAFE and PRE-SAFE®

PERFORM-SAFE comprises active safety features like the control and display concept which minimises distractions from what is happening on the road. Then there are systems which provide support in critical situations and alert the driver to potential hazards – like the ADAPTIVE BRAKE system, which includes a HOLD function that prevents the vehicle rolling away when stopped on a hill, a brake-drying function for wet-weather driving and adaptive brake lights which alert following traffic to emergency braking by flashing on deceleration and activate the hazard warning lights when the vehicle comes to a standstill.

The headlamps, too, offer innovative technology. The optional Intelligent Light System, based on the bi-xenon headlamps with the active light function and cornering light function, automatically adapts the low-beam lights to the given driving situation. The system provides broader illumination of the road on extra-urban roads and improves long-range visibility by up to 50 metres on motorways. This means obstacles can be spotted sooner, and driving style adapted accordingly. The Intelligent Light System also includes enhanced fog lamps, which significantly

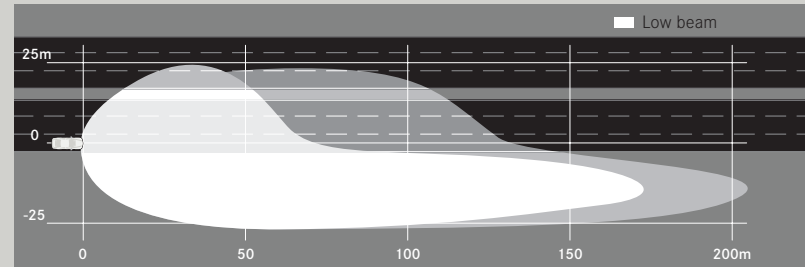
improve illumination of the driver's side of the road and LED-enhanced, brighter side lights.

PRE-SAFE® includes systems which are able to anticipate hazards and take precautionary measures. They include reversible belt tensioners and automatic closure of the side windows and of the optional tilting/sliding sunroof.

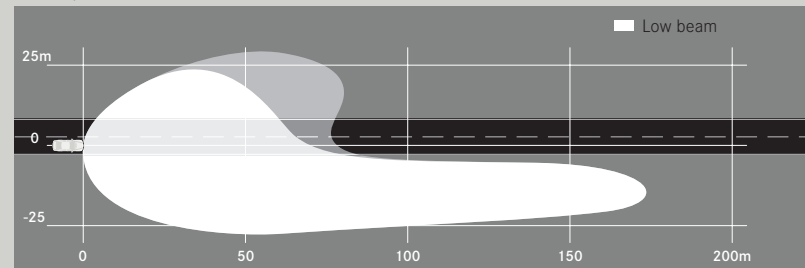
Intelligent Light System

From a road speed of 90 km/h, the motorway mode is switched on in two stages, allowing the driver to see up to 60 percent further than with conventional low beams, while the new country road mode provides extended illumination of the driver's-side edge of the road

Motorway mode



Country road mode



Adaptive brake lights

The adaptive brake lights are activated as soon as the driver brakes very hard, very quickly and suddenly and/or if the anti-lock braking system (ABS) is activated

We hope this is the only time you'll ever see these safety features

PASSIVE-SAFE and POST-SAFE: protection in the event of an accident

The E-Class contains a wide range of safety systems designed to prevent accidents. Should an accident nevertheless be unavoidable, PASSIVE-SAFE will go into action. PASSIVE SAFE offers protection both for your own vehicle and for other road users. Protection for your own vehicle includes a high-strength safety cell and systems such as the adaptive front airbags, the sidebags and windowbags, and the crash-responsive NECK-PRO head restraints for the driver and front passenger seats. In the event of a rear-end impact of a given severity, pretensioned springs push the head restraints on the driver and front passenger seats forward around 40 mm and upward around 30 mm in fractions of a second.

This braces the heads of the front seat occupants sooner, thus reducing the risk of whiplash injury.

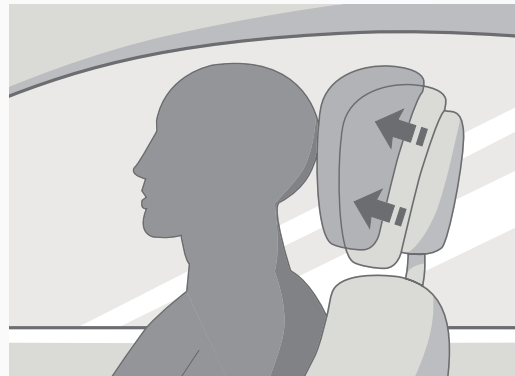
Other road users meanwhile are protected by features such as the smooth bodywork and the controlled yielding of the bumpers.

POST-SAFE includes measures which help to prevent the situation from deteriorating after an accident: the fuel tank, for example, is situated in the protected area in front of the rear axle and the engine and fuel supply are automatically switched off after a serious collision. To prevent secondary accidents and make it easier to locate the vehicle concerned, the hazard warning lights are activated automatically. Doors which unlock auto-

matically and are easy to open mean that occupants can be rescued more quickly after an accident.

Another safety measure provided by Mercedes-Benz is the multi-language rescue manual which is available on the internet to rescue services worldwide.

You can download further information about safety at www.mercedes-benz.com/safety



NECK-PRO head restraints

The NECK-PRO head restraints are sensor-controlled. After deployment, they can be returned to their original position by hand







Comfort made the E-Class what it is today. Or should that be the other way round?

Feel thoroughly spoiled in the E-Class

Welcome home – when it comes to making you feel secure and at ease, the E-Class has few rivals. That's not about to change, but we have tweaked a few of the details which help produce that feeling.

For example occupants can now select their preferred temperature using the very latest climate systems. And sit in luxury seats equipped with heating, ventilation and luxury head restraints. Luxury which not long ago would have been unimaginable is also the keynote of options like the surround sound system and DVD navigation system.

Driver-fitness safety

Mercedes-Benz is the only carmaker in the world that investigates the medical and psychological aspects of driving at its own research centre. This has led to the development of assistance systems which have helped to make driving not only significantly more enjoyable but also safer. Such systems include DISTRONIC proximity control and LINGUATRONIC voice control, both of which make for more relaxed, more stress-free driving



To enjoy a perfect climate all year round, at one time you would have had to emigrate

The E-Class climate systems

An atmosphere of ease and comfort is standard in the E-Class – thanks amongst other things to the easy-to-operate THERMATIC automatic climate control system, which allows occupants to select temperature levels to suit their own individual requirements.

Alternatively, the optional THERMOTRONIC luxury automatic climate control system (standard on the E 420 CDI, E 500, E 500 4MATIC and E 63 AMG), allows separate temperature control in four different zones. A four-quadrant solar sensor takes into account the angle of the

sun's rays at each of the four seats when controlling both the air volume and air temperature. Humidity and pollutant levels in the ambient air are monitored by a multifunction sensor and if necessary, THERMOTRONIC automatically switches to recirculation mode.

An even more direct fresh air supply can be provided if the optional electric tilting/sliding sunroof is fitted. The Saloon can also be supplied with the panoramic sliding roof, whose large glass area extends all the way from the front windscreen to the rear windscreen.

THERMATIC

The controls for the automatic climate system are situated above the centre console





Comfort can get you far

The E-Class's comfortable seats

Even the longest journey is a more relaxing experience if you're sitting in the E-Class. The standard upholstery is either fabric (CLASSIC and ELEGANCE equipment lines) or a combination of fabric and ARTICO man-made leather (AVANTGARDE equipment line). Luxurious leather upholstery is also available as an option. The nappa leather upholstery is particularly sumptuous, and is breathable and hard-wearing.

Standard electric height and backrest adjustment for the front seats, and a manually adjustable lumbar support for the driver's seat, allow the ideal seat position to be found.

Optionally, luxury seats are available for the driver and front passenger, featuring three-stage

heating, active ventilation to cool the seat surfaces and individually adjustable luxury head restraints.

As a further option you can choose the dynamic multicontour seats, whose pneumatic side bolsters automatically inflate to provide more support when cornering. The air chambers also offer individual adjustment of the backrest and seat contours. And at the press of a button, an air chamber in the lumbar region will massage the back muscles.

Multicontour seat

The various functions of the optional dynamic multicontour seat are easily adjustable using the buttons on the seat



Seat adjustment

The optional full power adjustment for the front seats can be operated by means of logical controls in the doors. The memory package allows you to store a total of three settings for the driver's seat position, the steering column and the exterior mirrors

4 mid-range woofers, 4 tweeters, 2 surround sound speakers, one bass subwoofer, one centre fill speaker – and no complaints from the neighbours

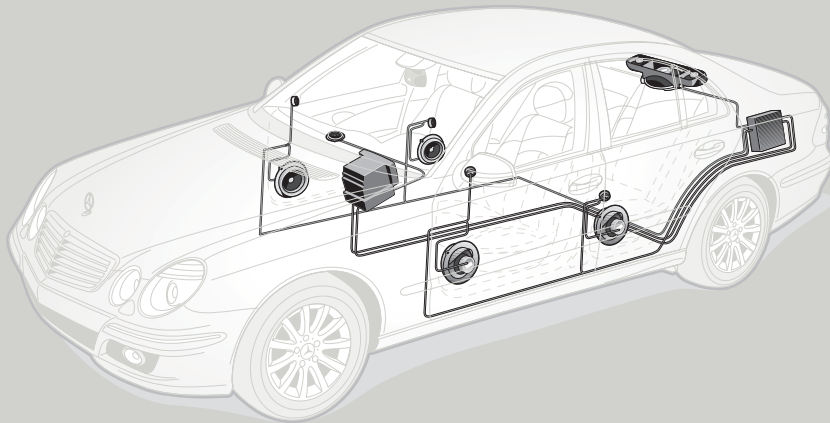
Top-quality entertainment in the E-Class

Listening to music has always been one of the best ways to relax. So we've equipped the E-Class as standard with the Audio 20 CD radio with CD player and nine loudspeakers.

As an option, you can order the COMAND APS control and display system, which provides an all-inclusive entertainment package. It combines a radio and MP3 player with a DVD-based navigation system with dynamic routing capabilities. All functions are controlled on a large colour display. State-of-the-art TFT screen technology results in excellent brilliance and colour render-

ing. With COMAND APS you can watch DVD films and, with the optional TV function for stationary use, you can even watch television.

As a further option, the harman/kardon LOGIC 7® surround sound system is available, featuring twelve loudspeakers, a 420-watt output and a 9-channel DSP amplifier. This system, which is specially matched to the interior acoustics of the vehicle, allows all occupants to enjoy amazingly realistic and breathtakingly precise sound quality, wherever they happen to be sitting.



LOGIC 7® technology

The LOGIC 7® surround sound system delivers amazing live-quality sound with every note – and at every seat

Sound system

For the harman / kardon surround sound system too, the COMAND display screen provides a clear control interface

AUDIO VIDEO
NAV MAP
TEL SERV
⏮ ⏭

Speich. ◀ Balance ▶ Bässe
TA aus Höhen
FM/AM Bal/Fad
Scan Sound
Einstell. ⬆ Fader ⬆ zurück

Radio FM 1 98.4 MHz D1 TELEK
TA [] [] [] []



1 2 3
QD ABC DEF
4 5 6
GHI JKL MNO
7 8 9
PQRS TUV WXYZ
* 0 #
+ ⏪ ⏩



🔊 🔇 🔼 📞 📞

🪑 🪑 PASS AIR BAG OFF 🪑 🪑
🪑 🪑 🪑 🪑 🪑 🪑



You could go a long way to find peace and quiet. But you don't have to

You'll barely hear the engines. Or feel the road surface

Fine wood and sumptuous materials aren't the only factors which help create the exceptional comfort you'll experience in the E-Class. Air plays a role too. AIRMATIC DC semi-active air suspension keeps uneven road surfaces at bay. It is controlled electronically, using four different damper settings. The Adaptive Damping System ADS automatically controls the damping forces at each wheel in line with current requirements and road surface conditions. The result is a smooth ride even on poor roads – but not at the expense of directional stability. On poor roads, it is also possible to raise the ride height manually by approximately 25 millimetres. After driving for some distance at a speed of about 80 km/h, or when the speed exceeds

approximately 120 km/h, the body is automatically lowered again to its normal level. And at the touch of a button you can choose between AIRMATIC DC's three basic modes: comfort, sports comfort and sports. AIRMATIC DC is standard on the E 420 CDI, the E 500, the E 500 4MATIC and the E 63 AMG and optional on all other models.

The silence of the E-Class is legendary. Credit for the low noise levels inside the car goes, in part, to the measures taken to encapsulate engine noise. This and further extensive sound-absorbing measures mean that, while you'll hear a lot about the E-Class, you won't hear a lot from the car itself.

AIRMATIC DC
The load-adaptive all-round self-levelling suspension keeps the vehicle at a virtually constant ride height – for consistently high comfort



The E-Class – think big

The Estate: the perfect packaging for your luggage

A load capacity of up to 1950 litres doesn't really need further explanation. But size alone has never been enough for the E-Class Estate – which is why it features such intelligent solutions as the EASY-PACK system. A standard feature of this system is a retaining net to separate off the load compartment plus a load compartment cover which moves upwards when the tailgate is opened, to make loading easier, and automatically returns to its original position when the tailgate is closed. The cover is designed to protect your luggage from the sun and from prying eyes.

Also standard is the divided load-compartment floor whose hinged flaps open to reveal two stowage compartments, one of which is equipped with a plastic tray.

The optional electro-hydraulic EASY-PACK tailgate can be conveniently opened at the touch of a button either at the driving seat, the tailgate itself or on the ignition key, and can be closed by pressing a button on the tailgate.

And to make sure that everything stays where you want it to stay, both the Saloon and the Estate can be supplied with an EASY-PACK load-securing kit, which holds your cargo securely and tidily in place. It includes a telescopic bar which attaches to cargo rails at the sides and allows the load compartment to be divided flexibly into different zones. Round objects can be secured to the sides using the retractable load-restraining belt.



Load compartment floor

A hydraulically extending and retractable load compartment floor, moving out at the touch of a button, is optionally available. Once you have finished loading, it glides back to its original position – again at the touch of a button. The sturdy panel can hold up to 200 kilograms







Always a pleasure

Dynamism of the highest order

How exactly would you define driving enjoyment? A powerful engine? A sporty suspension? More direct steering? The E-Class offers all of this – but its dynamism goes much further still. For example the engines – both the CDI diesel engines and the petrol engines – are not only more powerful than ever before, they also offer the advantage of low emissions.

The new DIRECT CONTROL package, with firmer suspension tuning, offers even sportier cornering due to significantly reduced roll – but never at the expense of ride comfort. The result is driving enjoyment of a kind which only the E-Class can offer. The optional AIRMATIC DC air suspension takes this a stage further – by automatically adapting the damping forces to your current driving style.

Smaller details make a big impression too. Like the steering-wheel shift paddles (part of the sports package) for the automatic transmission. Whenever you want, they allow you to switch between superb comfort and convenience or a sportier driving style.

What's more, the dynamism of the E-Class is designed to last – as gruelling endurance tests have shown. For example we packed three standard-production E 320 CDI models off to the Laredo high-speed test track in the Texan desert, where they all completed 100,000 miles of driving at an average speed of 224 km/h, interrupted only by brief refuelling and maintenance stops. This was not only a world record, it also proved that the E-Class offers top performance in everything from its engine and suspension to its electronics. Wherever you're heading – to the desert, the office or on holiday.

More power, less fuel

The CDI diesel engines

The 4-cylinder in-line CDI diesel engines in the E 200 CDI* and E 220 CDI offer power, a smooth ride and fuel efficiency. And with 100 kW (136 hp) and 340 Nm or 125 kW (170 hp) and 400 Nm, you can be sure that economical driving is highly enjoyable too. The smoothness of both engines can be attributed to the Lanchester balancer shaft and extensive damping.

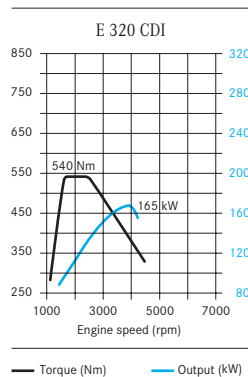
In the E-Class, common-rail diesel technology is also available with the refinement of six cylinders. Piezoelectric injectors enhance the dynamic performance. Their tiny piezoelectric crystals contract when an electric current is applied, and this phenomenon is used to control the fuel quantity with enormous precision, in turn resulting in more responsive acceleration. The V-engined

E 280 CDI and E 320 CDI, with 140 kW (190 hp) and 165 kW (224 hp) respectively, are also available as 4MATIC models with all-wheel drive.

The top-of-the-line diesel model is the E 420 CDI*, which features one of the highest-torque V8 car diesel engines in the world. The 231 kW (314 hp) powerplant delivers a maximum torque of 730 Nm at a mere 2200 rpm and accelerates the E 420 CDI from 0 to 100 km/h in just 6.1 seconds.

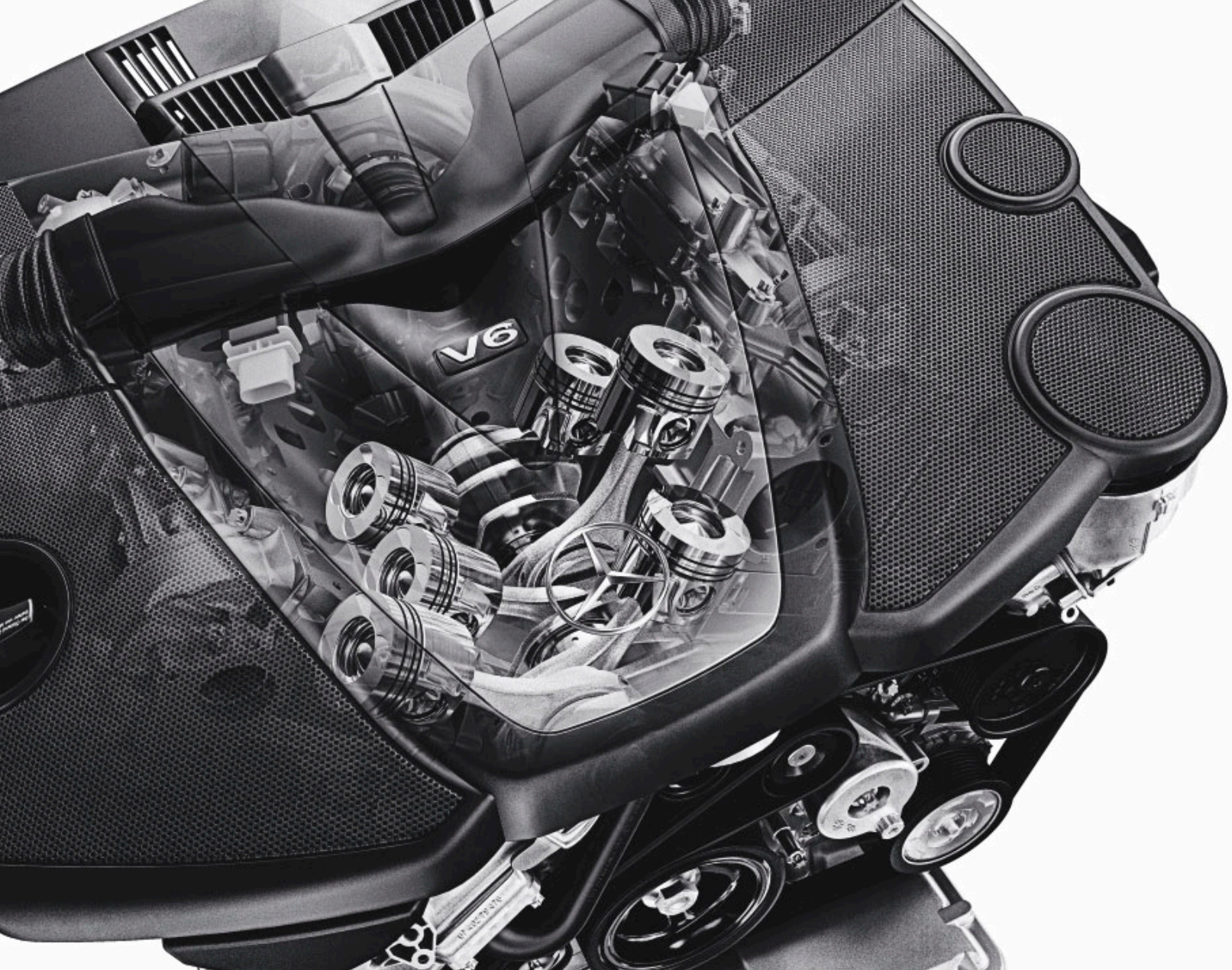
A particulate filter is standard for all diesel models, helping to minimise particulate emissions.

*The E 200 CDI and the E 420 CDI are not available as Estates



E 320 CDI
The performance curve of the E 320 CDI – an example of cutting-edge diesel technology





Performance art at its finest

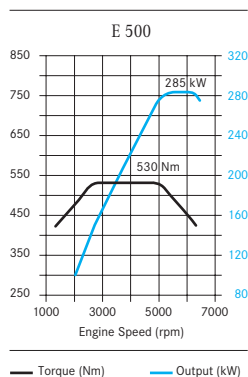
Powerful statistics – the E-Class petrol engines

We go to extraordinary lengths to produce the special driving experience offered by the E-Class. The 4-cylinder in-line supercharged engine in the E 200 K makes a powerful starting point – with an output of 135 kW (184 hp).

An extensive technology package is also the secret behind the 6-cylinder V-engines in the E 280 and E 350. All four camshafts, for example, feature variable adjustment across the entire engine speed range – ensuring that high torque is available from low revs on up. Optimum fuel combustion also results in low consumption, while a balancer shaft ensures smooth operation. For added peace of mind, particularly where road conditions are poor, both models are also available as 4MATIC versions with all-wheel drive.

The E 500 comes with a new V8 engine. The key data: 5.5-litre displacement, 285 kW (388 hp) output and a maximum torque of 530 Nm. The result: a sublime driving experience, whatever the situation. Thanks to a longer final drive ratio, we were able to lower the engine speed level – and with it the noise level. The E 500 too is available with 4MATIC all-wheel drive.

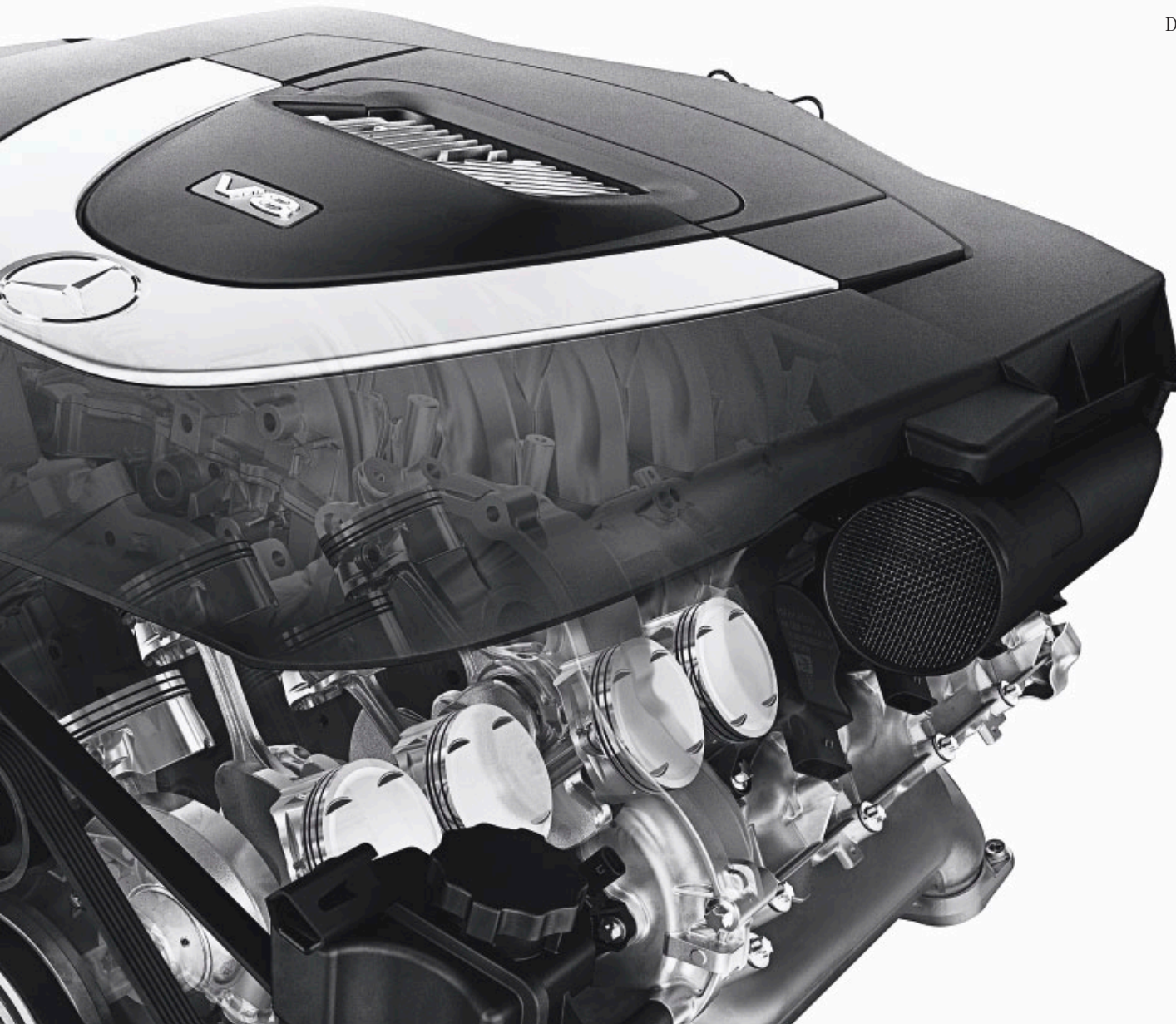
The top-of-the-line E-Class engine is the new AMG high-performance powerplant in the E 63 AMG – with an output of 378 kW (514 hp). Read more about this engine on page 49.



E 500

The maximum torque of 530 Nm is available across a broad engine speed range from 2800 to 4800 rpm





E 500

For enhanced power build-up, the V8 engine is fitted with four valves per cylinder. The optimum power output and low consumption can be attributed to the adjustable intake and exhaust camshafts and use of lightweight materials such as magnesium

Tap into a natural energy source

The E 200 NGT with innovative petrol/natural gas drive

The environmentally friendly bi-fuel E 200 NGT switches from petrol to natural gas drive at the press of a button. And while you won't affect the 120 kW (163 hp) output, you will have a positive effect on the environment: the natural gas drive significantly reduces the emission of CO₂, nitrogen oxides, carbon monoxide and reactive hydrocarbons. And in addition to benefiting the envi-

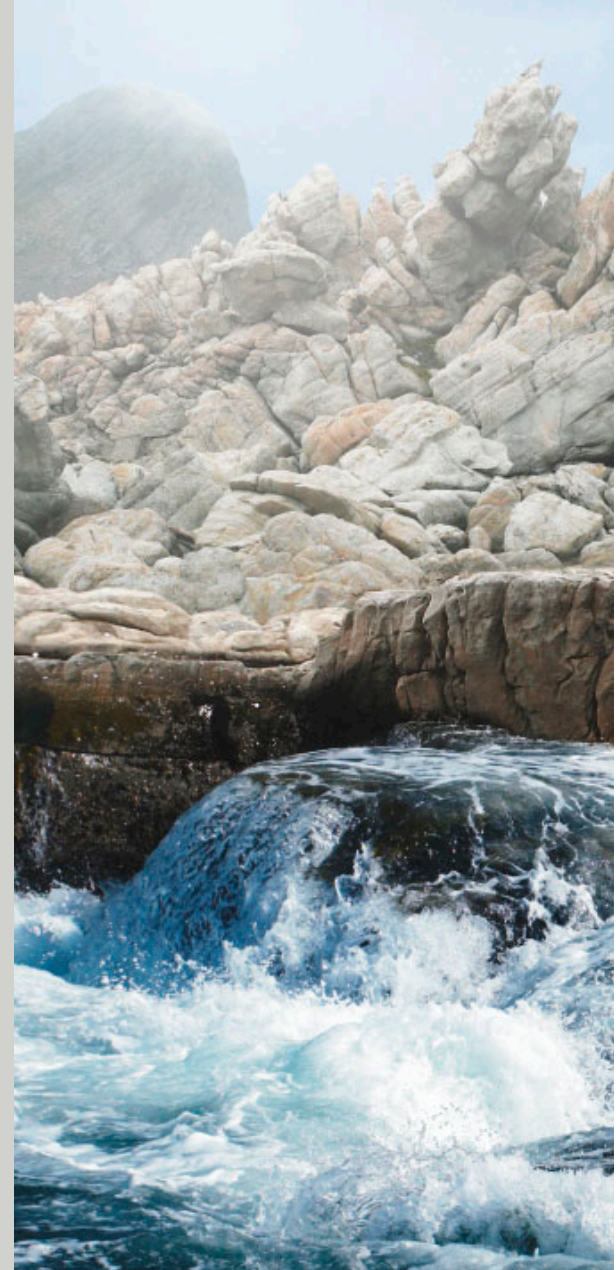
ronment, the E 200 NGT also benefits your budget, as natural gas is significantly more economical than conventional petrol or diesel fuel.

The E 200 NGT is available as a Saloon and is fitted as standard with a 5-speed automatic transmission.



Tank flap

From the outside there isn't much to tell the E 200 NGT apart from a conventional model. Behind the fuel flap however are two fuel fillers: the familiar one for petrol and a special natural gas filler connection for safe and convenient refuelling





We've stepped up a gear or two. Putting our technology even further ahead

The E-Class manual and automatic transmissions

A six-speed manual transmission is standard on the four-cylinder models and on the E 280 CDI and the E 280. Its precise, short-throw action, and optimal matching of engine power, transmission ratios and final drive ratio, make it ideal for sporty yet fuel-efficient driving.

The 4MATIC models are equipped as standard, and the four-cylinder models optionally, with a 5-speed automatic transmission. For sportier shifting however, you can simply nudge the selector lever to the left or right to go manually up or down the range.

State-of-the-art transmission technology is also offered by the 7G-TRONIC 7-speed auto-

matic transmission. The seven forward speeds provide a larger ratio spread between the highest and the lowest gears while at the same time the ratios are also more closely spaced, keeping engine speed constantly at an optimum and making the gear changes virtually imperceptible. The ability to skip several gears when downshifting provides faster mid-range acceleration. The 7G-TRONIC is standard on the E 320 CDI, E 420 CDI, E 350, E 500 and E 63 AMG and optional for the E 280 CDI and E 280.

The optional sports package includes steering-wheel shift paddles for racing-style manual shifting on vehicles with automatic transmission.



Selector lever

The automatic transmission can also be shifted manually, by simply nudging the selector lever either to the left or to the right

7G-TRONIC

Incorporates more than
40 years' experience
building over eleven
million automatic trans-
missions



How to combine a comfortable ride with great dynamism. And vice versa

There's method behind the dynamics of the E-Class

The E-Class's standard-fitted DIRECT CONTROL package gives you more driving enjoyment, particularly through corners, with no loss of ride comfort. More direct steering and reduced pitch and roll help to create a more agile driving experience.

All this can be taken to an even higher level with AIRMATIC DC air suspension. AIRMATIC DC uses the Adaptive Damping System ADS to automatically reduce body roll when cornering. If the sensors detect a sporty driving style, the comfortable default suspension setting is automatically firmed up. AIRMATIC DC is combined

with all-round self-levelling suspension, which maintains a constant ride height even when the vehicle is fully laden, for greater stability and improved handling. At high speeds – above approximately 140 km/h – the body is automatically lowered by about 15 millimetres to reduce roll and pitch. When the speed drops below about 70 km/h again, the body is automatically raised to its normal level.

AIRMATIC DC is standard on the E 420 CDI, the E 500, the E 500 4MATIC and the E 63 AMG, and is optional for the other models.



ADS

The Adaptive Damping System ADS electronically adjusts the shock absorber forces to reduce roll and pitch







S 0J 9885

The E-Class makes the best of bad weather

The 4MATIC all-wheel-drive system – dependable traction in the wet, on ice or in snow

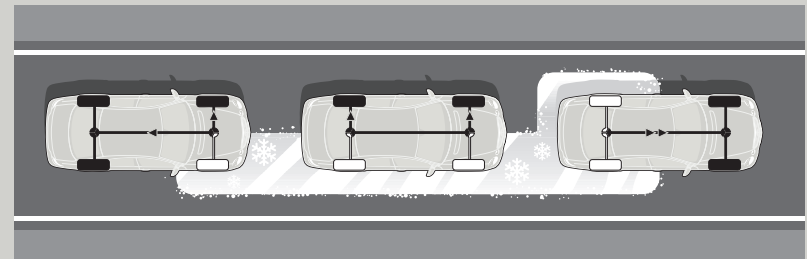
4MATIC full-time all-wheel drive provides optimal traction whatever the road surface. It splits the engine power in a ratio of 40 %:60% between the front and the rear wheels – for 100 % road-holding.

For maximum active safety and handling control, the 4MATIC full-time all-wheel drive works in close tandem with the Electronic Stability Program ESP® and the Electronic Traction System 4ETS. If one or more wheels lose grip,

4ETS applies precisely controlled amounts of braking pressure to allow powerful starting-off and acceleration – however bad the weather and road surface conditions.

4MATIC is available for the E 280 CDI and E 320 CDI diesel models and for the E 280, E 350 and E 500 petrol models. All 4MATIC models are also equipped as standard with a 5-speed automatic transmission.

4ETS
The Electronic Traction
System automatically
transfers the drive to the
wheels with most grip





You don't have to be a racing driver. Or at least not before you drive this car

Motorsport ethos in standard-production vehicles: Mercedes-AMG

From its early days operating out of a small garage, back in 1968, AMG has gone on to become one of the world's most successful performance car manufacturers. Though AMG is best known for its touring cars, which have taken all before them on the racing tracks of Europe, its passion extends well beyond the racetrack. Mercedes-AMG models make a habit of turning heads on ordinary roads as well.

At the heart of every Mercedes-AMG is a high-performance engine. But that's only part of the story. The sound it makes, its braking system, its styling and interior design – everything about a Mercedes-AMG evokes the thrill of motorsport. Because the AMG engineers still bring the same sporting ambition to their job as they did in 1968.

One man, one engine
Every AMG high-performance engine is hand-assembled by a single engineer, who also vouches for its quality by inscribing his name on it. This signature is an assurance of meticulous workmanship and precision engineering at every step of the manufacturing process



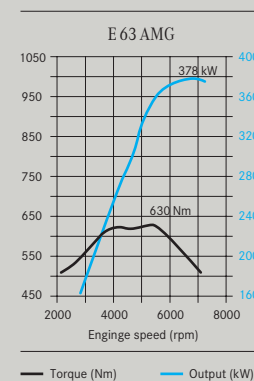


The Saloon among sports cars

The E 63 AMG with a 378 kW (514 hp) AMG 6.3-litre V8 engine

The most powerful E-Class comes courtesy of the Mercedes-AMG motorsport experts. The new E 63 AMG has an output of 378 kW (514 hp) and accelerates from 0 to 100 km/h in just 4.5 seconds. But because an E 63 AMG is rarely known to stand still, a maximum torque of 630 Nm ensures that acceleration from any other speed is an equally breathtaking experience. The driving pleasure is further enhanced

by the AMG SPEEDSHIFT 7G-TRONIC, whose three transmission modes give you a choice between comfortable, sporty and manual shifting. In manual mode you change gear using AMG steering-wheel shift paddles. This feature, together with the AMG high-performance braking system and the AMG sports suspension, are all evidence of the E 63 AMG's close connections with the world of motorsport.



E 63 AMG

Worthy of a sports car - it's not often you can savour engine performance like this in such comfortable surroundings



In this sport, the highest accolade is silver

The E 63 AMG is styled to excite – inside and out

In visual terms too, the new E 63 AMG cuts a dashing figure: the AMG bodystyling consists of a front apron specially designed for this model, with side air outlets and circular, chrome-ringed fog lamps, a rear apron (with a black insert) and side skirts. The Saloon also features an AMG spoiler lip on the boot lid. Also exclusively reserved to the E 63 AMG are an AMG sports exhaust with two chromed twin tailpipes and 18-inch AMG 5-spoke light-alloy wheels, painted

in high-shine titanium grey, with size 245/40 R 18 (front) and 265/35 R 18 (rear) tyres.

In the exclusive interior of the E 63 AMG high-quality nappa leather appointments await, and AMG sports seats featuring Alcantara inserts at shoulder level. There's an AMG ergonomic sports steering wheel, with aluminium shift paddles, to help you keep the E 63 AMG firmly under control, and the selector lever is trimmed in fine leather and Alcantara. Combined, these various

features – including the RACETIMER in the AMG instrument cluster – assure an exciting motor racing atmosphere on board.

The thrill of AMG can also be experienced in other V6 and V8 E-Class models – with the AMG sports package or with optional 18-inch light-alloy wheels.

AMG braking system with composite brake discs



AMG ergonomic sports steering wheel and AMG instrument cluster





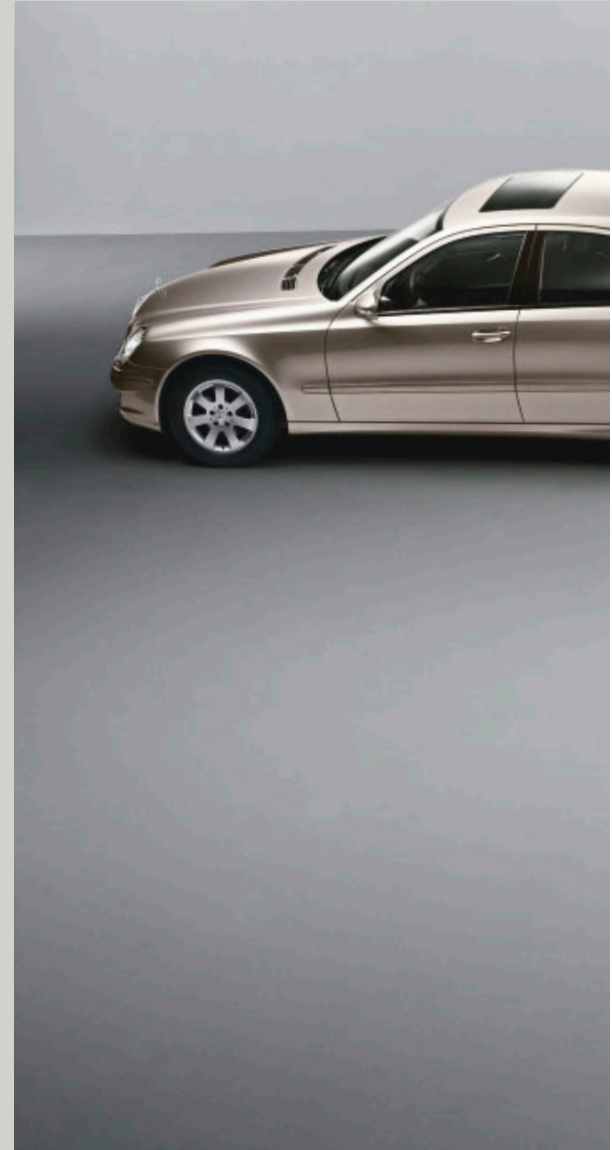
My E-Class



The E-Class has lots of personality. Or should we say personalities

The CLASSIC, ELEGANCE and AVANTGARDE equipment lines

Make sure your E-Class has the personality that's right for you - when you select one of the three different equipment lines. The CLASSIC line is poised and well-rounded. The E-Class ELEGANCE stresses elegant design themes, with its numerous chromed styling parts, burr walnut trim and exceptional interior refinement. The AVANTGARDE E-Class meanwhile puts more emphasis on the sporty side of the E-Class. It has a slightly lower-slung chassis and many features both outside and in follow a bold, sporty theme.





E-Class through and through

CLASSIC equipment line - exterior

Poised, well-rounded design down to the smallest detail. That sums up the E-Class CLASSIC. All design elements have been carefully and lovingly coordinated. The 16-inch 7-spoke light-alloy wheels are painted in titanium silver.

Equally dynamic: the front apron with integral fog lamps, the rear apron and the side skirts. The fine chrome inlay on the radiator grille, in silk gloss stone grey, is one indication of the upscale style and tone of the E-Class CLASSIC.

7-spoke light-alloy wheels



New front apron and standard headlamps







Eucalyptus wood trim



Black Avignon fabric



CLASSIC equipment line - interior

Inside, too, the E-Class CLASSIC lives up to its name. The interior features Avignon fabric in a choice of black or sierra grey. Optionally, both of these colours are also available in leather or in ARTICO man-made leather. The wood trim is made from fine eucalyptus - and creates a particularly warm and pleasant ambience.

The E-Class for special occasions

ELEGANCE equipment line - exterior

The elegance of the E-Class ELEGANCE is underlined by 11-spoke light-alloy wheels, measuring 16 or 17 inches depending on the model. The radiator grille is finished in glossy atlas grey, and the bumper features integral

chrome inlays in the rub strips and chrome-ringed fog lamps. Fine chrome trim strips can also be found on the door handles - together with the side skirts they give the E-Class ELEGANCE a sportily elegant silhouette.

11-spoke light-alloy wheels



Rub strip with chrome inlay







Burr walnut trim



Black Orléans fabric



ELEGANCE equipment line - interior

Elegance comes naturally to the E-Class – and the E-Class ELEGANCE accentuates it to perfection. Inside, this theme continues with the distinctively designed seats, in black or sierra grey Orléans fabric upholstery. High-quality burr walnut and fine chrome highlights play a key role as well. As an option the seats can be upholstered in ARTICO man-made leather, genuine leather or fine nappa leather – each is available in black, cashmere beige or sierra grey. The steering wheel in the ELEGANCE equipment line is trimmed with leather as standard, while heated and wood/leather versions are available as options.

Sporty. Dynamic. Active. Seeks driver with similar interests

AVANTGARDE equipment line - exterior

In the AVANTGARDE line you see an E-Class that's a car's length ahead of its time. The broad, black gloss radiator louvres give the front end a particularly distinctive look. On either side, the bumper trim features two chromed louvres flanking chrome-ringed fog

lamps. The AVANTGARDE line includes 5-twin-spoke light-alloy wheels, measuring 16 or 17 inches depending on the model. The dynamic quality they evoke is given even more emphasis by the lower-slung chassis, which has been dropped by 15 mm.

5-spoke light-alloy wheels



Bumper trim and chrome-ringed fog lamp







Bird's-eye maple trim



Optional black/cognac brown leather upholstery



AVANTGARDE equipment line - interior

Inside, too, the E-Class AVANTGARDE exudes confidence and style. The seats are upholstered in a combination of Biarritz fabric and ARTICO man-made leather. Whether in black or sierra grey, they harmonise perfectly with the bird's-eye maple interior trim. Leather seats are available as an option, in the exclusive colours and colour combinations black, cashmere beige, sierra grey, black/sahara beige and black/cognac brown. Another available option is high-quality nappa leather in black, cashmere beige or sierra grey.

| | <i>CLASSIC</i> | <i>ELEGANCE</i> | <i>AVANTGARDE</i> |
|---------------------------------------------------------------------|-----------------------------------|-------------------------------------|-------------------------------------|
| Bumpers and side panels | Body colour | Body colour with chrome trim strips | Body colour with chrome trim strips |
| Door handles | Body colour | Body colour with chrome inlays | Body colour with chrome inlays |
| Headlamps | Clear-lens halogen headlamps | Clear-lens halogen headlamps | Clear-lens bi-xenon headlamps |
| Illuminated stowage compartment in centre console | – | <input type="checkbox"/> | <input type="checkbox"/> |
| Instruments/dials | Black | Black, chrome-ringed | White, chrome-ringed |
| Interior mirror and left-hand exterior mirror automatically dimming | – | <input type="checkbox"/> | <input type="checkbox"/> |
| Radiator grille | 4 louvres, stone grey, silk gloss | 4 louvres, atlas grey, high-gloss | 4 louvres, black, high-gloss |
| Seat belts | Black | In upholstery colour | In upholstery colour |
| Steering wheel | Foam-padded, black | Leather, upholstery colour | Leather, upholstery colour |
| Tinted glass | Green | Green | Blue |
| Wheels | Light-alloy, 7-spoke | Light-alloy, 11-spoke | Light-alloy, 5-twin-spoke |

Standard – Not part of equipment package

EQUIPMENT LINES
Estate model in the luxurious ELEGANCE version and Saloon in the distinctive AVANTGARDE version







Your wishes are our command

The standard equipment and optional extras

The E-Class already comes with a long list of standard equipment, including air conditioning with automatic temperature control, a CD radio and cruise control with SPEEDTRONIC variable speed limiter.

The E-Class also aims to meet a wide range of more personal wishes as well. What wheels take your fancy? And what seat upholstery would you choose, in what colour? This brochure will help you decide. Browse through it at your leisure. And just give us a call if you need more information. Or come and check out the choices yourself. Together, we can decide on the car that best matches your style.

Customisation

Driving an E-Class has always been a pretty special experience. And we mean that quite literally. Because in spite of the large numbers built every year, virtually no two are ever the same. No wonder, given the almost unlimited equipment choices

Multifunction steering wheel



STANDARD EQUIPMENT (SELECTION)

3-point seat belts (5); front height-adjustable, rear with automatic belt-height adjustment (except centre rear)

ADAPTIVE BRAKE with hold function and hill start assist

Aero windscreen wipers, with one-touch wiper function and rain sensor with infinitely variable intermittent wipe function and two sensitivity settings

Anti-lock braking system (ABS)

ASSYST PLUS maintenance system with maintenance computer

Audio 20 CD radio with telephone keypad, 9 loudspeakers, integral radio aerial in rear windscreen or load compartment side window

Belt tensioners with two-stage belt-force limiters for driver and front passenger, single-stage for outer rear seats

Brake Assist (BAS)

Central locking with interior switch and crash sensor

Cruise control with SPEEDTRONIC variable speed limiter

Electronic immobiliser, incorporating ELCODE locking system with infrared remote control and visual lock confirmation

Electronic Stability Program (ESP®) with acceleration skid control (ASR)

Head restraints (5), crash-responsive NECK-PRO head restraints for driver and front passenger, folding head restraints in rear

Heated exterior mirrors, electrically adjustable, with aspherically curved mirror glass and integral indicators

Outside temperature display

Power steering (speed-sensitive steering for V6 and V8 models)

Power windows (4) with one-touch control and obstruction sensor

PRE-SAFE®

Rear armrest in upholstery colour, with compartment and cup holder

Rev counter

Steering column manually adjustable for height and reach

THERMATIC automatic climate control

Tinted glass all round, rear window in single-layer safety glass

Tyre pressure loss warning system

Audio 20 CD radio



Designer key



16 or 17-inch 5-twin-spoke light-alloy wheel



18-inch 10-twin-spoke light-alloy wheel



17-inch "Markab" multi-spoke incenio designer wheel



18-inch "Mekbuda" 5-spoke incenio designer wheel



18-inch AMG 5-spoke light-alloy wheel



There's nothing remarkable about four wheels. Unless you decide there should be

The E-Class light-alloy wheels

16 or 17-inch 5-twin-spoke light-alloy wheels are available as options. The sports package features 18-inch 10-twin-spoke light-alloy wheels, while the range of accessories for the E-Class includes exclusive 17-inch "Markab" multi-spoke incenio designer wheels and 18-inch "Mekbuda" 5-spoke incenio designer wheels.

18-inch 5-spoke AMG light-alloy wheels, painted in sterling silver, form part of the AMG sports package and are also available separately as an optional extra.

Panoramic glass roof (not available for Estate)



COMAND APS control and display system with DVD-based navigation system



KEYLESS-GO



| <i>OPTIONAL EXTRAS (SELECTION)</i> | <i>E 200 CDI</i> | <i>E 220 CDI</i> | <i>E 280 CDI</i> | <i>E 320 CDI</i> | <i>E 420 CDI</i> | <i>E 200 K</i> | <i>E 280</i> | <i>E 350</i> | <i>E 500</i> | <i>E 63 AMG</i> | <i>E 200 NGT</i> |
|-----------------------------------------------------------------------|------------------|------------------|------------------|------------------|------------------|----------------|--------------|--------------|--------------|-----------------|------------------|
| AIRMATIC DC semi-active air suspension | ● | ● | ● | ● | □ | ● | ● | ● | □ | □ | ● |
| Anti-theft alarm with tow-away protection | ● | ● | ● | ● | ● | ● | ● | ● | ● | ● | ● |
| Automatic transmission | ● | ● | ● | □ | □ | ● | ● | □ | □ | □ | □ |
| Auxiliary heater with remote control | ● | ● | ● | ● | ● | ● | ● | ● | ● | - | ● |
| DISTRONIC proximity control | ● | ● | ● | ● | ● | ● | ● | ● | ● | ● | ● |
| Dynamic multicontour seat | ● | ● | ● | ● | ● | ● | ● | ● | ● | ● | ● |
| Electrically folding exterior mirrors | ● | ● | ● | ● | ● | ● | ● | ● | ● | ● | ● |
| Glass tilting/sliding sunroof, electric, with rain sensor function | ● | ● | ● | ● | ● | ● | ● | ● | ● | ● | ● |
| harman/kardon LOGIC7® surround sound system | ● | ● | ● | ● | ● | ● | ● | ● | ● | ● | ● |
| Integral garage door opener in interior mirror | ● | ● | ● | ● | ● | ● | ● | ● | ● | ● | ● |
| Intelligent Light System | ● | ● | ● | ● | ● | ● | ● | ● | ● | ● | ● |
| LINGUATRONIC voice control system | ● | ● | ● | ● | ● | ● | ● | ● | ● | ● | ● |
| Luxury front seats heated and ventilated, with luxury head restraints | ● | ● | ● | ● | ● | ● | ● | ● | ● | ● | ● |

● Optional extra □ Standard - Not available

Screen in the rear



Fold-down bench seat in load compartment



| <i>OPTIONAL EXTRAS (SELECTION)</i> | E 200 CDI | E 220 CDI | E 280 CDI | E 320 CDI | E 420 CDI | E 200 K | E 280 | E 350 | E 500 | E 63 AMG | E 200 NGT |
|-------------------------------------------------------------------------|-----------|-----------|-----------|-----------|-----------|---------|-------|-------|-------|----------|-----------|
| Memory function for driver's seat, steering column and exterior mirrors | ● | ● | ● | ● | ● | ● | ● | ● | ● | □ | ● |
| Mobile phone with universal interface | ● | ● | ● | ● | ● | ● | ● | ● | ● | ● | ● |
| Multifunction steering wheel, heated | ● | ● | ● | ● | ● | ● | ● | ● | ● | - | ● |
| PARKTRONIC parking aid, with audible and visual alerts | ● | ● | ● | ● | ● | ● | ● | ● | ● | ● | ● |
| Rear seats with integrated child seats | ● | ● | ● | ● | ● | ● | ● | ● | ● | - | ● |
| Remote boot lid closing | ● | ● | ● | ● | ● | ● | ● | ● | ● | ● | ● |
| Sidebags in rear | ● | ● | ● | ● | ● | ● | ● | ● | ● | ● | ● |
| Ski bag | ● | ● | ● | ● | ● | ● | ● | ● | ● | ● | - |
| Sunblinds, electric for rear windscreen, manual for rear doors | ● | ● | ● | ● | ● | ● | ● | ● | ● | ● | ● |
| Through-loading facility, folding rear seat | ● | ● | ● | ● | ● | ● | ● | ● | ● | ● | - |
| Tinted and infrared-reflecting laminated glass | ● | ● | ● | ● | ● | ● | ● | ● | ● | ● | ● |
| Trailer coupling, manually folding | ● | ● | ● | ● | ● | ● | ● | ● | ● | - | ● |
| Tyre pressure monitoring system | ● | ● | ● | ● | ● | ● | ● | ● | ● | ● | ● |

● Optional extra □ Standard - Not available

EASY-PACK load-securing kit



Automatic tailgate



The difference others see and you can feel

Sports package and AMG sports package

Why not nurture the E-Class's sporting talents - with the optional sports package? It includes 18-inch alloy wheels with mixed-size tyres - 245/40 R 18 at the front and 265/35 R 18 at the rear - and moulded side skirts and front and

rear bumper trim. On the technical side, the sports package makes its mark with a lower-slung chassis and a powerful-sounding twin-pipe exhaust system with oval stainless steel tailpipes. And the larger brake system with

painted callipers and perforated front brake discs is not only handsome and eye-catching, the extra braking capacity is also very reassuring.

Sports package

A powerful conclusion: the twin-pipe exhaust system





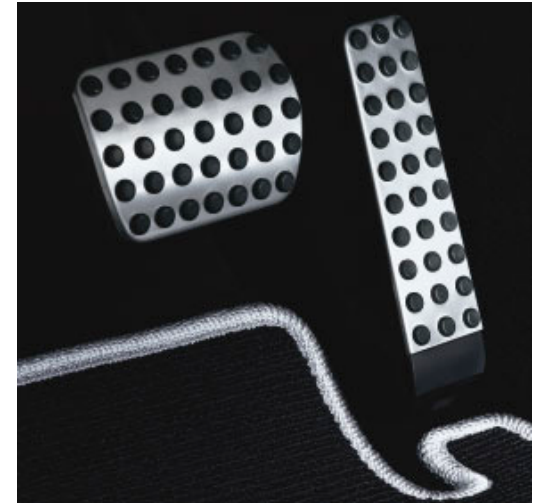


The sports package extends this punchy feel to the interior too. Vehicles with automatic transmission come with steering-wheel shift paddles so you can change gear manually whenever you want. The sports seats provide perfect support even at speed, and are upholstered in black ARTICO man-made leather upholstery.

The AMG sports package also includes AMG bodystyling, comprising dynamic front and rear aprons and chromed AMG tailpipes. Other exclusive features are 18-inch 5-spoke AMG light-alloy wheels painted in sterling silver and, inside, the AMG ergonomic sports steering wheel and AMG floor mats.

Sports package

Footwell appeal: studded, brushed stainless steel pedals, and floor mats with silver chain-stitching



AMG sports package

The AMG 18-inch alloy wheels and the dynamic front apron make a powerful team



designo



There's only so much we can tell you about designo. The rest you'll have to explore by touch and smell

designo – for refined requirements and exclusive tastes

designo offers a true feast for the senses. Once your eyes have taken in the many metallic paint finishes and the leather combinations, savour the scent of the fine leather and the touch of the silk matt sealed wood surfaces. But it's not just the quality and workmanship that make designo so unique, it's also the almost infinite range of combinations. They allow you to give your Mercedes-Benz a signature all its own – just as if you were furnishing your own home. Not surprising, therefore, that “at home” is exactly how you'll feel.

The seats and door centre panels can be trimmed in single-tone or two-tone leather in a choice of nine shades. The six-rib upholstery fluting, with elaborately stitched double lap seams, is exclusive to designo. designo leather upholstery also includes a black roof liner and a gearshift lever in black designo leather. Extended-specification designo leather also features black designo leather on the upper part of the instrument panel, below the windows on the doors and on the centre console armrest. For the wood trim you have a choice of designo umber maple grain, designo brown poplar or designo red brown cinnamora. As a special extra the roof liner can be finished in designo Alcantara.

Have we whetted your appetite? See the designo brochure for further details.

The E-Class interior in two-tone designo leather will meet even the highest expectations

designo in the E-Class

Colours and materials

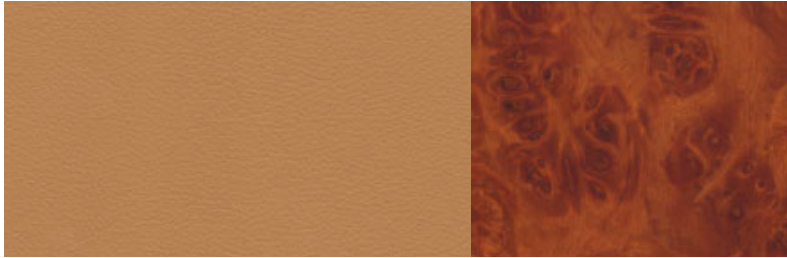
designo offers you an almost infinite range of choice. But to make matters a little easier, we have also put together two ready-compiled designo equipment packages for the Saloon.

designo Edition I includes single-tone designo leather in sand for the seats and door centre panels and coordinating trim in designo brown poplar.

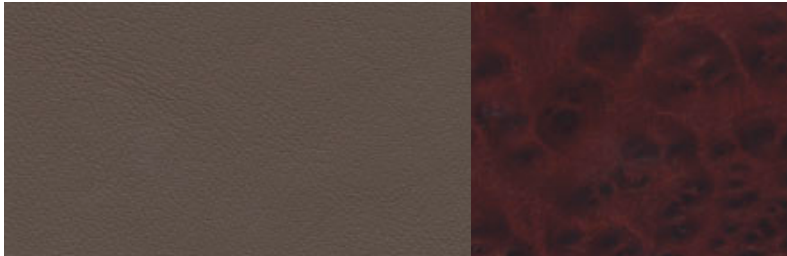
With designo Edition II the seats and door centre panels are trimmed in single-tone designo corteccia leather and the trim parts are in designo matt red brown cinnamora.

Both designo editions are rounded off with a roof liner in finest anthracite-coloured Alcantara.

designo Edition I: designo sand leather/designo brown poplar



designo Edition II: designo corteccia leather/designo matt red brown cinnamora



The designo badge: hallmark of quality and meticulous workmanship





Alustyle basic carrier bars with New Alustyle cycle rack



iPod® Interface Kit



Watch from the Mercedes-Benz Collection



What goes best with a Mercedes?

Mercedes-Benz technical and personal accessories, of course

Browse through our accessories range and you'll discover a wide selection of attractive – and attractively practical – articles, including safe and flexible cycle, ski and luggage rack systems.

Fit the Mercedes-Benz iPod® Interface Kit, an elegant and practical way of integrating your iPod® into the audio system, and you can spend many an enjoyable hour listening to your favourite music during a long journey. The Interface Kit is installed in the glove compartment, which gives you the added security that your iPod® remains out of view. Amongst other advantages of this system, you can use the multifunction steering wheel to navigate your playlists while on the move. Your current iPod® status can be displayed in the instrument cluster.

Of course, you don't even have to be a driver to enjoy Mercedes-Benz quality and design. The

Mercedes-Benz Collection's range of personal accessories includes luxurious and elegant watches, bags, clothing, writing instruments, children's articles and a wide selection of gifts.

You can find out more about the complete range of genuine accessories – and the Mercedes-Benz Collection – from our special brochures or from your Mercedes-Benz dealer.

Leather collection
Genuine Mercedes
quality and elegance:
star-quality leather bags







Colours and materials

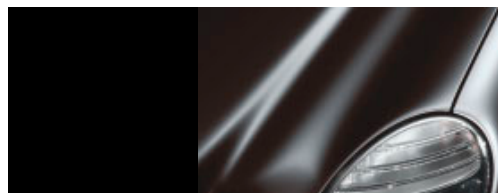
The irresistible beauty of a beautifully resistant finish

The extra-scratch-resistant clearcoat

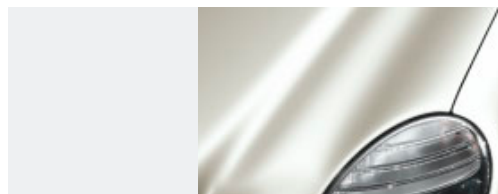
1934. The first Silver Arrow is probably the only Mercedes ever to have started out in life with less-than-perfect paintwork. When the Mercedes engineers put the newly developed W25 racing car on the scales during scrutineering before the Eifel Grand Prix at the Nürburgring in 1934, the 300 hp car turned out to weigh 751 kilograms – just one kilogram over the strict weight limit imposed by the international racing federation. “Well, that takes the shine off things”, mused Mercedes racing manager Alfred Neubauer – then realised he’d just put his finger on the solution. He promptly ordered the engineers to sand down the white paintwork, thus exposing the silver-coloured aluminium bodywork. This shed the necessary weight and the rest is history: Manfred von Brauchitsch won the race and it wasn’t long before the press were raving about the “Silver Arrows”, as they quickly dubbed them.

2005. Of course, things wouldn’t have been so easy for the team if their car had been sporting today’s latest paintwork from Mercedes-Benz. Because Mercedes-Benz has developed paintwork which is significantly more hard-wearing than previous clearcoats, for a more long-lasting and visibly more intense shine. The secret of this protective coat is the countless tiny ceramic particles (each less than one millionth of a millimetre in diameter) which are integrated in the paint binding agent. Both non-metallic and metallic paint finishes benefit from the more scratch-resistant clearcoat, which makes them less susceptible to environmental factors such as precipitation, sunlight, temperature variations, dust and soot.

NON-METALLIC PAINTS

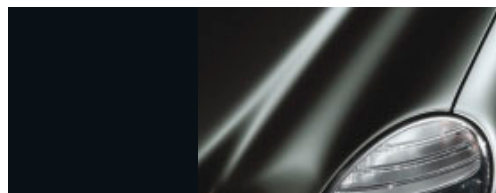


040 black

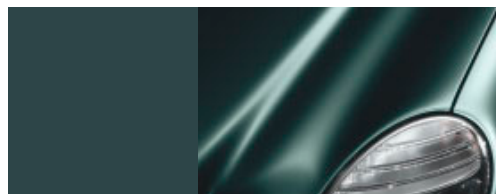


650 calcite white

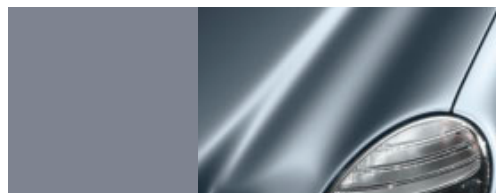
METALLIC PAINTS



197 obsidian black



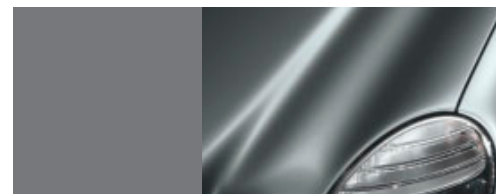
300 periclase green



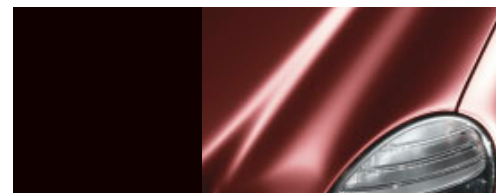
353 teallite blue



359 tanzanite blue



368 flint grey



544 carneol red

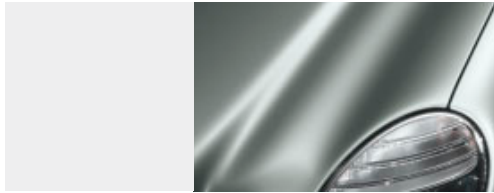
SPECIAL PAINT
(ELEGANCE and AVANTGARDE)



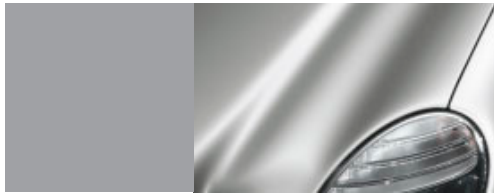
723 cubanite silver



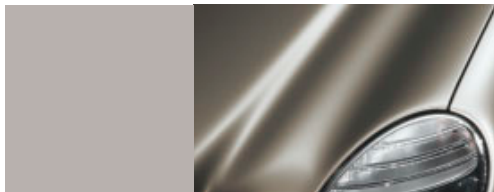
170 columbite black



747 perlite grey

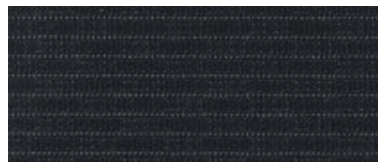


775 iridium silver

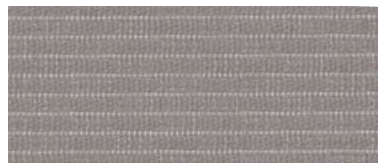


963 indium grey

CLASSIC
Avignon fabric

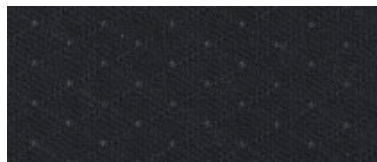


341 black



348 sierra grey

ELEGANCE
Orléans fabric

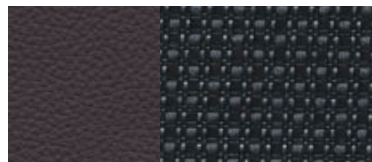


441 black

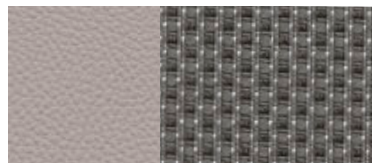


448 sierra grey

AVANTGARDE Biarritz fabric/
ARTICO man-made leather

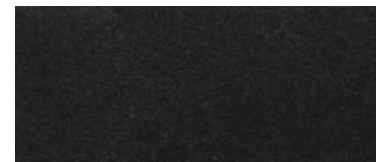


741 black

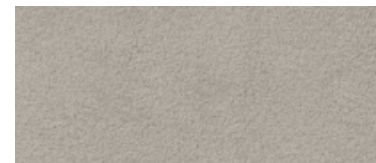


748 sierra grey

designo Alcantara roof liner
(ELEGANCE & AVANTGARDE)



Y83 anthracite Alcantara



Y87 etna grey Alcantara

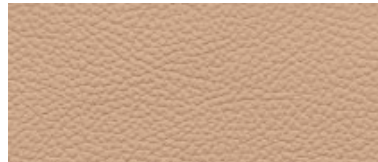


Y89 cashmere beige Alcantara

ARTICO MAN-MADE LEATHER
(CLASSIC, ELEGANCE & sports package)



141 black



144 cashmere beige¹

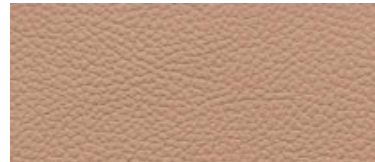


148 sierra grey²

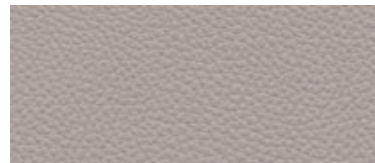
LEATHER (CLASSIC,
ELEGANCE & AVANTGARDE)



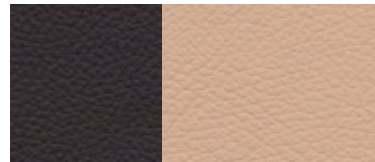
821 black



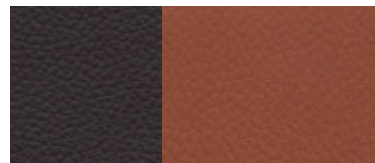
824 cashmere beige³



828 sierra grey



825 black/sahara beige⁴



827 black/cognac brown⁴

NAPPA LEATHER
(ELEGANCE & AVANTGARDE)



851 black³



854 cashmere beige³



858 sierra grey³

NAPPA LEATHER
(E 63 AMG)



851 black



854 cashmere beige



858 sierra grey

¹For ELEGANCE equipment line only

²For CLASSIC and ELEGANCE equipment lines only

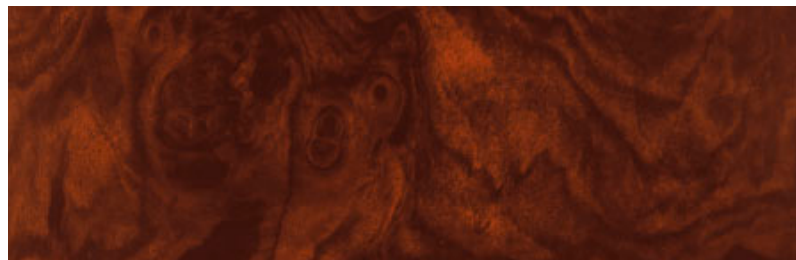
³For ELEGANCE and AVANTGARDE equipment lines only

⁴For AVANTGARDE equipment line only (roof liner in black)

WOOD



CLASSIC – eucalyptus



ELEGANCE – burr walnut



AVANTGARDE – black bird's-eye maple

designo WOOD
(Optional extra for ELEGANCE and AVANTGARDE)



W66 designo umber maple grain



W67 designo matt red brown cinnamora



W68 designo brown poplar

| | AVIGNON FABRIC (CLASSIC LINE) | | ORLEANS FABRIC (ELEGANCE LINE) | | BIARRITZ FABRIC/ (AVANTGARDE LINE) | | ARTICO MAN-MADE LEATHER | | | LEATHER | | | NAPPA LEATHER | | | | |
|--|-------------------------------|-------------|--------------------------------|-------------|---------------------------------------|-------------|-------------------------|----------------|-------------|---------|----------------|--------------------|--------------------|-------------|-------|----------------|-------------|
| | black | sierra grey | black | sierra grey | black | sierra grey | black | cashmere beige | sierra grey | black | cashmere beige | black/sahara beige | black/cognac brown | sierra grey | black | cashmere beige | sierra grey |

NON-METALLIC PAINTS

| | | | | | | | | | | | | | | | | | |
|---------------|---|---|---|---|---|---|---|---|---|---|---|---|---|---|---|---|---|
| black | ● | ● | ● | ● | ● | ● | ● | ● | ● | ● | ● | ● | ● | ● | ● | ● | ● |
| calcite white | ● | ● | ● | ● | ● | ● | ● | ○ | ● | ● | ○ | △ | ● | ● | ● | ○ | ● |

METALLIC PAINTS

| | | | | | | | | | | | | | | | | | |
|-----------------|---|---|---|---|---|---|---|---|---|---|---|---|---|---|---|---|---|
| obsidian black | ● | ● | ● | ● | ● | ● | ● | ● | ● | ● | ● | ● | ● | ● | ● | ● | ● |
| periclase green | ● | ○ | ● | ○ | ● | ○ | ● | ● | ○ | ● | ● | ○ | △ | ○ | ● | ● | ○ |
| teallite blue | ● | ○ | ● | ○ | ● | ○ | ● | △ | ○ | ● | △ | ○ | △ | ○ | ● | △ | ○ |
| tanzanite blue | ● | ● | ● | ● | ● | ● | ● | ○ | ● | ● | ○ | ● | ○ | ● | ● | ○ | ● |
| flint grey | ● | ● | ● | ● | ● | ● | ● | △ | ● | ● | △ | ○ | ○ | ● | ● | △ | ● |
| carneol red | ● | ● | ● | ● | ● | ● | ● | ○ | ● | ● | ○ | △ | △ | ● | ● | ○ | ● |
| cubanite silver | ● | ○ | ● | ○ | ● | ○ | ● | △ | ○ | ● | △ | ● | ○ | ○ | ● | △ | ○ |
| perlite grey | ● | ○ | ● | ○ | ● | ○ | ● | △ | ○ | ● | △ | △ | ○ | ○ | ● | △ | ○ |
| iridium silver | ● | ○ | ● | ○ | ● | ○ | ● | △ | ○ | ● | △ | ● | ○ | △ | ● | △ | ○ |
| indium grey | ● | △ | ● | △ | ● | △ | ● | ● | △ | ● | ● | ○ | △ | ● | ● | ● | △ |

SPECIAL PAINT

| | | | | | | | | | | | | | | | | | |
|-----------------|---|---|---|---|---|---|---|---|---|---|---|---|---|---|---|---|---|
| columbite black | ● | ● | ● | ● | ● | ● | ● | ● | ● | ● | ● | ● | ● | ● | ● | ● | ● |
|-----------------|---|---|---|---|---|---|---|---|---|---|---|---|---|---|---|---|---|

● Recommended ○ Possible △ Not recommended

| | <i>E 200 CDI</i> | <i>E 220 CDI¹</i> | <i>E 280 CDI</i> | <i>E 280 CDI 4MATIC</i> | <i>E 320 CDI</i> | <i>E 320 CDI 4MATIC</i> | <i>E 420 CDI</i> |
|------------------------------------------------------------------------------------|------------------------|------------------------------|----------------------------------|-----------------------------|-------------------------|-----------------------------|-------------------------|
| No. of cylinders/arrangement | 4/in-line | 4/in-line | 6/V | 6/V | 6/V | 6/V | 8/V |
| Total displacement (cc) | 2148 | 2148 | 2987 | 2987 | 2987 | 2987 | 3996 |
| Rated output ² (kW at rpm) | 100/3800 | 125/3800 | 140/4000 | 140/4000 | 165/3800 | 165/3800 | 231/3600 |
| Rated torque ² (Nm at rpm) (automatic transmission) | 340/2000 (340/2000) | 400/2000 (400/2000) | 400/1400-3200 (440/1400-2800) | - (440/1400-2800) | - (540/1600-2400) | - (510/1.600-2800) | - (730/2200) |
| Compression ratio | 17.5 | 17.5 | 17.7 | 17.7 | 17.7 | 17.7 | 16.7 |
| Acceleration 0-100 km/h (s) (automatic transmission) | 9.9 (9.9) | 8.4 (8.6) | 8.6 (7.6) | - (8.2) | - (6.8) | - (7.4) | - (6.1) |
| Top speed, approx. (km/h) (automatic transmission) | 214 (211) | 227 (225) | 241 (238) | - (234) | - (250) ⁴ | - (244) | - (250) ⁴ |
| Tyre size | | | | | | | |
| front | 205/60 R16 | 205/60 R16 | 225/55 R16 | 225/55 R16 | 225/55 R16 | 225/55 R16 | 245/45 R17 |
| rear | 205/60 R16 | 205/60 R16 | 225/55 R16 | 225/55 R16 | 225/55 R16 | 225/55 R16 | 245/45 R17 |
| Fuel | Diesel | Diesel | Diesel | Diesel | Diesel | Diesel | Diesel |
| Fuel consumption ⁵ (l/100 km) | | | | | | | |
| urban (automatic transmission) | 8.6 (9.0) | 8.7 (9.1) | 9.5-9.7 (10.1-10.4) | - (10.4-10.6) | - (10.3-10.6) | - (10.5-10.7) | - (13.2) |
| extra-urban (automatic transmission) | 5.0 (5.2) | 5.0 (5.4) | 5.4-5.6 (5.6-5.9) | - (6.3-6.5) | - (5.6-6.0) | - (6.4-6.6) | - (7.0) |
| combined (automatic transmission) | 6.3 (6.5) | 6.3 (6.7) | 6.9-7.1 (7.2-7.5) | - (7.8-8.0) | - (7.3-7.6) | - (7.9-8.1) | - (9.3) |
| CO ₂ emissions ⁵ (g/km) combined (automatic transmission) | 167 (173) | 167 (177) | 183-189 (191-199) | - (207-212) | - (194-202) | - (210-215) | - (246) |
| Tank capacity (l)/incl. reserve, approx. | 65/8 | 65/8 | 65/8 | 65/8 | 80/9 | 80/9 | 80/9 |
| Load capacity (l) | 540 | 540 | 540 | 540 | 540 | 540 | 530 |
| Turning circle diameter (m) | 11.4 | 11.4 | 11.4 | 11.5 | 11.4 | 11.5 | 11.4 |
| Kerb weight ⁶ (kg) | 1615 | 1615 | 1715 | 1840 | 1750 | 1845 | 1910 |
| Perm. GVW (kg) | 2140 | 2140 | 2240 | 2365 | 2275 | 2370 | 2435 |

| E 200 KOMPRESSOR | E 280 | E 280 4MATIC | E 350 | E 350 4MATIC | E500 | E 500 4MATIC | E 63 AMG |
|----------------------------------|----------------------------------|----------------------------|----------------------------|----------------------------|----------------------------|----------------------------|----------------------------|
| 4/in-line | 6/V | 6/V | 6/V | 6/V | 8/V | 8/V | 8/V |
| 1796 | 2996 | 2996 | 3498 | 3498 | 5461 | 5461 | 6208 |
| 135/5500 | 170/6000 | 170/6000 | 200/6000 | 200/6000 | 285/6000 | 285/6000 | 378/6800 |
| 250/3500-4000 (250/3500-4000) | 300/2500-5000 (300/2500-5000) | - (300/2500-5000) | - (350/2400-5000) | - (350/2400-5000) | - (530/2800-4800) | - (530/2800-4800) | - (630/5200) |
| 8.5 | 11.3 | 11.3 | 10.7 | 10.7 | 10.7 | 10.7 | 11.3 |
| 9.1 (9.4) | 7.3 (7.3) ³ | - (7.8) | - (6.9) ³ | - (7.1) | - (5.3) ³ | - (5.5) | - (4.5) |
| 236 (232) | 2504 (248) | - (244) | - (250) ⁴ | - (250) ⁴ | - (250) ⁴ | - (250) ⁴ | - (250) ⁴ |
| 205/60 R 16 205/60 R 16 | 205/60 R 16 205/60 R 16 | 205/60 R 16 205/60 R 16 | 225/55 R 16 225/55 R 16 | 225/55 R 16 225/55 R 16 | 245/45 R 17 245/45 R 17 | 245/45 R 17 245/45 R 17 | 245/40 R 18 265/35 R 18 |
| Premium | Premium | Premium | Premium | Premium | Premium | Premium | Super Plus |
| 11.7-12.2 (12.1-12.6) | 13.4-13.6 (13.5-13.8) | - (13.8-14.2) | - (14.0-14.4) | - (14.5-14.9) | - (16.9) | - (17.8) | - (22.3) |
| 6.3-6.7 (6.5-6.8) | 6.9-7.1 (7.0-7.3) | - (7.6-8.0) | - (7.2-7.8) | - (8.0-8.3) | - (8.2) | - (9.2) | - (9.8) |
| 8.2-8.8 (8.5-8.9) | 9.3-9.5 (9.4-9.7) | - (9.9-10.2) | - (9.7-10.2) | - (10.4-10.7) | - (11.5) | - (12.3) | - (14.3) |
| 195-210 (202-212) | 222-227 (224-232) | - (237-245) | - (231-244) | - (247-255) | - (273) | - (293) | - (341) |
| 65/8 | 65/8 | 65/8 | 80/9 | 80/9 | 80/9 | 80/9 | 80/14 |
| 540 | 540 | 540 | 540 | 540 | 530 | 530 | 530 |
| 11.4 | 11.4 | 11.5 | 11.4 | 11.5 | 11.4 | 11.5 | 11.4 |
| 1580 | 1660 | 1780 | 1690 | 1785 | 1785 | 1880 | 1840 |
| 2105 | 2185 | 2305 | 2215 | 2310 | 2310 | 2405 | 2365 |

¹Increased output in comparison with E 200 CDI is a result of changes to engine management

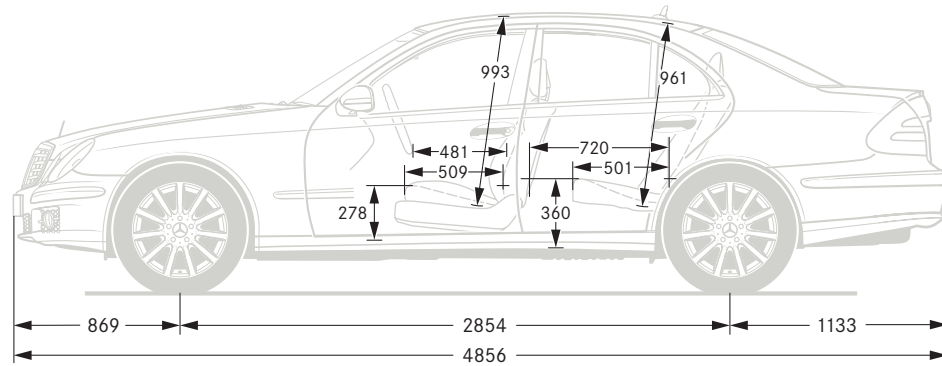
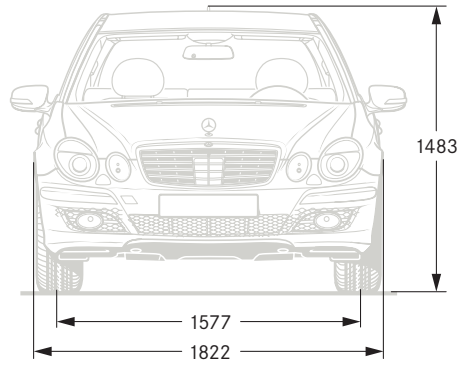
²Figures according to Directive 80/1269/EEC in the currently applicable version

³With optional extra sports package and automatic transmission, acceleration from 0 to 100 km/h in Manual mode is 0.2 seconds faster

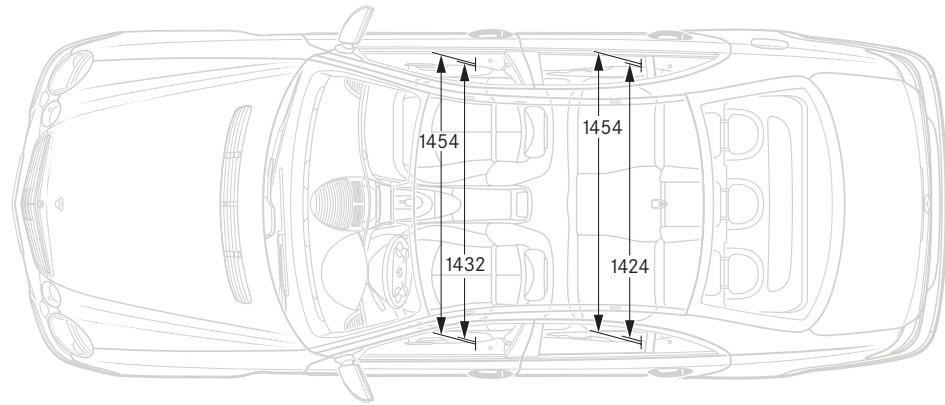
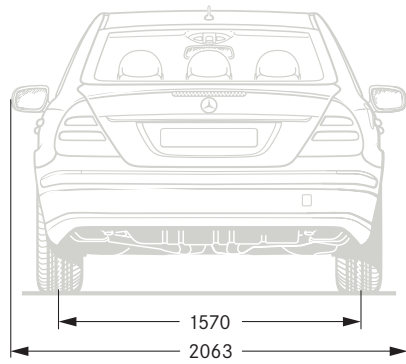
⁴Electronically governed

⁵The figures shown were obtained in accordance with the prescribed measuring process (Directive 80/1268/EEC in the currently applicable version). The figures are not based on an individual vehicle and do not constitute part of the product offer; they are provided solely for purposes of comparison between different vehicle models

⁶Figures according to Directive 92/21/EC, version 95/48/EC (kerb weight with fuel tank 90 % full, driver, 68 kg, and luggage, 7 kg) for standard-specification vehicles. Optional extras and accessories will generally increase this figure and reduce the payload capacity accordingly



All measurements in millimetres. The dimensions shown are mean values and apply to standard-specification, unladen vehicles.



Would you like to know more about this car? An interactive Owner's Manual is available at www.mercedes-benz.de/betriebsanleitung/e-klasse

| | <i>E 220 CDI</i> | <i>E 280 CDI</i> | <i>E 280 CDI 4MATIC</i> | <i>E 320 CDI</i> | <i>E 320 CDI 4MATIC</i> |
|------------------------------------------------------------------------------------|------------------------|----------------------------------|-----------------------------|----------------------|-----------------------------|
| No. of cylinders/arrangement | 4/in-line | 6/V | 6/V | 6/V | 6/V |
| Total displacement (cc) | 2148 | 2987 | 2987 | 2987 | 2987 |
| Rated output ¹ (kW at rpm) | 125/3800 | 140/4000 | 140/4000 | 165/3800 | 165/3800 |
| Rated torque ¹ (Nm at rpm) (automatic transmission) | 400/2000 (400/2000) | 400/1400–3200 (440/1400–2800) | – (440/1400–2800) | – (540/1600–2400) | – (510/1600–2800) |
| Compression ratio | 17.5 | 17.7 | 17.7 | 17.7 | 17.7 |
| Acceleration 0–100 km/h (s) (automatic transmission) | 9.1 (9.1) | 9.1 (8.2) | – (9.0) | – (7.3) | – (8.1) |
| Top speed, approx. (km/h) (automatic transmission) | 218 (218) | 231 (230) | – (226) | – (240) | – (236) |
| Tyre size | | | | | |
| front | 225/55 R 16 | 225/55 R 16 | 225/55 R 16 | 225/55 R 16 | 225/55 R 16 |
| rear | 225/55 R 16 | 225/55 R 16 | 225/55 R 16 | 225/55 R 16 | 225/55 R 16 |
| Fuel | Diesel | Diesel | Diesel | Diesel | Diesel |
| Fuel consumption ⁴ (l/100 km) | | | | | |
| urban (automatic transmission) | 9.6 (9.8) | 10.0–10.2 (10.6–11.0) | – (10.9–11.5) | – (10.6–11.0) | – (11.0–11.6) |
| extra-urban (automatic transmission) | 5.6 (5.9) | 5.6–5.8 (5.9–6.4) | – (6.7–6.8) | – (5.9–6.4) | – (6.8–6.9) |
| combined (automatic transmission) | 7.1 (7.3) | 7.2–7.4 (7.6–8.1) | – (8.2–8.5) | – (7.6–8.1) | – (8.3–8.6) |
| CO ₂ emissions ⁴ (g/km) combined (automatic transmission) | 188 (194) | 191–196 (202–215) | – (218–226) | – (202–215) | – (220–228) |
| Tank capacity (l)/incl. reserve, approx. | 70/8 | 70/8 | 70/8 | 80/9 | 80/9 |
| Load capacity (l) | 690 | 690 | 690 | 690 | 690 |
| Turning circle diameter (m) | 11.4 | 11.4 | 11.5 | 11.4 | 11.5 |
| Kerb weight ⁵ (kg) | 1785 | 1845 | 1965 | 1885 | 1980 |
| Perm. GVW (kg) | 2360 | 2420 | 2540 | 2460 | 2555 |

| E 200 KOMPRESSOR | E 280 | E 280 4MATIC | E 350 | E 350 4MATIC | E 500 | E 500 4MATIC | E 63 AMG |
|-----------------------------------------------------------------|------------------------------------------------------------------|-----------------------------------------------|----------------------------------------------|-----------------------------------------------|---------------------------------|---------------------------------|---------------------------------|
| 4/R | 6/V | 6/V | 6/V | 6/V | 8/V | 8/V | 8/V |
| 1796 | 2996 | 2996 | 3498 | 3498 | 5461 | 5461 | 6208 |
| 135/5500 | 170/6000 | 170/6000 | 200/6000 | 200/6000 | 285/6000 | 285/6000 | 378/6800 |
| 250/3500-4000 (250/3500-4000) | 300/2500-5000 (300/2500-5000) | - (300/2500-5000) | - (350/2400-5000) | - (350/2400-5000) | - (530/2800-4800) | - (530/2800-4800) | - (630/5200) |
| 8.5 | 11.3 | 11.3 | 10.7 | 10.7 | 10.7 | 10.7 | 11.3 |
| 9.5 (9.7) | 8.1 (7.9) ² | - (8.3) | - (7.1) ² | - (7.4) | - (5.4) ² | - (5.7) | - (4.6) |
| 225 (222) | 246 (238) | - (232) | - (250) ³ | - (245) | - (250) ³ | - (250) ³ | - (250) ³ |
| 225/55 R 16 225/55 R 16 | 225/55 R 16 225/55 R 16 | 225/55 R 16 225/55 R 16 | 225/55 R 16 225/55 R 16 | 225/55 R 16 225/55 R 16 | 245/45 R 17 245/45 R 17 | 245/45 R 17 245/45 R 17 | 245/40 R 18 265/35 R 18 |
| Premium | Premium | Premium | Premium | Premium | Premium | Premium | Super Plus |
| 12.4-12.6 (12.9-13.0) 6.7-7.0 (6.9-7.4) 8.9-9.1 (9.2-9.4) | 13.7-13.9 (13.8-14.1) 7.2-7.4 (7.3-7.6) 9.6-9.8 (9.7-10.0) | - (14.3-14.6) - (8.0-8.3) - (10.3-10.6) | - (14.1-14.6) - (7.5-8.0) - (9.9-10.4) | - (14.7-15.3) - (8.3-8.5) - (10.6-11.0) | - (17.3) - (8.5) - (11.8) | - (18.2) - (9.5) - (12.6) | - (22.6) - (9.9) - (14.5) |
| 212-217 (219-224) | 229-234 (232-239) | - (246-253) | - (236-248) | - (253-261) | - (280) | - (300) | - (345) |
| 70/8 | 70/8 | 70/8 | 80/9 | 80/9 | 80/9 | 80/9 | 80/14 |
| 690 | 690 | 690 | 690 | 690 | 670 | 670 | 670 |
| 11.4 | 11.4 | 11.5 | 11.4 | 11.5 | 11.4 | 11.5 | 11.4 |
| 1720 | 1785 | 1905 | 1810 | 1910 | 1895 | 1990 | 1955 |
| 2295 | 2360 | 2480 | 2385 | 2485 | 2460 | 2535 | 2460 |

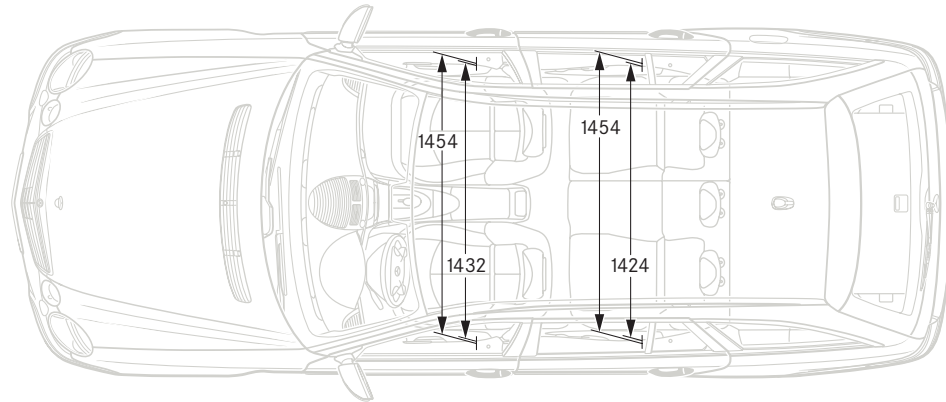
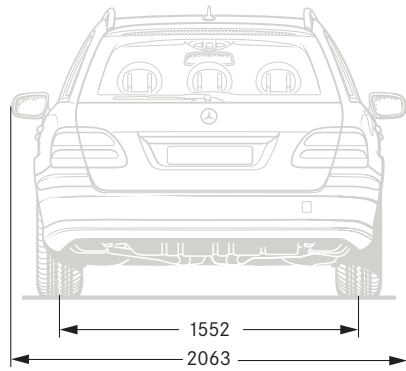
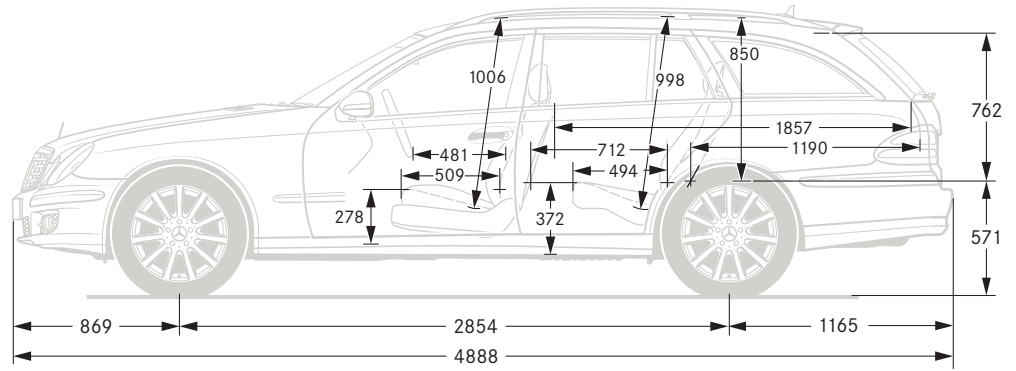
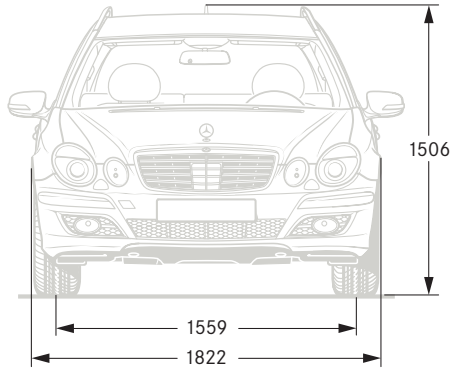
¹ Figures according to Directive 80/1269/EEC in the currently applicable version

² With optional extra sports package and automatic transmission, acceleration from 0 to 100 km/h in Manual mode is 0.2 seconds faster

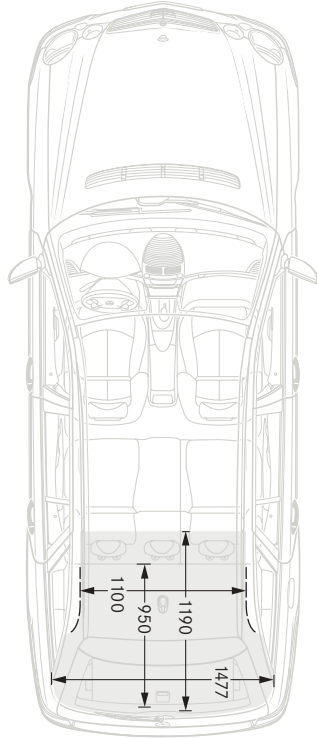
³ Electronically governed

⁴ The figures shown were obtained in accordance with the prescribed measuring process (Directive 80/1268/EEC in the currently applicable version). The figures are not based on an individual vehicle and do not constitute part of the product offer; they are provided solely for purposes of comparison between different vehicle models

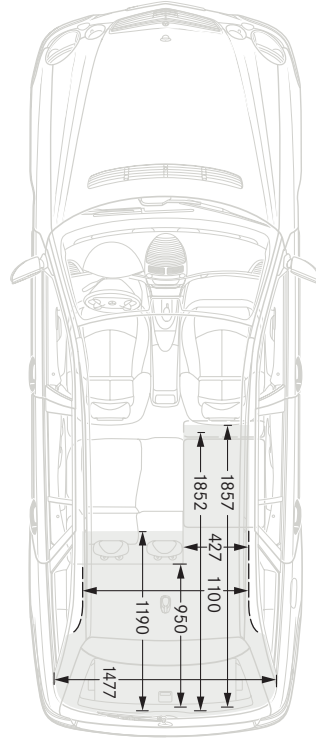
⁵ Figures according to Directive 92/21/EC, version 95/48/EC (kerb weight with fuel tank 90 % full, driver, 68 kg, and luggage, 7 kg) for standard-specification vehicles. Optional extras and accessories will generally increase this figure and reduce the payload capacity accordingly



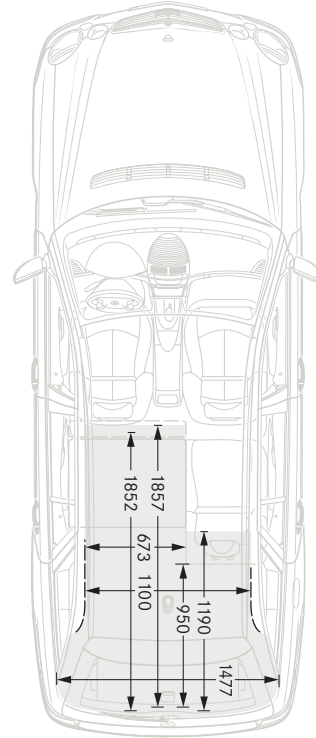
All measurements in millimetres. The dimensions shown are mean values and apply to standard-specification, unladen vehicles.



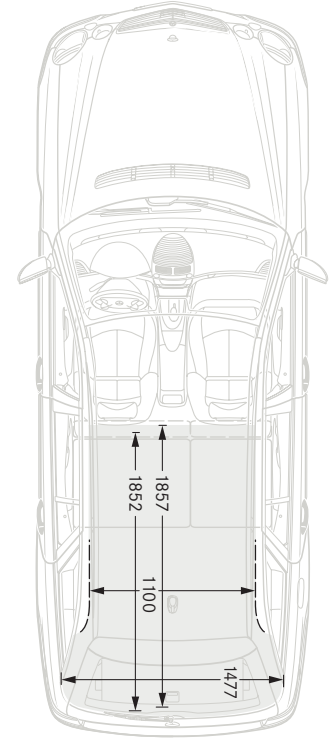
5 seats



4 seats



3 seats



2 seats



PROTEA ASSURANCE
BUILDING

Jewel Jewellers

PLANET

AutoBank

S80



Following the star

The world of Mercedes-Benz: our Centres, our sales and service outlets, the Museum and the MercedesCard

Mercedes-Benz Centres – never far away
When the first Mercedes-Benz Centre opened in late 2000 in Berlin, it took the concept of the car dealership to a whole new level. When you visit a Mercedes-Benz Centre, you can browse and admire the complete range of Mercedes-Benz models and technical and personal accessories – or attend numerous events. In the meantime Centres have opened in many large European cities. All of them allow you to experience this legendary brand at first hand.

But you don't have to visit a city to enjoy Mercedes-Benz service and the fascinating world of Mercedes-Benz – thanks to an extensive network of sales and service outlets and dealerships, all of them offering you a wide variety of services, comprehensive support and the quality you expect of Mercedes-Benz. Before, during and long, long after buying your Mercedes.

Mercedes-Benz Museum

120 years of automotive history have now been brought together under one roof – at the newly opened Mercedes-Benz Museum in Stuttgart-Untertürkheim. Entering the exhibition area, with a total floorspace of 16,500 m², visitors find themselves in a fascinating world where they

can admire the first car of modern design, the Mercedes Simplex, be reminded of more than 100 years of motorsport history and admire our evergreen classics. Cars like the gull-wing model or the tail-fin model have won themselves a place not just in the hearts of car-lovers – but also in the Mercedes-Benz Museum.

We look forward to welcoming you.



MercedesCard

You don't have to be sitting at the wheel to enjoy the Mercedes experience. Owning a MercedesCard is all it takes. It acts as your ticket to the world of Mercedes-Benz and doubles as a handy credit card. And if you complete the annual questionnaire, there's no fee to pay either.

The MercedesCard Journal regularly provides details of interesting products and a selection of sporting, cultural and travel events, put together especially for you. And there's also our Mercedes magazine, with fascinating reports about the Mercedes-Benz brand. The MercedesCard holders also automatically participate in our Mercedes-Benz Road Miles rewards programme. And as well as all these exciting features, there are reassuring ones as well – like the extensive cover provided by the Mercedes-Benz and MercedesCard insurance packages.

For more information on all these offers, and application forms, visit:

www.mercedes-benz.de/mercedescard

Information about the MercedesCard in Austria and Switzerland can be found on the national Mercedes-Benz websites.

Succumb to seduction. Take a test drive

Test drive

As with all our models, it's that unique feeling you get when you actually drive a Mercedes that makes it so special. The little things like the action of the direction indicators or the satisfying way the doors close. These are the sort of thing you can't find out from a brochure but only by taking a test drive. You're cordially invited. To locate your nearest Mercedes-Benz dealer, visit our website at www.mercedes-benz.com. Your dealer will be happy to arrange an appointment.

Interactive Owner's Manual

Our website provides information clips and simulations (in German) which will walk you through the various features and functions of the E-Class. Check out technical details, operating information and the interior convenience features which make this vehicle such a joy to drive.

Everything else you can find out by visiting:
www.mercedes-benz.de/betriebsanleitung/e-klasse



The convenience of a Mercedes goes further than you think

MobiloLife roadside assistance and financial services from DaimlerChrysler Bank

MobiloLife

With MobiloLife, our mobility and warranty package, you can expect years of care-free driving. Whether you have lost your key, are having problems starting the car or have had a breakdown which cannot be repaired immediately, the package ensures that you reach your destination, anywhere in the European Union. Under certain circumstances we will even meet the cost of an airline ticket. But don't get too excited – after all, it's rare for a Mercedes to break down. Just call Mercedes-Benz on 00800 1 777 7777 from almost any European terrestrial or mobile network and our Service 24h team will assist you in your own language. They are there for you round the clock, 365 days a year. MobiloLife will also help if you bring your car in for larger warranty or policy repairs. MobileLife is valid for a period of two years after initial registration. Its validity is extended every time your vehicle is serviced at a Mercedes-Benz service centre and remains valid until the next service is due. For up to 30 years. For more information on MobiloLife, please see your vehicle documents.

DaimlerChrysler Bank

If you have already set your heart on your dream Mercedes and want to remain flexible in financial terms, our financial service products could be exactly what you're looking for. We offer you a one-stop source for everything from leasing and financing to insurance or service modules. Check out the online calculator to work out your monthly payments.

In addition to individually geared financial services, we also offer you attractive investment products, including an instant-access deposit account, a fixed-interest account or portfolio funds. For further information phone 01803-DC BANK or 01803-32 2265 (9ct per min) or visit www.daimlerchrysler-bank.com



Take-back of end-of-life vehicles. Coming full circle

At the end of its long life, you can return your Mercedes-Benz passenger car to us for environment-friendly disposal in accordance with the EC End-Of-Life Vehicle Directive¹. But that day lies a long way off.

¹Applies in accordance with national regulations to vehicles up to 3.5 t permissible gross weight. Mercedes-Benz passenger cars have met the statutory regulations governing the suitability of the vehicles' design for reuse and recycling for a number of years now. A network of vehicle take-back depots and dismantlers has been established which will process your vehicle in an environment-friendly manner. The ways in which both vehicles and parts can be recovered are subject to ongoing development and improvement. Consequently, Mercedes-Benz passenger cars will be able to comply with any future increases in the recycling quota within the stipulated time limits. For further information, please call 00800 1 777 7777.

Please note: changes may have been made to the products since this brochure went to press (31.03.2006). The manufacturer reserves the right to make changes to the design, form, colour and specification during the delivery period, provided these changes, while taking into account the interests of the vendor, can be deemed reasonable with respect to the purchaser. Where the vendor or the manufacturer uses symbols or numbers to describe an order or the subject of an order, no rights may be derived solely from these. The illustrations may show accessories and items of optional equipment which are not part of standard specification. Colours may differ slightly from those shown in the brochure, owing to the limitations of the printing process. This brochure has been compiled by DaimlerChrysler AG of Germany and is distributed internationally. It provides a general indication of the range of models, features, optional extras and/or colours available in various countries. Some of the models, features, optional extras and/or colours shown may not be available in your country or may only be available in a different specification. Additionally some models, features, optional extras and/or colours may only be available in combination with others. For current and more specific information in relation to the range of models, features, optional extras and/or colours available in your country, and their pricing, you should contact your nearest authorised Mercedes-Benz Passenger Car Dealer.