

This brochure has been compiled by DaimlerChrysler AG of Germany and is distributed internationally. It provides a general indication of the range of models, features, optional extras and/or colours available in various countries. Some of the models, features, optional extras and/or colours shown may not be available in your country or may only be available in a different specification. Additionally some models, features, optional extras and/or colours may only be available in combination with others. For current and more specific information in relation to the range of models, features, optional extras and/or colours available in your country, and their pricing, you should contact your nearest authorised Mercedes-Benz Passenger Car Dealer.



Mercedes-Benz



THE CLK COUPÉ AND CLK CABRIOLET



Mercedes-Benz

## The most beautiful moments lie before you

Life consists of many moments – great and small, short and long. So shouldn't we enjoy each one to the utmost? It was with this in mind that we built the CLK-Class. And reason enough for us to present the CLK Coupé and the CLK Cabriolet, two Mercedes vehicles that are not only particularly good-looking, but also – thanks to the new 6 and 8-cylinder engines – highly dynamic.

## **Contents**

04	Tradition
06	Design
14	Dynamism
22	Comfort
30	Safety
34	Soft-top
38	The ELEGANCE line
42	The AVANTGARDE line
46	The sports package
48	AMG
50	designo
52	Standard equipment
54	Optional extras
56	Accessories and Mercedes-Benz Collection
58	Technical data and dimensions for the CLK Coupés
60	Technical data and dimensions for the CLK Cabriolets
62	Paintwork and upholstery
68	Mercedes-Benz Service
70	Glossary

## Let's start by going back in time...

...to September 1955, when Mercedes-Benz unveiled the Coupé and Cabriolet versions of the 6-cylinder 220 S "Ponton" at the International Motor Show (IAA) in Frankfurt. With their long bonnets and elegant proportions, the two models certainly caught the imagination of visitors to the show.

The captivating looks of the 220 models were matched by the beguiling engineering beneath the surface. Both were built with a self-supporting body and a single-joint swing axle at the rear – state-of-the-art technology at the time. And this groundbreaking theme continued underneath the bonnet. From 1958, the 220 SE came with petrol injection, while both the Cabriolet and Coupé came as standard with a brake booster to harness the, for the time, extremely powerful engines.

"A successful car all round," praised a motoring magazine in 1956 after the 220 S Coupé had emerged from a 50,000-kilometre long-distance trial "without showing the slightest fault".

*"Ponton" 220 SE Coupé/220 S Cabriolet*





## Could time pass any more beautifully?

The B-pillar – it's the part that separates the front and rear side windows. But what do you get if you leave it out? One of the most attractive coupés ever built. The CLK-Class











A tropical beach scene with palm trees and a large, textured, light-colored object in the foreground. The object has a rough, layered appearance, possibly a piece of wood or a large shell. The background shows a sandy beach with several palm trees and a clear sky. The lighting is bright, suggesting a sunny day.

## One moment that lasts the whole day

Can there be a more stylish way to enjoy the sun's rays than in the CLK-Class Cabriolet? The clear, elegant lines radiate poise and assurance, hinting at the pure open-top driving pleasure that awaits





S OF 8889



Has anyone ever made you happy so fast?

The engines for the CLK-Class – performance that gets under your skin







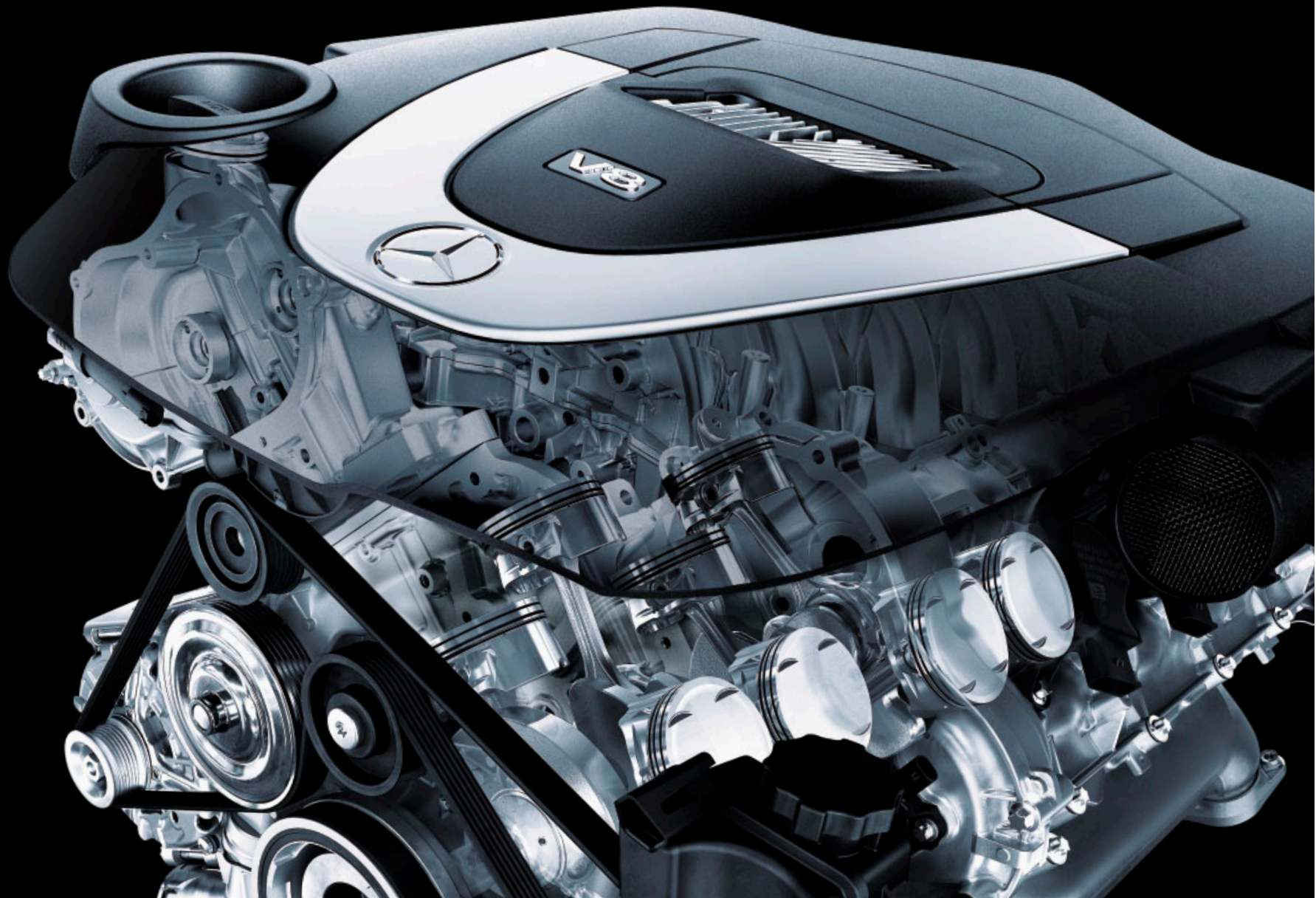
## An indescribable feeling with an undeniable cause

The CLK-Class triggers emotions which are quite simple to describe. Such as the feeling when the new V6 engines stretch their legs, their imposing pulling power and exemplary smoothness matched by impressive fuel economy and low pollutant emissions. The CLK 280 delivers 170 kW (231 hp), the CLK 350 200 kW (272 hp).

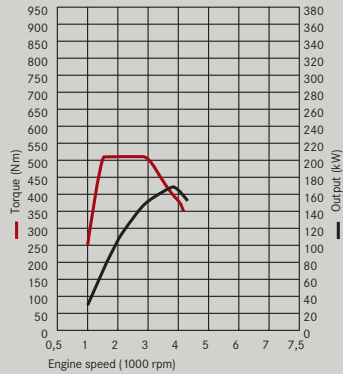
And what's more, you can combine the power of six cylinders with the benefits of a diesel engine - in the CLK 320 CDI. Developing 165 kW (224 hp) and 510 Nm of torque (in conjunction with the optional 7G-TRONIC), this common-rail engine is a passport to exceptional dynamism. It is also the first diesel engine to be available for the CLK Cabriolet.

Having said all that, with the CLK-Class the fun begins with four cylinders - in the CLK 200 KOMPRESSOR or the CLK 220 CDI (the diesel engine can only be ordered for the Coupé).

Topping the CLK range are the 8-cylinder high-performance powerplants. The new CLK 500 has an output of 285 kW (388 hp) and you can sense the potential on tap in every on-road situation. For particularly sporty moments, we recommend the new CLK 63 AMG with 354 kW (481 hp). Whichever model you opt for, you can be sure it will be remarkably environment-friendly. All the engines meet the EU 4 exhaust emissions standard, and the diesel models are also fitted as standard with a particulate filter.

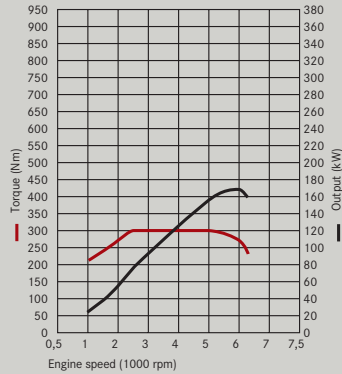


Mercedes-Benz CLK 320 CDI\*

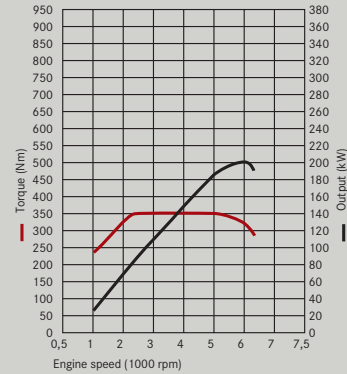


\*The torque curve applies to vehicles with 7G-TRONIC (optional).

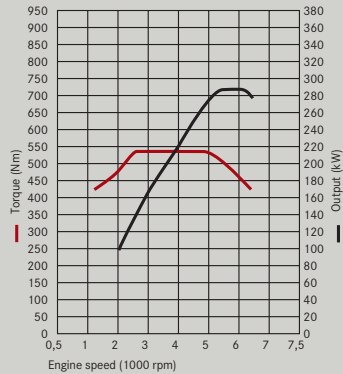
Mercedes-Benz CLK 280



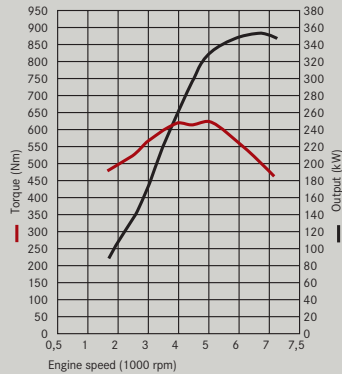
Mercedes-Benz CLK 350



Mercedes-Benz CLK 500



Mercedes-Benz CLK 63 AMG

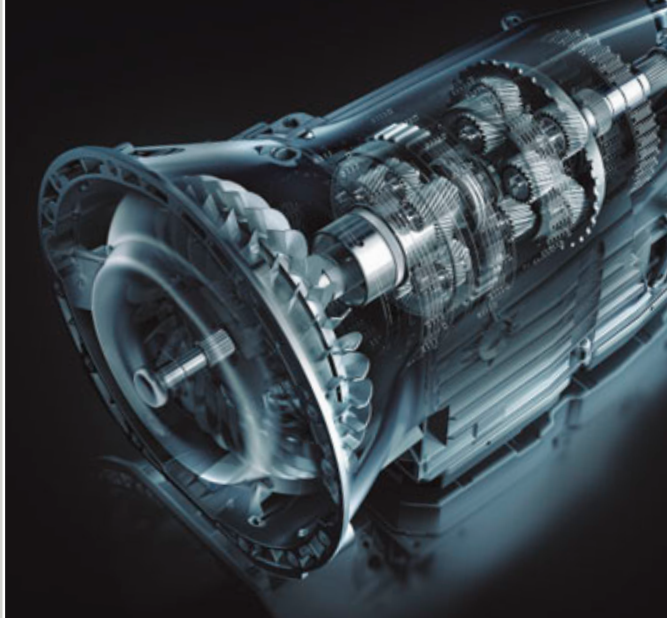


Only when maximum torque is available over a wide engine speed range can sufficient power be available at both low and high speeds. The CLK 350 puts a peak torque of 350 Nm at the driver's disposal from 2400 - 5000 rpm. The CLK 320 CDI, meanwhile, produces 510 Nm (in conjunction with the optional 7G-TRONIC) at 1600 rpm, and maintains it at a constant level up to 2800 rpm. The CLK 500 delivers breathtaking performance with 285 kW (388 hp) and a maximum torque of 530 Nm at 2800 to 4800 rpm, while the CLK 63 AMG tops those figures with 354 kW (481 hp) and 630 Nm torque at 5000 rpm

## The first automatic transmission with seven gears. And you'll barely notice one of them

The CLK 350, CLK 500 and CLK 63 AMG are fitted with the 7G-TRONIC 7-speed automatic transmission as standard<sup>1</sup>. The short rev bands possible with 7G-TRONIC mean that you are always in the best gear for the situation in hand – and that cuts fuel consumption, optimises acceleration and ensures smooth gear changes. Added to which, 7G-TRONIC can also skip gears thanks to the multiple downshift principle. This allows shift times to be significantly reduced. If you're looking for an even more sporty experience, you can also operate 7G-TRONIC using steering-wheel gearshift paddles, which form part of the sports package in conjunction with the automatic transmission. The two shift paddles are positioned behind the steering wheel on either side, allowing fast up or downshifts and opening the door to a new level of driving pleasure. Plus, if you keep the downshift paddle pressed, the transmission will switch automatically to the gear which offers the best acceleration. The 6 and 8-cylinder petrol models with sports package are fitted with the 7G-TRONIC Sport (optional for CLK 280) for particularly fast gearshifts in M mode.

<sup>1</sup>Available as an option for the CLK 320 CDI and CLK 280.  
Not available for the CLK 220 CDI or CLK 200 KOMPRESSOR



*CLK 200 Coupé ELEGANCE with sports package*





## No distractions from pure enjoyment

The CLK-Class cockpit. Ensuring a good view of everything, especially the road









## Comfort appeals to all the senses

The elegance of the CLK-Class continues inside the car, with clear lines and exquisite design dominating the interior. However, functionality was an equally high priority, as a first glimpse of the clearly laid-out instrument cluster confirms. All the key information is directly in the driver's field of vision. The AVANTGARDE line features a silver-coloured version with white dials.

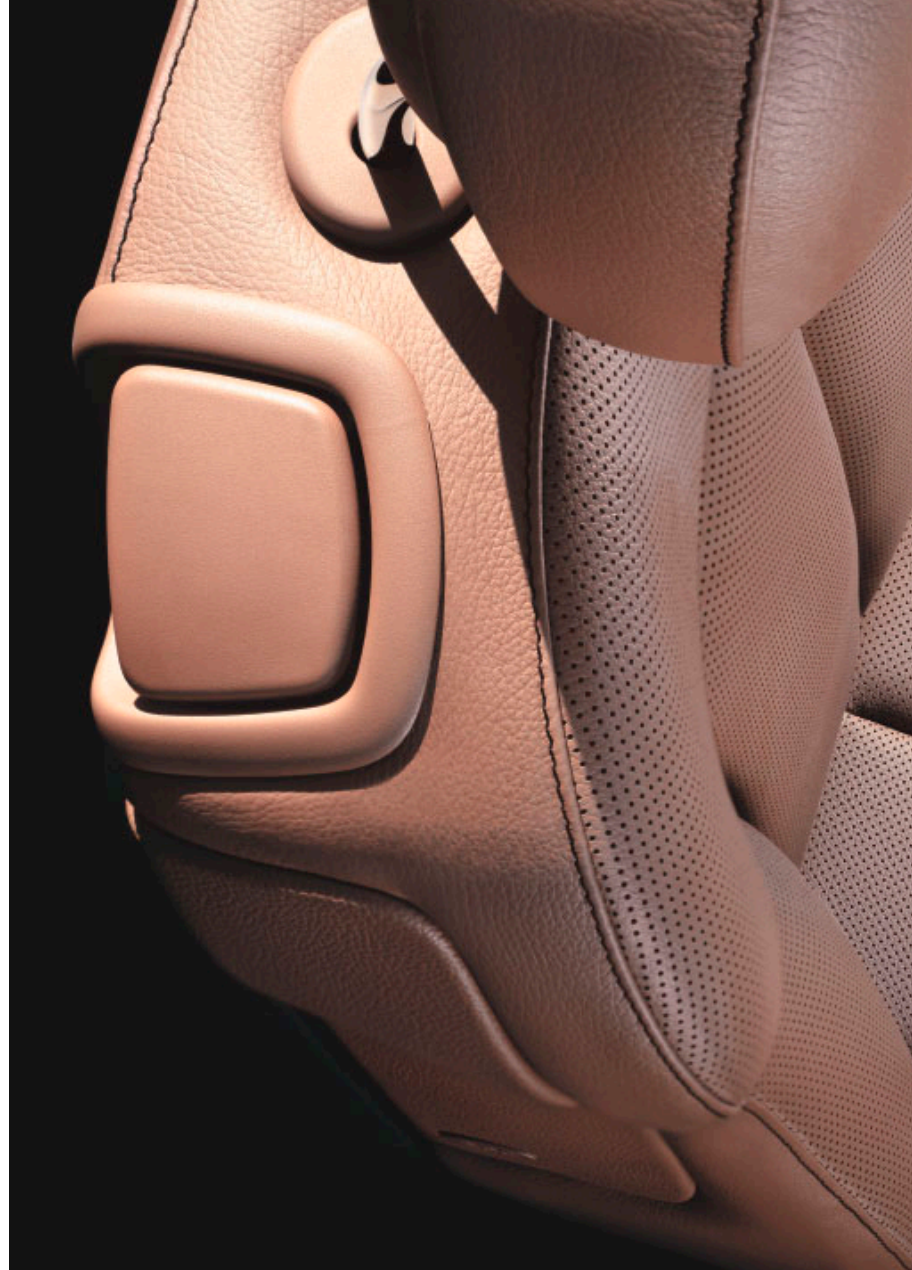
Enjoying the soundtrack to your journey is part of the standard CLK-Class experience, thanks to the Audio 20 radio with CD player and six speakers. Music connoisseurs, meanwhile, will be delighted to find the harman/kardon LOGIC 7® surround sound system on the options list. With its speakers positioned all around the interior, optimum sound quality is never in doubt.

Electrically adjustable front seats are available as an option to raise the comfort levels another notch, while the memory function brings them automatically into a pre-set position. The seat controls are arranged ergonomically in the door panelling.






CLK 280 Cabriolet AVANTGARDE with luxury seats (optional)



Perhaps the most striking feature of the CLK-Class interior is its standard-fitted belt feeders. These bring the seat belts closer to the driver and front passenger as soon as the ignition is switched on, ensuring that your journey is an enjoyable experience even before it has begun. Indeed, the comfortable seats make even long journeys a pleasure. The rear passengers benefit from a similar level of luxury, with the EASY-ENTRY system allowing even adults to gain easy access to the rear seats. The front seat back-rests fold forwards and the whole seat then slides towards the dashboard



There are times when everything  
seems to slip into place

DIRECT CONTROL brings the transmission, suspension and steering  
into step with one another to ensure enviable driving pleasure.



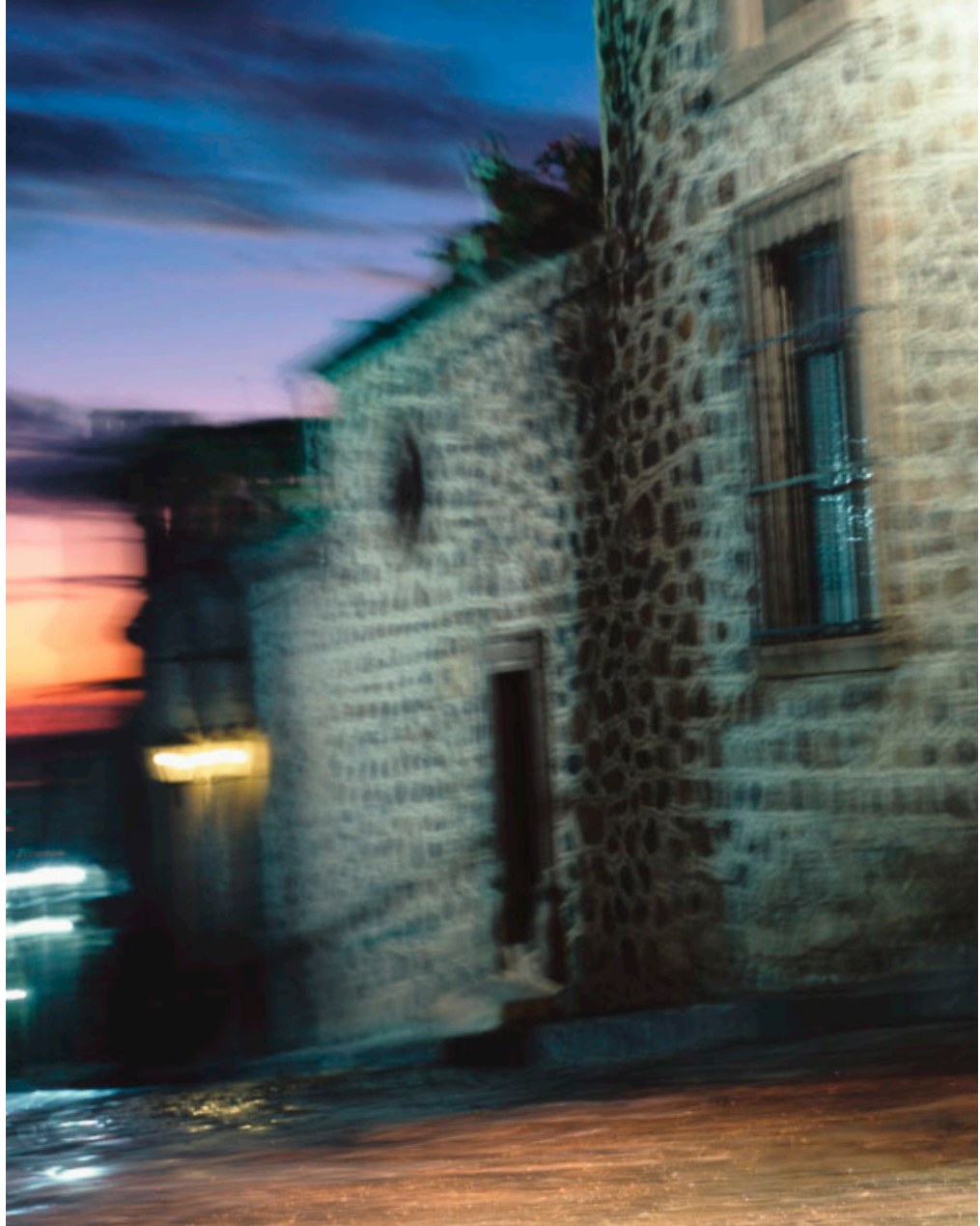
## Safety

You'll want to spend all day driving on winding roads. And preferably all night, too

Driving enjoyment in the CLK-Class comes courtesy of DIRECT CONTROL, a technology package which ensures that the suspension, transmission and steering act in harmony. The result is agile handling and a dynamic driving sensation. Safety features include the Electronic Stability Program (ESP®), which helps you to stabilise the vehicle in critical situations.

For enhanced safety when cornering in the dark, you can opt to fit your CLK-Class with bi-xenon headlamps with the integral active light function. When set to low-beam, the headlamps follow the driver's steering movements and can enhance illumination of the road on bends by up to 90 %. The active light function also incorporates the cornering light function, which automatically activates the fog lamp on the inside of a sharp bend at speeds up to 30 km/h.

*CLK 350 Coupé AVANTGARDE*











CLK 350 Cabriolet ELEGANCE



*The CLK Cabriolet comes with head/thorax airbags, which can improve safety in lateral collisions. These airbags are fitted in the outer edges of the front seat backrests and inflate to cover part of the door panelling and closed side window. If a collision exceeds a certain severity, they are deployed on the side of the car exposed to the impact. The automatic roll-over bars are another reassuring safety feature built into the CLK Cabriolet. If the car is in danger of turning over, the roll-over bars integrated into the rear head restraints can be deployed in a split-second*

Sometimes there is comfort  
in the rain

20 litres of water per minute is pummelling  
the roof. Time to sit back and relax







*CLK 280 Cabriolet AVANTGARDE with sports package*



The soft-top

## The difference between +20 and -16 °C: 25 millimetres

The CLK Cabriolet's soft-top provides a harmonious extension of the CLK-Class's design and possesses outstanding soundproofing and heat insulating properties. The fabric roof may be only 2.5 cm thick, but its three-layer construction allows you to enjoy the journey even if the weather isn't on your side. The fully electric soft-top closes quickly and easily in around 20 seconds – and by remote control from the car key as well, if you so choose.

The CLK boot is large enough for your luggage whether the soft-top is open or closed. Added to which, the optional ski bag gives it impressive variability.

The ELEGANCE line

## Elegance is more than just skin deep

The ELEGANCE line creates a particularly exclusive ambience inside the CLK-Class. The seat upholstery and door panelling are available in subtle colour shades, such as the black “Tampere” fabric or basalt grey leather (optional). You can order the Cabriolet soft-top in black, blue or grey, plus the roof liner in grey (basic colour black) and beige (basic colour pebble beige).

The interior trim elements come in dark ash, or stylish burr walnut wood as an option. And the gearshift lever can be ordered as an option in burr walnut to match. Both wood variants fit in perfectly with the exquisite chrome trim arranged throughout the CLK ELEGANCE cockpit, in the form of instrument and air outlet surrounds, for example.

CLK 350 Cabriolet ELEGANCE











*From the outside, the ELEGANCE line shows off its chrome rub strips and a radiator grille with three silver-painted louvres. And the 9-spoke 16 or 17-inch light-alloy wheels (depending on the engine variant) further enhance the classy overall impression. The clearly structured tail lights with a high-brilliance contrast panel add the perfect finishing touch to the exterior*

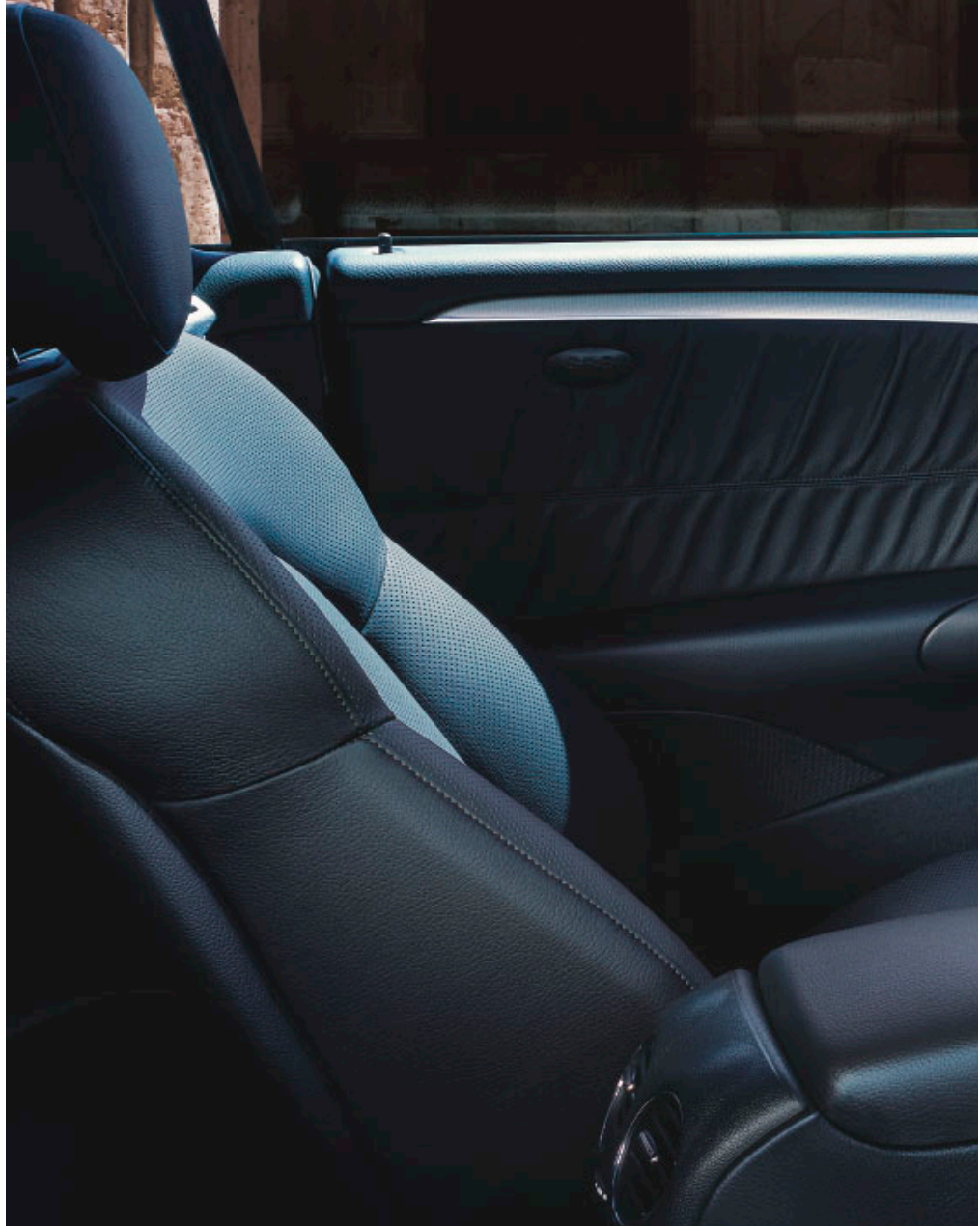
The AVANTGARDE line

## Cutting a dynamic figure: the AVANTGARDE line

The AVANTGARDE line's status as the sporty variant of the CLK Coupé is evident from the moment you get into the car. Complementing the chrome strips and surrounds are aluminium trim elements, which lend the interior a more dynamic edge. The instrument cluster with white dials is one example. You can also specify the interior in black ash (optional), which goes particularly well with the black centre console and the footwell trim.

The seats and door centre panels are trimmed as standard in a combination of fabric and ARTICO man-made leather – also in elegant black. A leather alternative is available as an option. Here, you can choose from six different colour shades, all of which blend in seamlessly with the black interior.

*CLK 280 Coupé AVANTGARDE*









*The AVANTGARDE line allows you to stay a heartbeat ahead of the "Zeitgeist". The gleaming black-painted radiator grille with chrome trim strips, the tail light design with its dark contrasting panel, and the cutting-edge 5-twin-spoke 17-inch light-alloy wheels underline the dynamic nature of the CLK-Class*

The sports package

## Training for the CLK: the sports package

The optional sports package gives the CLK-Class an even more dynamic flair. The lowered sports suspension, multi-spoke 18-inch light-alloy wheels and chromed tailpipes lend the CLK a powerful presence. And the perforated brake discs and brake callipers with Mercedes-Benz lettering are far more than purely stylistic touches. All petrol variants feature a special sound package.

Inside the car, the studded pedals in brushed stainless steel, floor mats with silver-coloured edging and multi-contour seats for driver and front passenger reinforce its dynamic credentials. In conjunction with an automatic transmission, the sports package includes the new-design steering-wheel gearshift paddles, while the 6 and 8-cylinder models feature the new 7G-TRONIC Sport automatic transmission.







AMG

## High performance in three letters: AMG

With its AMG 6.3-litre V8 engine producing 354 kW (481 hp) and 630 Nm of torque, the CLK 63 AMG has the heart of a thoroughbred athlete. Added to which, this high-performance model also comes with dynamic AMG body-styling, including front and rear apron and side skirts, plus an AMG spoiler lip on the boot lid, a sports exhaust with two twin tailpipes (one twin tailpipe for the CLK 63 AMG Cabriolet), and the exclusive 5-spoke 18-inch AMG light-alloy wheels. Inside the car, the driver is greeted by fine nappa leather appointments, AMG sports seats, the AMG ergonomic sports steering wheel with gearshift paddles, the AMG instrument cluster with RACETIMER and AMG aluminium trim.

In addition to the features in the sports package, the optional AMG sports package also features imposing AMG bodystyling, 5-spoke 18-inch AMG light-alloy wheels, an AMG spoiler lip, a chromed AMG twin tailpipe (for the V6 and V8 petrol variants), an ergonomic AMG sports steering wheel and high-quality AMG floor mats.

*Pictured left: the CLK 280 Coupé with AMG sports package; right: the CLK 63 AMG Cabriolet*







designo

## designo. As individual as your signature

When it comes to creating very special interior and exterior features, the designo team are unbeatable. Whether you're looking to turn your CLK into an exquisite overall work of art or would simply like to add the odd highlight, your taste is our command.

Our designo team can offer a wide variety of exclusive paint finishes and fine leather - in colours such as designo porcelain - for the CLK-Class. Exquisite trim elements in designo black piano lacquer or designo natural oak grain with a silky matt finish also help to make your CLK-Class a true individual. One particularly alluring example of the options on offer is the selector lever in leather/designo wood. In the Coupé, the likewise optional designo Alcantara roof liner is available in anthracite, pebble beige or alpaca grey to lend the CLK-Class a very special finishing touch.



# Standard equipment

## *Selection*

---

16-inch light-alloy wheels in conjunction with ELEGANCE line  
(for CLK 220 CDI, CLK 200 KOMPRESSOR and CLK 280)

---

17-inch light-alloy wheels in conjunction with AVANTGARDE line (for all engine models)

---

17-inch light-alloy wheels in conjunction with ELEGANCE line  
(for CLK 320 CDI, CLK 350 and CLK 500)

---

Anti-lock braking system (ABS)

---

ASSYST service interval indicator

---

Audio 20 radio with CD drive and 6 loudspeakers

---

Automatic front belt feeders

---

Belt tensioners and belt force limiters on all 4 seats

---

Brake Assist (BAS)

---

Central locking with interior switch and crash sensor

---

Courtesy lights in doors

---

DIRECT CONTROL 6-speed manual transmission  
(for CLK 220 CDI, CLK 320 CDI, CLK 200 KOMPRESSOR and CLK 280)

---

DIRECT CONTROL suspension

---

ELCODE electronic locking system with infrared/radio remote control and immobiliser

---

Electronic Stability Program (ESP®)

---

Fog lamps front and rear

---

Fully automatic soft-top mechanism (Cabriolet only)

---

Headlamp Assist (automatically activated headlamps)

---

Head/thorax airbags (Cabriolet only)

---

---

Heated exterior mirrors left and right, electrically adjustable,  
with aspherically curved mirror glass

---

Heated windscreen washer nozzles

---

Instrument cluster with display and service computer

---

Integral side-impact protection

---

Interior lights automatically activated when vehicle is unlocked

---

ISOFIX child seat attachment points in rear

---

Leather multifunction steering wheel and leather gearshift lever

---

NECK-PRO crash-responsive head restraints for driver and front passenger seats

---

Outside temperature display

---

Power steering with safety steering column

---

Power windows, 4, front windows with one-touch control

---

Rain sensor with continuously variable intermittent wipe control

---

Remote boot-lid release

---

Seat occupancy sensor with weight sensor in front passenger seat

---

Sidebags for driver and front passenger (Coupé only)

---

Split-folding rear seat backrest, with through-loading facility (Coupé only)

---

Steering column manually adjustable for reach and height

---

THERMATIC automatic climate control with dust filter

---

Two-stage front airbags

---

Tyre pressure loss warning system

---

Windowbags (Coupé only)

---



Comfort comes as standard in the CLK-Class. The multifunction steering wheel puts everything within reach and allows you to operate the radio or access information from the trip computer, for example. The cruise control system with SPEEDTRONIC variable speed limiter maintains your desired speed, and courtesy lights in the doors make getting in and out of the car that much easier. The THERMATIC automatic climate control system with dust filter helps to ensure a pleasant in-car climate

## Optional extras

### **Selection**

5-speed automatic transmission <sup>1</sup>
7G-TRONIC automatic transmission <sup>2</sup>
AMG sports package
Anti-theft alarm with tow-away protection and interior monitoring
Audio 50 APS radio with CD player
Bi-xenon headlamps with active light function and cornering light function
Bi-xenon headlamps with cornering light function
CD changer (for 6 CDs) in glove compartment
Child seat recognition (automatic) in front-passenger seat, for child seats with transponder specifically approved by Mercedes-Benz
COMAND APS control and display system with DVD drive
DISTRONIC proximity control <sup>3</sup>
Draught-stop (Cabriolet only)
Electric seat adjustment with memory function
Electrically operated roller blind for rear window (Coupé only)
Electrically operated sliding/tilting glass sunroof (Coupé only)
harman/kardon LOGIC 7® surround sound system
Heated front seats

KEYLESS-GO
Leather upholstery
Leather/wood steering wheel
LINGUATRONIC voice control system
Lower-slung sports suspension
Luxury front seats, incl. seat ventilation and heating
Multicontour seats
PARKTRONIC
Pre-installation for mobile phone
Remote boot-lid lock
Sidebags in the rear
Ski bag
Sports package
Steering-wheel gearshift paddles (in conjunction with automatic transmission and sports package)
THERMOTRONIC luxury automatic climate control
TV tuner (for both analogue and digital TV reception)
Wooden gearshift lever

<sup>1</sup> Available as an option for CLK 220 CDI and CLK 200 KOMPRESSOR

<sup>2</sup> Available as an option for CLK 320 CDI and CLK 280 (standard in CLK 350, CLK 500 and CLK 63 AMG)

<sup>3</sup> Only available in conjunction with automatic transmission



*Optional extras: the COMAND APS control and display system brings together the functions of a radio, DVD player and navigation system and is integrated into the centre console. PARKTRONIC assists the driver during parking manoeuvres with visual and audible warnings. With the THERMOTRONIC luxury automatic climate control system, the temperature can be adjusted individually for the driver, front passenger and rear passengers. KEYLESS-GO allows you to open the car door and switch the engine on/off just by carrying the key with you. The multi-piece 5-spoke 18-inch designer wheels add a stylish flourish*





1



2



3



4

## For the discerning eye: the accessories

The design and quality of genuine Mercedes-Benz accessories are demonstrated by the “Elarneb” (1) 17-inch incenio designer wheel in sterling silver, the “Alresha” (2) 18-inch incenio designer wheel and the “Aldebaran”<sup>1</sup> (3) and “Anchat” (4) incenio designer wheels in 16 and 17-inch format.

You can also equip your CLK Coupé with a roof carrier system. Skis or snowboards, for example, can be stowed easily and securely in the roof box.

The high-quality nylon bag with padded leather handles helps you to make optimum use of the boot space in the CLK-Class.

The Mercedes Benz iPod Interface Kit means that you no longer have to do without your favourite music on long journeys. The kit allows you to connect your iPod to the audio system in the CLK easily and in a well protected area in the glove compartment, and to operate it via the multifunction steering wheel. The current status of the iPod is displayed in the instrument cluster.

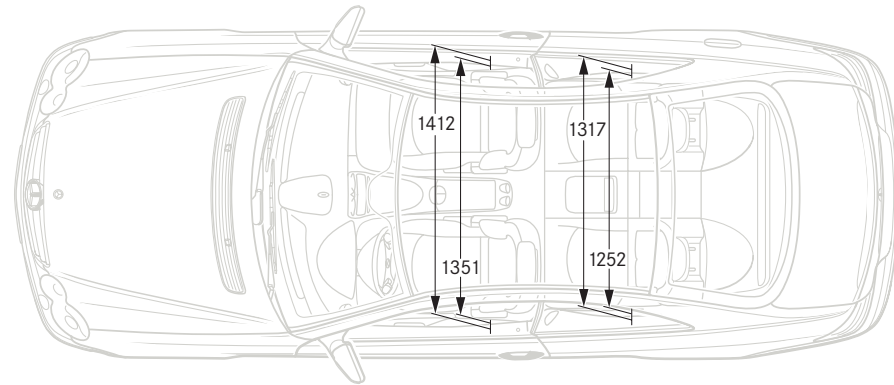
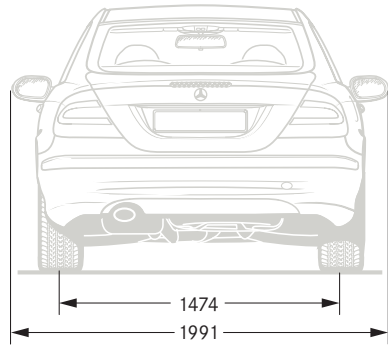
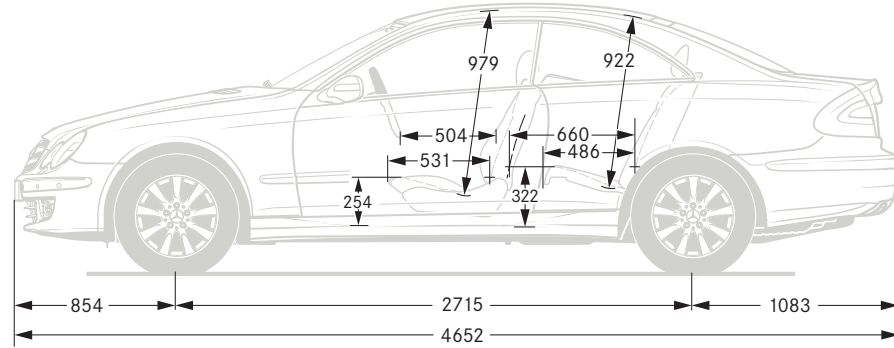
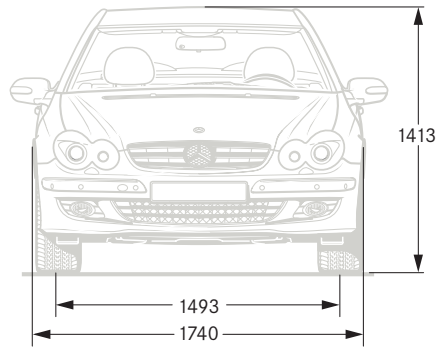
<sup>1</sup>Not available for the CLK 320 CDI, CLK 350, CLK 500 and CLK 63 AMG



# Technical data for the CLK Coupés

	<i>CLK 220 CDI</i>	<i>CLK 320 CDI</i>	<i>CLK 200 KOMPRESSOR</i>	<i>CLK 280</i>	<i>CLK 350</i>	<i>CLK 500</i>	<i>CLK 63 AMG</i>
No. of cylinders/arrangement	4/in-line	6/V	4/in-line	6/V	6/V	8/V	8/V
Bore/stroke (mm)	88.0/88.3	83.0/92.0	82.0/85.0	88.0/82.1	92.9/86.0	98.0/90.5	102.2/94.6
Total displacement (cc)	2148	2987	1796	2996	3498	5462	6208
Rated output (kW at rpm) <sup>1</sup>	110/4200	165/3800	120/5500	170/6000	200/6000	285/6000	354/6800
Rated torque (Nm at rpm) <sup>1</sup> (automatic)	340/2000 (340/2000)	415/1400-3800 (510/1600-2800)	240/3000 (240/3000)	300/2500-5000 (300/2500-5000)	- (350/2400-5000)	- (530/2800-4800)	- (630/5000)
Acceleration 0-100 km/h (s) (automatic)	10.2 (10.4)	8.2 (6.9)	9.3 (9.9)	7.4 (7.4/7.2 <sup>2</sup> )	-(6.4/6.2 <sup>2</sup> )	-(5.2/5.0 <sup>2</sup> )	-(4.6)
Top speed approx. (km/h) (automatic)	221 (217)	246 (250) <sup>3</sup>	230 (228)	250 <sup>3</sup> (250) <sup>3</sup>	-(250) <sup>3</sup>	-(250) <sup>3</sup>	-(250) <sup>3</sup>
Tyres front	205/55 7 J x 16	225/45 7.5 J x 17	205/55 7 J x 16	205/55 7 J x 16	225/45 7.5 J x 17	225/45 7.5 J x 17	225/40 8 J x 18
rear	225/50 8 J x 16	245/40 8.5 J x 17	225/50 8 J x 16	225/50 8 J x 16	245/40 8.5 J x 17	245/40 7.5 J x 17	255/35 8.5 J x 18
Fuel	Diesel	Diesel	Premium	Premium	Premium	Premium	Super Plus
Fuel consumption (l/100 km) <sup>4</sup>							
urban (automatic)	8.6-8.8 (9.0-9.2)	10.1-10.2 (10.4-10.5)	11.9-12.2 (12.1-12.6)	13.3-13.7 (13.2-13.5)	-(14.5-14.6)	-(16.7-16.8)	-(21.3)
extra-urban (automatic)	5.1-5.2 (5.4-5.5)	5.5-5.7 (5.7-6.1)	6.2-6.7 (6.2-6.5)	6.8-7.2 (6.9-7.2)	-(7.6-7.7)	-(8.3-8.4)	-(10.0)
combined (automatic)	6.4-6.5 (6.8-6.9)	7.2-7.3 (7.5-7.7)	8.3-8.7 (8.4-8.7)	9.2-9.6 (9.2-9.5)	-(9.9-10.0)	-(11.4-11.5)	-(14.2)
CO <sub>2</sub> emissions (g/km) <sup>4</sup> (automatic)	169-172 (178-181)	190-194 (195-202)	198-207 (200-207)	220-229 (220-227)	- (241-244)	- (270-273)	- (338)
Tank capacity (l), of which reserve approx.	62/8	62/8	62/8	62/8	62/8	62/8	62/8
Boot capacity (max. l)	435	435	435	435	435	435	435
Kerb weight (kg) <sup>5</sup>	1575	1660	1540	1580	1615	1675	1755
Perm. gross vehicle weight (kg)	2030	2115	2010	2035	2050	2130	2175

<sup>1</sup> Figures according to Directive 80/1269/EEC, in the currently applicable version      <sup>2</sup> With 7G-TRONIC Sport      <sup>3</sup> Electronically governed      <sup>4</sup> The figures shown were obtained in accordance with the prescribed measuring process (Directive 80/1268/EEC in the currently applicable version). The figures are not based on an individual vehicle and do not constitute part of the product offer; they are provided solely for purposes of comparison between different vehicle models      <sup>5</sup> Figures according to Directive 92/21/EC, version 95/48/EC (kerb weight with fuel tank 90% full, driver, 68 kg, and luggage, 7 kg) for standard-specification vehicles. Optional extras and accessories will generally increase this figure and reduce the payload capacity accordingly

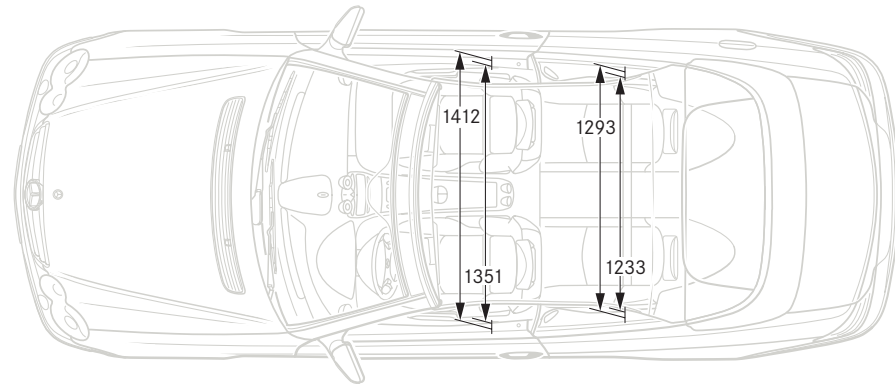
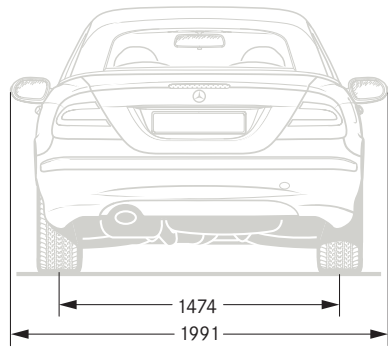
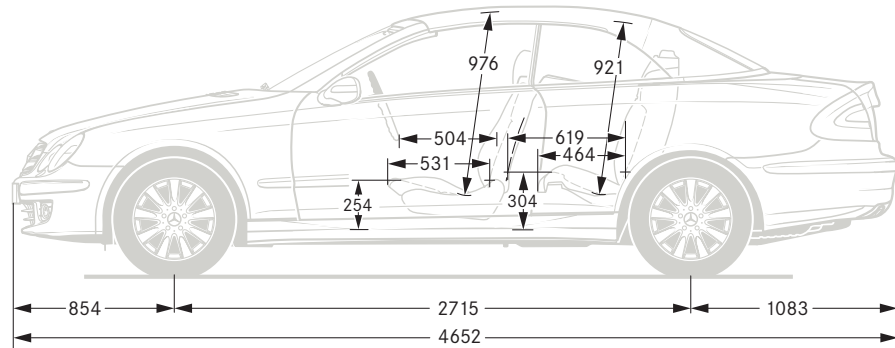
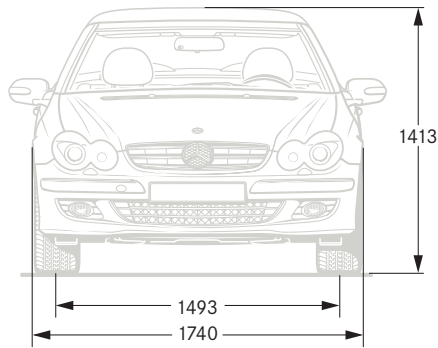


Would you like to know more about this car? An interactive Owner's Manual is available at [www.mercedes-benz.de/betriebsanleitung](http://www.mercedes-benz.de/betriebsanleitung)  
 The dimensions quoted above are mean values (given in mm). They apply to basic-specification vehicles carrying two persons weighing 68 kg each.

## Technical data for the CLK Cabriolets

	<i>CLK 320 CDI</i>	<i>CLK 200 KOMPRESSOR</i>	<i>CLK 280</i>	<i>CLK 350</i>	<i>CLK 500</i>	<i>CLK 63 AMG</i>
No. of cylinders/arrangement	6/V	4/in-line	6/V	6/V	8/V	8/V
Bore/stroke (mm)	83.0/92.0	82.0/85.0	88.0/82.1	92.9/86.0	98.0/90.5	102.2/94.6
Total displacement (cc)	2987	1796	2996	3498	5462	6208
Rated output (kW at rpm) <sup>1</sup>	165/3800	120/5500	170/6000	200/6000	285/6000	354/6800
Rated torque (Nm at rpm) <sup>1</sup> (automatic)	415/1400–3800 (510/1600–2800)	240/3000 (240/3000)	300/2500–5000 (300/2500–5000)	– (350/2400–5000)	– (530/2800-4800)	– (630/5000)
Acceleration 0–100 km/h (s) (automatic)	8.6 (7.2)	9.8 (10.5)	7.7 (7.8/7.6 <sup>2</sup> )	– (6.7/6.5 <sup>2</sup> )	– (5,3/5.1 <sup>2</sup> )	– (4.7)
Top speed approx. (km/h) (automatic)	242 (246)	225 (223)	250 <sup>3</sup> (245)	– (250) <sup>3</sup>	– (250) <sup>3</sup>	– (250) <sup>3</sup>
Tyres front	225/45 7.5 J x 17	205/55 7 J x 16	205/55 7 J x 16	225/45 7.5 J x 17	225/45 7.5 J x 17	225/40 8 J x 18
rear	245/40 8.5 J x 17	225/50 8 J x 16	225/50 8 J x 16	245/40 8.5 J x 17	245/40 7.5 J x 17	255/35 8.5 J x 18
Fuel	Diesel	Premium	Premium	Premium	Premium	Super Plus
Fuel consumption (l/100 km) <sup>4</sup>						
urban (automatic)	9.7–10.0 (9.9–10.3)	12.2–12.4 (12.6–12.8)	13.8–14.2 (13.3–13.6)	– (14.5–14.6)	– (17.1–17.2)	– (21.6)
extra-urban (automatic)	5.6–5.7 (6.0–6.2)	6.5–6.8 (6.5–6.8)	7.0–7.4 (7.0–7.3)	– (7.6–7.7)	– (8.5–8.6)	– (10.2)
combined (automatic)	7.1–7.3 (7.4–7.7)	8.6–8.9 (8.7–9.0)	9.5–9.9 (9.3–9.6)	– (10.1–10.2)	– (11.6–11.7)	– (14.4)
CO <sub>2</sub> emissions (g/km) <sup>4</sup> (automatic)	188–194 (197–205)	205–212 (207–214)	227–236 (222–229)	– (241–244)	– (275–278)	– (344)
Tank capacity (l) of which reserve approx.	62/8	62/8	62/8	62/8	62/8	62/8
Boot capacity (max. l)	390/276	390/276	390/276	390/276	390/276	390/276
Kerb weight (kg) <sup>5</sup>	1785	1665	1705	1735	1800	1875
Perm. gross vehicle weight (kg)	2250	2135	2170	2190	2240	2260

<sup>1</sup> Figures according to Directive 80/1269/EEC, in the currently applicable version      <sup>2</sup> With 7G-TRONIC Sport      <sup>3</sup> Electronically governed      <sup>4</sup> The figures shown were obtained in accordance with the prescribed measuring process (Directive 80/1268/EEC in the currently applicable version). The figures are not based on an individual vehicle and do not constitute part of the product offer; they are provided solely for purposes of comparison between different vehicle models      <sup>5</sup> Figures according to Directive 92/21/EC, version 95/48/EC (kerb weight with fuel tank 90% full, driver, 68 kg, and luggage, 7 kg) for standard-specification vehicles. Optional extras and accessories will generally increase this figure and reduce the payload capacity accordingly



Would you like to know more about this car? An interactive Owner's Manual is available at [www.mercedes-benz.de/betriebsanleitung](http://www.mercedes-benz.de/betriebsanleitung)  
 The dimensions quoted above are mean values (given in mm). They apply to basic-specification vehicles carrying two persons weighing 68 kg each.

## Paintwork and upholstery - the combination options

	<i>ELEGANCE</i> "Tampere" fabric		<i>Leather</i>		<i>AVANTGARDE</i> "Gothenburg" fabric/ <i>ARTICO</i> man-made leather		<i>Leather</i>				<i>Soft-top fabric</i>	
	black	basalt grey <sup>1</sup>	black	pebble beige basalt grey	black	black	black	cappuccino pebble beige flamenco red basalt grey tundra brown	black	black	blue	grey
<i>Non-metallic paints</i>												
black	●	●	●	●	●	●	●	●	●	●	●	●
fire opal	●	●	●	○	△	●	●	○	○	△	△	○
calcite white	●	●	●	○	●	●	●	○	△	●	●	○
<i>Metallic paints</i>												
green black	●	●	●	●	●	●	●	○	●	△	●	△
obsidian black	●	●	●	●	●	●	●	●	●	●	●	●
iolite blue	●	●	●	○	●	●	●	△	○	△	●	△
tanzanite blue	○	●	○	●	●	○	○	○	○	●	○	△
thulite red	●	●	●	●	●	●	●	○	○	●	●	○
cubanite silver	●	○	●	○	●	●	●	△	△	○	○	●
perlite grey	●	○	●	○	○	●	●	△	○	△	○	△
tellurium silver	●	●	●	△	●	●	●	△	△	△	●	△
iridium silver	●	●	●	△	●	●	●	○	△	●	●	●

● Recommended    ○ Possible    △ Not recommended

<sup>1</sup> Only available for Coupé

## A shining example: tougher clearcoat

This clearcoat is significantly more scratch-resistant than conventional paint and is characterised by a more durable sheen which is noticeably more intense.

The secret of this protective coat is to be found in the countless tiny ceramic particles (each less than one millionth of a millimetre in size) which are integrated in the paint binding agent.

Both non-metallic and metallic paint finishes benefit from the more scratch-resistant clearcoat which makes them less susceptible to the effects of the weather and environmental conditions such as precipitation, sunlight, temperature variations, dust and soot.

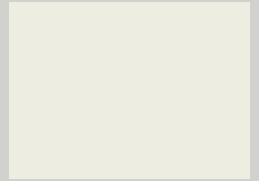
Non-metallic  
paints



*040 black*



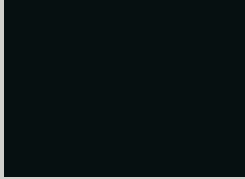
*590 fire opal*



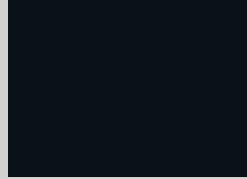
*650 calcite white*



Metallic  
paints



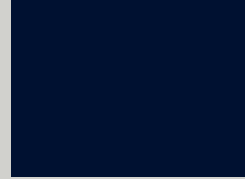
*189 green black*



*197 obsidian black*



*357 iolite blue*



*359 tanzanite blue*



*541 thulite red*



*723 cubanite silver*



*747 perlite grey*



*762 tellurium silver*



*775 iridium silver*

Soft-top  
fabric  
(Cabriolet  
only)



*740 black*



*744 blue*



*749 grey*

Colours may differ slightly from those shown, owing to the limitations of the printing process

ELEGANCE  
Trim



*dark ash*

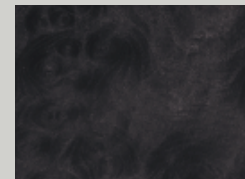


*burr walnut<sup>1</sup>*

AVANTGARDE  
trim

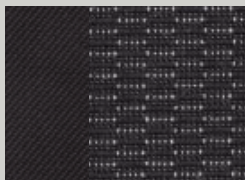


*Aluminium*

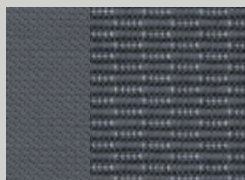


*black ash<sup>1</sup>*

Fabric

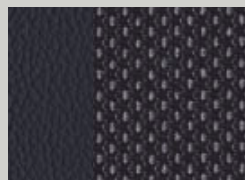


*411 black*



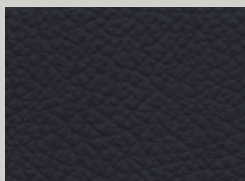
*418 basalt grey<sup>2</sup>*

Fabric/  
ARTICO  
man-made  
leather

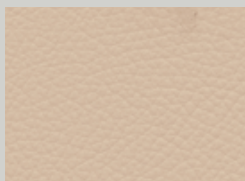


*711 black*

Leather

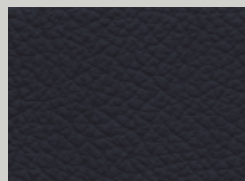


*801 black*



*805 pebble beige*

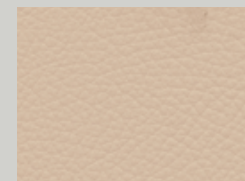
Leather



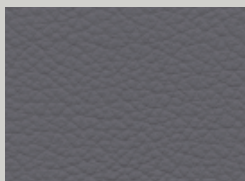
*811 black*



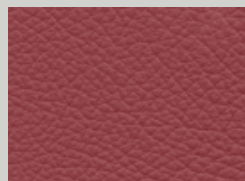
*814 cappuccino*



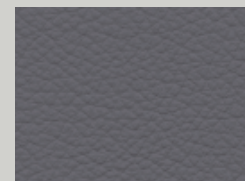
*815 pebble beige*



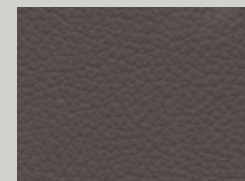
*808 basalt grey*



*817 flamenco red*



*818 basalt grey*



*824 tundra brown*

<sup>1</sup>Optional extra

<sup>2</sup>Only available for Coupé

CLK 63 AMG  
trim

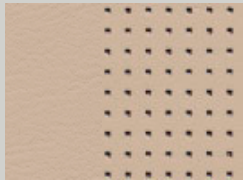


*AMG aluminium*

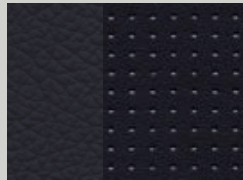


*black ash<sup>1</sup>*

CLK 63 AMG  
nappa leather



*805 pebble beige<sup>2</sup>*



*811 black<sup>3</sup>*



*818 basalt grey<sup>3</sup>*

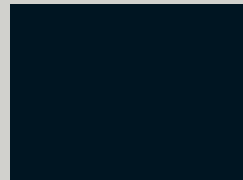
designo  
trim  
*Optional extra*



*W21 natural matt oak grain*

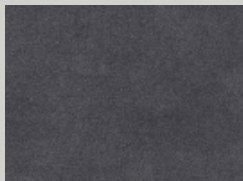


*W68 brown poplar*

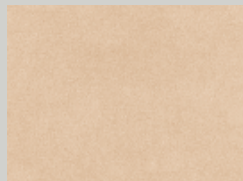


*W69 black piano lacquer*

designo  
Alcantara  
roof liner<sup>4</sup>  
windscreen frame<sup>5</sup>  
*optional extra*



*Y83 anthracite*



*Y84 pebble beige*



*Y85 alpaca grey*

<sup>1</sup>Optional

<sup>2</sup>Based on ELEGANCE colour concept

<sup>3</sup>Based on AVANTGARDE colour concept

<sup>4</sup>Only available for Coupé

<sup>5</sup>Only available for Cabriolet. Comprising A-pillars, top of roof frame and sun visors



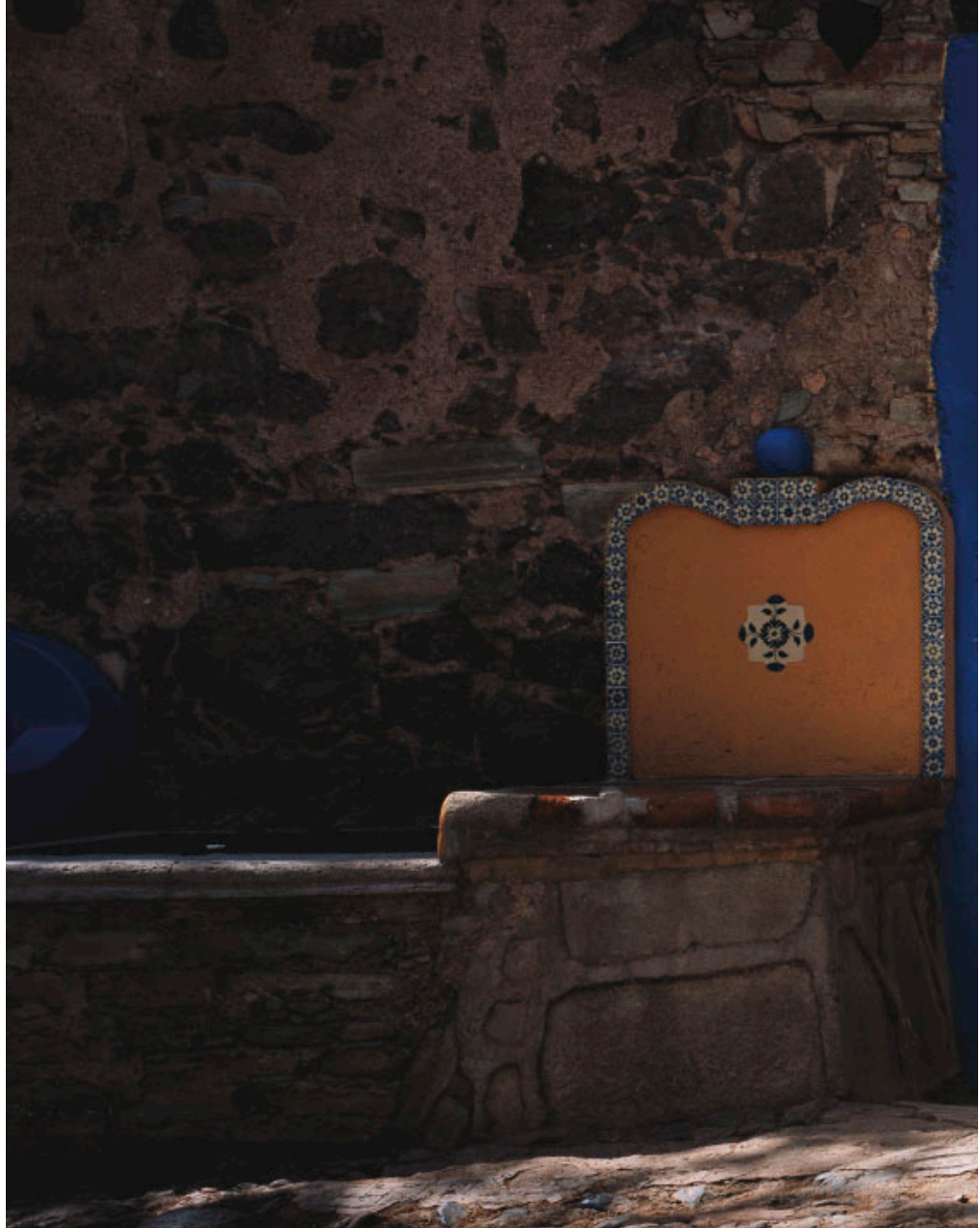
## Whatever happens, you're in the best hands

With MobiloLife, our mobility and warranty package, you can expect years and years of carefree driving. Whether you have lost your key, you experience technical problems or are having problems starting the car, our Service 24h team is on hand to provide assistance 24 hours a day, 365 days a year throughout the European Union. All you have to do is call Mercedes-Benz on 00800 1777 7777.

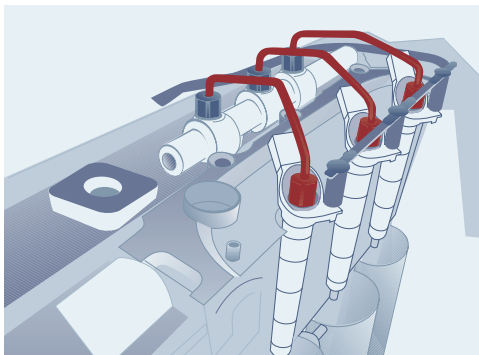
You don't have to be sitting at the wheel of your Mercedes-Benz to have some wonderful experiences. The MercedesCard is your ticket to the world of Mercedes-Benz and doubles as a practical credit card. Customers in Germany can find further information about the product, along with application forms, at [www.mercedes-benz.de/mercedescard](http://www.mercedes-benz.de/mercedescard). Customers in Austria and Switzerland will find the information on their national Mercedes-Benz websites.

If you have already set your heart on your dream Mercedes and want to remain flexible in financial terms, DaimlerChrysler Bank's leasing and financing packages could be exactly what you're looking for. For further information, phone 0 18 03-DC Bank or 0 18 03-32 22 65 (9 ct/min) from inside Germany, or visit [www.daimlerchrysler-bank.com](http://www.daimlerchrysler-bank.com)

Would you like to know more about the CLK? An interactive Owner's Manual is available at [www.mercedes-benz.de/betriebsanleitung/clk-klasse](http://www.mercedes-benz.de/betriebsanleitung/clk-klasse)

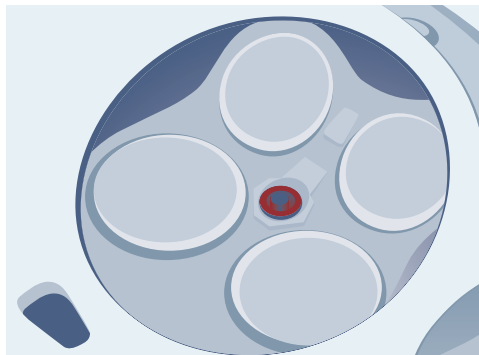






## Common-rail diesel engines

Smooth and quiet operation, economy, low emission levels and driving pleasure are the hallmark qualities of the common-rail diesel engines. Responsible for this all-round talent is a common rail, which keeps the fuel at a permanently high pressure of around 1600 bar throughout the entire engine speed range and injects precisely metered quantities of fuel into the combustion chambers. The result is a reduction in fuel consumption and lower emissions. Noise emissions and engine vibration have also been significantly reduced. The impressive torque values are the result of, among other things, the turbocharger with its variable nozzle turbine (VNT), and the charge air cooling.



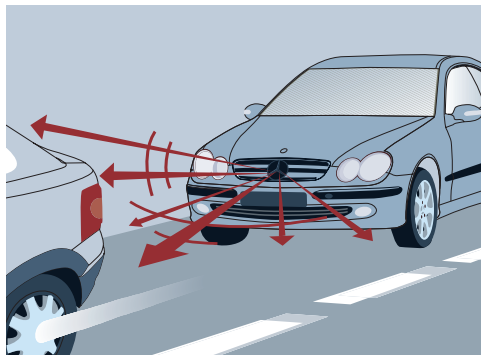
## Petrol engines with four valves per cylinder

The use of four valves per cylinder in combination with adjustable intake and exhaust camshafts improves the rated output and torque across a wide engine-speed range. The optimised combustion chamber results in lower fuel consumption and pollutant emissions while a balancer shaft makes for smoother running and reduces vibration.



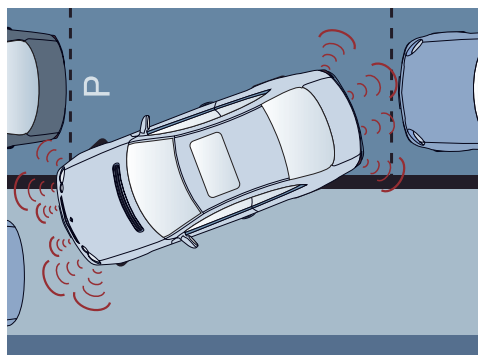
## 7G-TRONIC

7G-TRONIC is a 7-speed automatic transmission. Seven gear ratios provide a larger ratio spread and can react on the basis of smaller differences in engine speed. This produces faster, smoother shift operations which, in turn, make for smoother running and improved ride comfort. 7G-TRONIC employs the multiple downshift principle. This means that a number of gears can be skipped when shifting down. As a consequence, fuel consumption and emission levels are reduced.



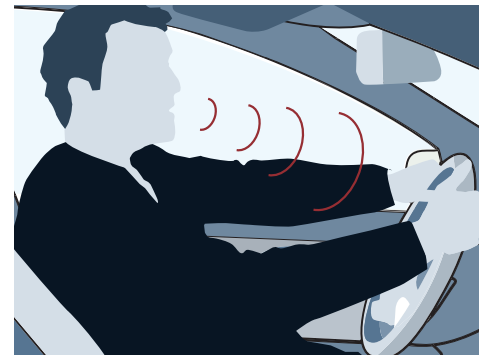
#### DISTRONIC

The DISTRONIC proximity control system helps you to keep a set distance from the vehicle in front in specific traffic situations (in the speed range from around 30 km/h to 180 km/h). A radar sensor registers your distance and speed relative to the vehicle ahead. If the distance falls below the set limit, the brakes will be activated if necessary. Once the distance increases again, the vehicle accelerates to the preset speed. Both vehicles and the distance between them are shown in the instrument cluster display. If the driver is required to brake heavily, an audible warning is also sounded.



#### PARKTRONIC

This electronic system helps you to park and to manoeuvre your way out of a tight parking spot. Like an echo sounder, it sends out ultrasonic signals which are bounced back off obstacles in your vehicle's path. Displays in the interior show how close the vehicle is to a detected obstacle. Depending on the distance, yellow or red signals provide warnings. If the gap falls below a certain limit, PARKTRONIC also emits a continuous warning tone.



#### LINGUATRONIC

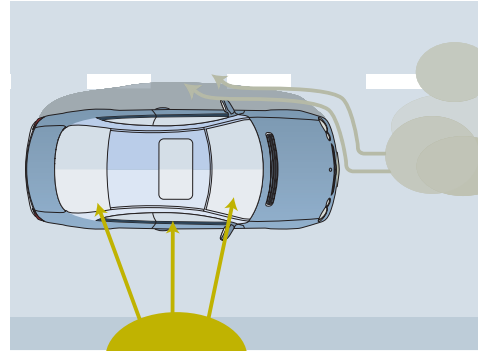
To control the audio, communication and navigation systems, all you need is your voice and LINGUATRONIC. The system helps enhance safety since it allows you to keep both hands on the steering wheel. If LINGUATRONIC is activated, your voice is all it takes to dial a telephone number or enter the destination in the navigation system. Only a few commands are required in order to operate the telephone. A selection of easy-to-remember commands allows you to dial, store numbers, call up your telephone directory and make calls.





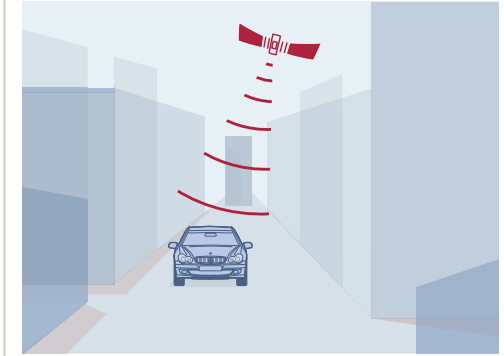
#### KEYLESS-GO

If you are carrying KEYLESS-GO, the electronic key, with you, all you need to do is take hold of the door handle to unlock the door. It's not magic - it's all down to radio frequency communication between the KEYLESS-GO key and the vehicle electronics. You don't even need to put the key in the ignition either: the engine can be turned on and off using a button on the selector lever in the centre console.



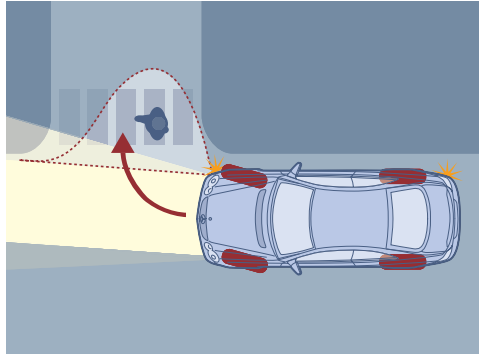
#### THERMOTRONIC luxury automatic climate control

THERMOTRONIC allows each occupant to choose his or her own preferred temperature and airflow settings. Sensors monitor the intensity of the sunlight and automatically adjust the interior temperature and blower settings for a pleasant atmosphere. The intake air quality is improved by a dust filter and an activated charcoal filter while a dew-point sensor monitors air humidity to prevent the windows from misting up. The nine-speed blower with its control unit behind the armrest optimises the heating or cooling effect for the rear-seat passengers.



#### COMAND APS

A DVD navigation module for most European countries can be added to the COMAND control and display system to create COMAND APS which works with the Global Positioning System, GPS. Enter your destination into the system, and COMAND APS works out the route. A voice or direction arrows in the display tell you which way to go. Dynamic route guidance is an additional service (available in Germany and some other European countries) which uses traffic information broadcast by radio stations to guide you around tailbacks where there is an alternative route.



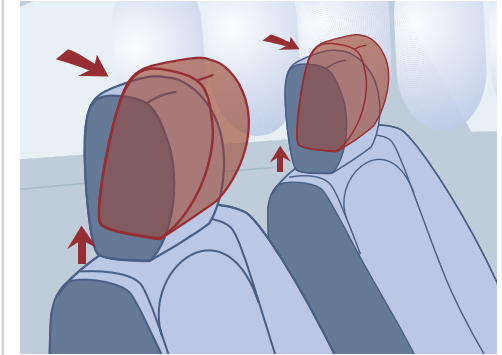
#### Cornering light

The new cornering light function extends the scope of the optional bi-xenon headlamps. By using the wider light beam from the front fog lamp, the cornering light function provides significantly improved illumination of the road into which the vehicle is turning. The left or right front fog lamp is switched on when the headlamps are on, the vehicle speed is less than 30 km/h and the indicators are operated or a given steering angle is applied. As a result, pedestrians and potential obstacles can be identified at an early stage and accidents avoided.



#### Airbags and belt system

The CLK-Class is equipped with selectively deploying two-stage front airbags. The severity of a collision determines whether one or both stages should be triggered, allowing the airbags to provide the right level of support for the situation in hand. The CLK Cabriolet also comes with head/thorax airbags to protect the chest and head areas. The CLK Coupé is fitted with sidebags and windowbags, which unfold like a curtain between the A and C-pillars. Belt tensioners for the front and outer rear seats react in an instant to pull the seat belts taut against the body in the event of a front or rear-end impact beyond a certain severity.



#### NECK-PRO

The new NECK-PRO crash-responsive head restraint system for the driver and front passenger provides more rapid support for the head in the event of a rear-end collision. Sensors trigger pre-loaded springs, which slide the head restraints 44 mm forwards and 30 mm upwards. NECK-PRO thus helps to minimise the risk of whiplash in rear-end collisions. The head restraints can be returned manually to their original position after the system has been activated.





### **Take-back of end-of-life vehicles. Coming full circle**

At the end of its long life, you can return your CLK-Class to us for environment-friendly disposal in accordance with the EC End-Of-Life Vehicle Directive<sup>1</sup>. But that day lies a long way off.

<sup>1</sup>Applies in accordance with national regulations to vehicles up to 3.5 t permissible gross weight. Mercedes-Benz vehicles have met the statutory regulations governing the suitability of the vehicle's design for reuse and recycling for a number of years now. A network of vehicle take-back depots and dismantlers has been established which will process your vehicle in an environment-friendly manner. The ways in which both vehicles and parts can be recovered are subject to ongoing development and improvement. Consequently, the CLK-Class will be able to comply with any future increases in the recycling quota within the stipulated time limits. For further information, please call 00800 1 777 7777.

Please note: changes may have been made to the products since this brochure went to press (15.02.2006). The manufacturer reserves the right to make changes to the design, form, colour and specification during the delivery period, provided these changes, while taking into account the interests of the vendor, can be deemed reasonable with respect to the purchaser. Where the vendor or the manufacturer uses symbols or numbers to describe an order or the subject of an order, no rights may be derived solely from these. The illustrations may show accessories and items of optional equipment which are not part of standard specification. Colours may differ slightly from those shown in the brochure, owing to the limitations of the printing process. This brochure has been compiled by DaimlerChrysler AG of Germany and is distributed internationally. It provides a general indication of the range of models, features, optional extras and/or colours available in various countries. Some of the models, features, optional extras and/or colours shown may not be available in your country or may only be available in a different specification. Additionally some models, features, optional extras and/or colours may only be available in combination with others. For current and more specific information in relation to the range of models, features, optional extras and/or colours available in your country, and their pricing, you should contact your nearest authorised Mercedes-Benz Passenger Car Dealer.