

This brochure has been compiled by DaimlerChrysler AG of Germany and is distributed internationally. It provides a general indication of the range of models, features, optional extras and/or colours available in various countries. Some of the models, features, optional extras and/or colours shown may not be available in your country or may only be available in a different specification. Additionally some models, features, optional extras and/or colours may only be available in combination with others. For current and more specific information in relation to the range of models, features, optional extras and/or colours available in your country, and their pricing, you should contact your nearest authorised Mercedes-Benz Passenger Car Dealer.





THE B-CLASS SPORTS TOURERS



Mercedes-Benz



S MB 110



Mercedes in new dimensions. The B-Class

What is your priority in a new car? Dynamism? Comfort? Or spaciousness, perhaps?

The B-Class saves you from having to opt for just one particular characteristic. It succeeds in combining the advantages of various different vehicle concepts in a Mercedes-Benz of a completely new type: the Compact Sports Tourer. The sporting credentials of this premium car are complemented by exceptional ride comfort, highly generous amounts of space and flexibility to match. All at just 4.27 m in length.

The B 200 TURBO with sports package and the B 150





The B 200 CDI with exterior chrome package

Contents

04	Design
06	Exterior
08	Interior
12	Sports package
16	Wheels
18	designo
20	Dynamism
22	Engines and transmissions
24	Ride comfort
26	Safety
30	Proportions
32	Adaptability
36	Mercedes-Benz accessories
38	Optional extras
43	Standard equipment
44	Paintwork and upholstery
50	Technical data
51	Dimensions
52	Glossary





The B 200 CDI with chrome package

If you want to cause a stir, opt for a practical car

The design of the Compact Sports Tourer

How do you design space? What shape is adaptability? What does comfort look like? The B-Class has new answers to all of these questions: adaptability which looks like power, space which exudes dynamism and comfort with a truly sporty feel.

The bonnet flows down into the broad radiator grille, creating the sporty wedge shape, and this look is underlined by the large air intakes in the bumpers and the design of the headlamps. The side contours also slope forward dynamically and flared wheel arches add a powerful touch.

Combined with extraordinary adaptability, this sporty design soon shows why the B-Class deserves the title Sports Tourer.



The distinctive headlamps set the tone at the front of the B-Class. Available as an option: bi-xenon headlamps with the cornering light function and the Active Light System. They have a distinctive design and provide enhanced illumination of the road. At the rear the horizontally split lights are an eye-catching feature. The optional exterior chrome package (standard on the B 200 CDI and B 200 TURBO) adds an elegant touch to the dynamic B-Class. It features various chrome trim parts, including trim strips on the door handles and chrome fog lamp surrounds



Embark on a voyage of discovery without moving a metre

Given the compact exterior dimensions of the B-Class, it's remarkable how generous the interior is – in terms of both space and comfort. The wide choice of colours and seat upholstery means that you can also give it a very individual look. And the materials, such as matt aluminium, are crafted to the high standard you expect to find in a Mercedes-Benz.

The seats are upholstered in “Utrecht” fabric in either orient beige, black or alpaca grey. The upholstery combination ARTICO man-made leather/“Maastricht” fabric (also part of the sports package) is available as an option. You can also opt to upholster your B-Class in sumptuous leather.

To ensure an optimum seating position, the driver's seat is height-adjustable as standard. A height-adjustable front-passenger seat forms part of the optional seat comfort package – which also features adjustable-angle seat cushions and lumbar supports on the front seats, the latter helping to prevent signs of fatigue by providing extra support for the back.

The B 150 upholstered in alpaca grey fabric







The design and materials on the centre console ensure that it is an eye-catching feature. At the same time, the layout is so clear that the driver is able to concentrate fully on the traffic, which may not be more attractive, but is certainly more important. The chrome-ringed circular instruments are also clearly laid out and attractively designed. The panoramic louvred sunroof provides an unrestricted view of the sky and opens at the touch of a button. Attention to detail is reflected in the glossy chromed door openers and in the fine myrtle wood**

**Optional extras*







The B 200 TURBO with sports package

Opt for the sports package and dynamism begins at 0 km/h

Dark-tinted tail lights, a large, oval tailpipe in polished stainless steel (twin tailpipes on B 200 TURBO), sports suspension and 17-inch 10-spoke light-alloy wheels – the B-Class with a sports package is a car that's simply begging to be driven. Even the rear bumper, with its decorative trim strips, is an eye-catching feature. And at the front end the distinctive, 3-slat design of the silver-coloured radiator grille adds a sporty touch.

The sports package also includes the exterior chrome package. Chrome trim – for example on the radiator grille, on the door handles and on the loading sill – adds a special sparkle to the B-Class.



Inside the B-Class, the full benefits of the sports package are revealed. The seats are upholstered in an ARTICO man-made leather/"Maastricht" fabric combination (pictured left: the optional leather upholstery). The instrument cluster is illuminated in white and the multi-function steering wheel features two aluminium highlights and fine leather trim with a partially perforated design. Adding a sporty finishing touch: the non-slip, studded pedals in brushed stainless steel





*From elegant to sporty –
the B-Class wheels.*

*A highlight: the option-
ally available 18-inch
AMG light-alloy wheels,
painted in sterling
silver (1). The B 200
TURBO and the
B 200 CDI are fitted
as standard with 16-inch
5-spoke light-alloy
wheels (2). 16-inch
5-twin-spoke light-alloy
wheels, painted in
sterling silver, are avail-
able as an option for
all B-Class models (3),
as are chromed 17-inch
5-spoke light-alloy
wheels (4). Even sportier:
the 17-inch 10-spoke
light-alloy wheels which
form part of the sports
package (5)*



2



3



4



5





If you want to give your B-Class a personality, why not your own?

With designo you'll feel truly at home in your B-Class – a sign of just how much scope you have when it comes to individualising the interior.

Four different designo leather/Alcantara combinations are available for the seats, including, for example, two-tone designo alpaca grey upholstery. The trim parts are manufactured from high-quality woods, in designo anthracite poplar or designo brown poplar, each combined with designo black piano lacquer. A combination of the wood of your choice and fine leather can also be found on the designo gearshift or selector lever. And there are high-quality, attractive velour floor mats, edged in designo leather. Further information can be found in our designo brochure.





The B 200 TURBO with sports package

If you enjoy a sporty drive, opt for a comfortable car

The dynamism of the Compact Sports Tourer

An invigorating driving experience means the B-Class is sure to set pulses racing, but it is equally adept at calming the mind with enviable ride comfort.

The driving pleasure is down to the high-torque engines, the manual transmission with its sportily direct tuning and the sophisticated handling systems.

And ride comfort comes courtesy of the smooth-running engines, the AUTOTRONIC continuously variable automatic transmission and the long wheelbase.



MB 110

The B-Class in top form: the top-of-the-line model is the B 200 TURBO, recognisable in visual terms by its twin tailpipe and in performance terms by its 142-kW (193-hp) output and 280-Nm torque. There are three other petrol models to choose from: the B 150, the B 170 and the B 200. The diesel models – the B 180 CDI with its 80-kW (109-hp) output and the B 200 CDI with 103 kW (140 hp) – are not only remarkably economical when it comes to consumption; thanks to common-rail technology they also achieve torque figures of up to 250 and 300Nm. It's amazing how sporty economical driving can be. And the B-Class is impressively green too – all of the engines comply with the EU4 standard on exhaust emissions and the diesel models come with a particulate filter which reduces particulate emissions by up to 95%.

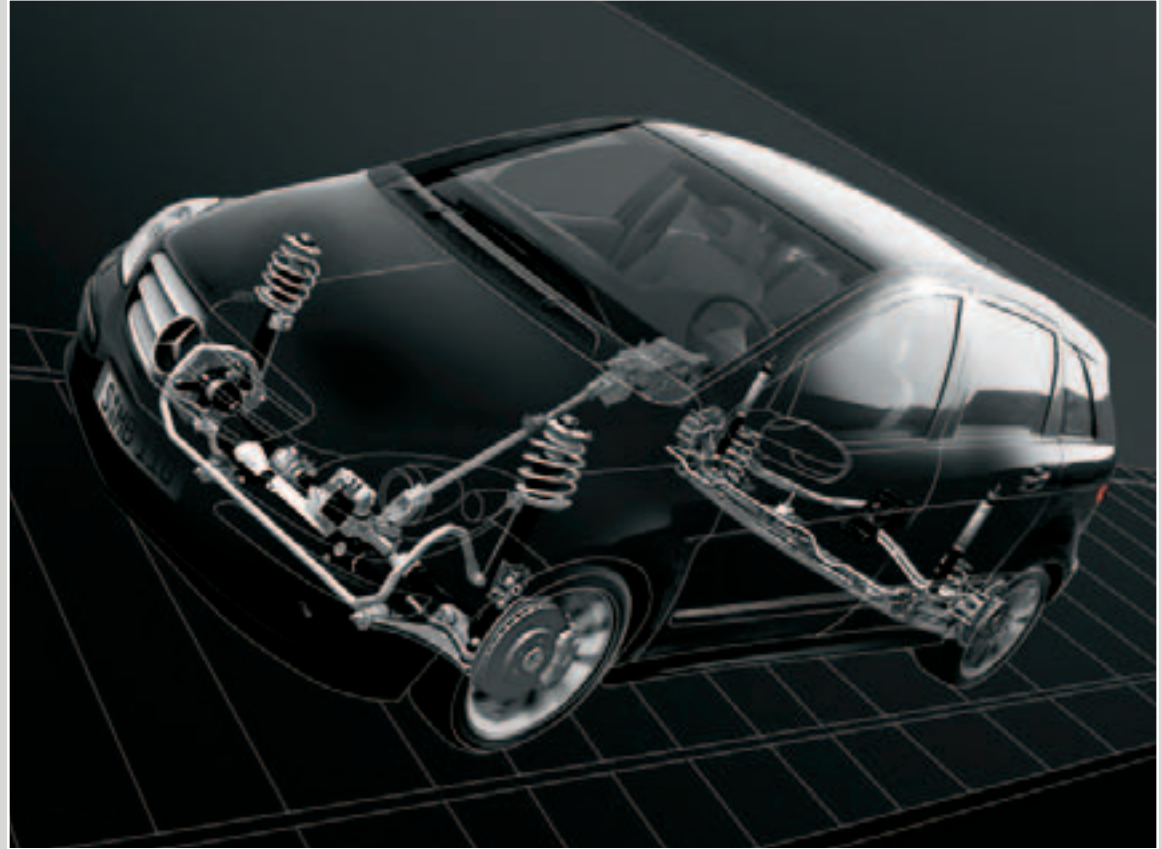
Whether sporty or relaxed, the B-Class transmissions master any style with ease. The B 150, B 170 and B 200 are fitted as standard with a 5-speed manual transmission, while the B 180 CDI, B 200 CDI and B 200 TURBO feature a 6-speed manual transmission. The AUTOTRONIC continuously variable automatic transmission is available as an option. It recognises your own personal driving style and adjusts the engine speed accordingly. Thanks to the continuously variable design of AUTOTRONIC the B-Class accelerates without interruptions to the power delivery – in other words exceptionally smoothly. And because the engine always operates in the optimum engine speed range, AUTOTRONIC also ensures low consumption. By nudging the selector lever or pressing the optionally available steering wheel gearshift buttons, you can also change manually between the virtual gears – for an even sportier drive.





Comfortable and dynamic driving – the B-Class manages to deliver both, thanks to the new suspension, the unusually wide track and the longest wheelbase in its class. With new-design shock absorbers and a selective damping system, the suspension also reacts smoothly to minor bumps in the road, adapting the damping as required. The parabolic axle makes the suspension more stable on bends, improves wheel location and reduces tyre wear. All of which ensures that the B-Class handles sportily and precisely, even with a full load.

To enhance stability, the car is fitted with the Electronic Stability Program (ESP®) and with STEER CONTROL. With this steering assistance system, if the vehicle begins to skid, a distinct impulse in the steering wheel helps the driver to countersteer in the correct direction.





Safety is another of the B-Class' strengths. The car design is based on the sandwich concept, which means that in the event of a front impact the engine and transmission are able to slide down along the angled pedal floor below the passenger compartment. Because your seating position is slightly higher in the B-Class than in a conventional car, the sandwich concept can also be a crucial advantage in the event of a side-on collision. It also means that you benefit from better all-round visibility.



If you don't like driving in the dark, there's no need to any more

Just because the sun has gone down, there's no reason to be kept in the dark. The optionally available bi-xenon headlamps provide significantly better illumination than the conventional halogen version. The bi-xenon package includes a headlamp cleaning system, automatic range adjustment, the cornering light function and the Active Light System. With the latter, the bi-xenon headlamps follow your steering movements, providing significantly enhanced illumination on bends and ensuring that the course of the bend and any obstacles are visible at an earlier stage. The cornering light function provides assistance at lower speeds. It is integrated into the main headlamps and improves visibility when turning or cornering, negotiating tight bends and parking.

The B 200 TURBO with sports package









If you need a lot of space, opt for a compact car

The proportions of the Compact Sports Tourer

Don't be deceived by its compact 4.27-metre length – inside, the B-Class has such a comfortable and generous feel that, even after a long journey, you'll still feel fresh and relaxed. Even the rear-seat passengers enjoy almost as much legroom, shoulder room and headroom as in a luxury saloon.

And if you're wondering how much luggage you can take with you, the B-Class has more than one answer. Even with the rear seats occupied, there's plenty of space in the luggage compartment: with a depth of 89.8 cm and a capacity of 544 litres, there's space for at least six large crates of drinks. There's even enough for a medium-sized pushchair. But that's by no means all. The B-Class is so adaptable that in next to no time you can create a load area up to 2.95 metres in length and a load capacity of up to 2245 litres (in conjunction with the EASY-VARIO system). That's the equivalent of around 18 fully laden shopping trolleys. Well, you never know...





Fold down the rear seats and in next to no time you have a totally flat, extended loading area. If necessary you can also lower the height of the load compartment floor by 8.5 cm – for even more load capacity. With TIREFIT tyre sealant, there's no need for a spare wheel – which means you can stow the two rear seat cushions in the spare wheel recess beneath the load compartment floor, adding further depth to the load area

The B150 with alpaca grey fabric upholstery



How many seats there are on board your B-Class is up to you. The rear bench seat (which splits 1/3:2/3) and the front passenger seat can be folded forwards as standard, allowing you to pack objects up to 2.54 metres in length into the B-Class. If you want to transport skis, you can opt for a folding, removable armrest for the centre rear, and a ski bag is available as part of the Mercedes-Benz accessories range.

The EASY-VARIO system, available as an optional extra, makes your B-Class even more adaptable, by allowing the rear seatbacks and the front passenger seat to be removed very easily, creating a flat loading area measuring up to 2.95 metres in length.





The B-Class – encouraging your sporting ambitions. The practical interior bicycle rack, supplied with a front wheel bag, is available from our range of accessories and allows you to protect your cycles from both the weather and theft. Drag is naturally lower than when using a roof-mounted bicycle rack, helping to reduce your fuel consumption



The B 150

Hankering for that extra finishing touch? We've already thought of it

Say, for example, you want your B-Class to have an even more dynamic rear. You'll find exactly what you're looking for in our accessories range: our bodystyling kit comprises rear apron trim, a roof spoiler and front apron spoiler lips.

Our range also includes features designed to make more practical use of the rear of your car. There's a secure bicycle rack, for example, which can be fitted to the tailgate and holds two cycles. If you're looking for additional stowage space, there's a spacious roof box with an elegant design. Available in three versions, it has a capacity of approximately 330 to 450 litres. For further information on these and other accessories, such as our 17-inch Incenio designer wheels, please see our accessories brochures.

If you want to feel like you're in a cabriolet, you need the right roof over your head

The panoramic sunroof, made from laminated safety glass, bathes the interior in light and creates a satisfying sense of space. Another optional extra is the panoramic louvred sunroof, which provides even more light and sunshine, opening significantly wider than conventional sliding sunroofs. At the touch of a button, the front louvre tilts upwards, acting as a wind deflector, and the other four louvres can be slid back to any position you like. Both roofs feature a manually operated twin roller blind, designed to provide protection from the sun.

The B 200 TURBO with sports package









The COMAND APS control and display system with DVD navigation works out your route and shows it on the colour display. COMAND APS also offers convenient controls for the radio, CDs, telephone and SMS. Also available: the Audio 50 APS with its CD navigation system, integral radio with a CD player, telephone keypad and 6 loudspeakers. The harman/kardon LOGIC 7® surround sound system, with its 12 loudspeakers and 320-Watt amplifier, offers sheer indulgence for your ears



Optional extras

Selection

18-inch 5-spoke AMG light-alloy wheels

Anti-theft alarm system with tow-away protection

Audio 50 APS with CD navigation system,
Audio 20 CD, Audio 5 CD

AUTOTRONIC continuously variable automatic transmission

Bi-xenon headlamps with headlamp cleaning system,
incl. Active Light System and cornering light function

Child seat recognition in front passenger seat (automatic)
for child seats with transponder specifically approved
by Mercedes-Benz

COMAND APS with DVD navigation system

Cruise control with SPEEDTRONIC

EASY-VARIO system, with: removable rear seat backrests
(1/3 and 2/3 section) and removable front passenger seat

Electrically folding exterior mirrors left and right

Folding and removable rear armrest
incl. through-loading facility, with cup holder

Front sports seats

Heated front seats

Loudspeaker system with central speaker and woofer

Panoramic louvred sunroof

Panoramic sunroof

PARKTRONIC parking aid

Power windows at rear, with automatic one-touch up/down
control, summer opening function and convenience closing

Pre-installation for mobile phone with universal interface
for various mobile-phone holders in centre console/armrest,
incl. hands-free system, operation via multifunction steering
wheel and amplifier for aerial and GSM wiring

Sidebags for the rear

Sports suspension

Steering wheel gearshift buttons

Surround sound system harman/kardon LOGIC 7®

THERMOTRONIC luxury automatic climate control

Windowbags

Equipment packages

Exterior chrome package¹, consisting of: radiator grille with
chrome slats, tailpipe with oval, polished stainless steel
embellisher, rear bumper with chrome trim strip, wind-
screen with blue filter band, exterior mirrors in vehicle
colour, rub strips with chrome trim, high-gloss Crosspoint
trim transfers for B-pillars, waistline trim with chrome,
door handles in vehicle colour with chrome trim, side skirt
trim in vehicle colour, chromed loading sill and load
compartment floor handle, chrome fog lamp surround

Exterior sight & light package, consisting of: windscreen
wipers with rain sensor, windscreen with blue filter band,
automatic headlamp activation, headlamp switch-off delay,
locator lighting and bulb failure indicator

Myrtle wood trim: for ashtray lid, shiftgate surround,
door lining, centre console and tunnel

Interior lighting package, consisting of: individually
controlled left/right-hand reading lights in the rear com-
partment, reading light for the driver, sun visor with
illuminated vanity mirror and illuminated front footwells

**Leather steering wheel, gearshift lever and handbrake
lever**¹, plus instrument cluster with white dial illumination

Seat comfort package, consisting of: height adjustment
for the front passenger seat, seat cushion angle adjustment
and lumbar support for driver and front passenger seats

Sports package, as exterior chrome package, but with 3-slat
radiator grille with chrome trim and large exhaust tailpipe
with polished stainless steel embellisher, plus: instrument
cluster with white dial illumination, seats in ARTICO
man-made leather/"Maastricht" fabric combination, steering
wheel with two aluminium highlights and perforated
leather, leather gearshift lever with aluminium cap, leather
handbrake lever, pedals with stainless steel caps and rubber
studs, dark-coloured rear light meander, decorative strips
on the rear bumper, 17-inch 10-spoke light-alloy wheels,
sports suspension

Standard equipment

Selection

5-speed manual transmission ² or 6-speed manual transmission ³
Active front head restraints, adjustable for height and angle
Adaptive front airbags and head/thorax sidebags for driver and front passenger (sidebags in seatbacks offer additional protection for head)
Air conditioning system with dust filter, air recirculation function and air-conditioned glove compartment
Aluminium trim strips on door panels, centre console and tunnel
Anti-lock braking system (ABS)
ASSYST service interval indicator
Belt status indicator for rear seats
Bottle holders in doors, cup holders in centre console
Brake Assist (BAS)
Central locking with interior switch
Diesel particulate filter
Door sill panels with aluminium inserts, front panels featuring “Mercedes-Benz” lettering
Driver’s seat with manual height adjustment
Electronic immobiliser, incl. locking system with remote control and visual lock confirmation (recognised by AZT [Allianz Technology Centre] and TÜV [German technical inspection authorities])
Electronic Stability Program (ESP®)
Front armrest with compartment featuring one-touch opening mechanism
Front passenger seat with forward-folding backrest
Front seat belts with belt tensioners and adaptive belt force limiters, height-adjustable; rear seat belts with belt tensioners and automatic belt height adjustment (outer seats)

Heated exterior mirrors left and right, electrically adjustable from inside the vehicle, with aspherically curved mirror glass
Height-adjustable load compartment floor (2 levels)
ISOFIX child seat attachment points with TopTether in rear
Jack, TIREFIT tyre sealant and electric pump
Load compartment cover
Manual childproof locks on rear doors
Multifunction steering wheel
Outside temperature display
Parabolic rear axle
Power windows at the front (2) with one-touch down control
Projection-beam headlamps and fog lamps
Radiator grille painted in silver
Rear head restraints (3), retractable and adjustable for height and angle
Rear windscreen wiper with intermittent wipe setting and one-touch control
Rub strips front and rear, painted in vehicle colour
Seat occupancy sensor in front passenger seat
Selective damping system
Speed-sensitive power steering, with Steering Assist
Split-folding rear bench seat (1/3 : 2/3), rear seat cushions removable
Steering column with manual height adjustment
Tinted windows all round
Tyre pressure loss warning system

¹ Standard equipment for the B 200 CDI and B 200 TURBO.

² Standard equipment for the B 150, B 170 and B 200.

³ Standard equipment for the B 180 CDI, B 200 CDI and B 200 TURBO.

Countless ways to create a unique look

From cosmos black and saturn red to horizon blue: the B-Class' accommodating nature even extends to the choice of paintwork. To coordinate with the various paint finishes, we offer an attractive upholstery selection and a whole range of trim elements in elegant aluminium or, as an option, in fine myrtle wood.





Paintwork and upholstery – the combination options

	<i>“Utrecht” fabric</i>			<i>ARTICO man-made leather/ “Maastricht” fabric combination¹</i>			<i>Leather²</i>			<i>Sports seats ARTICO man-made leather/ “Zandvoort” fabric combination²</i>			<i>designo Leather/Alcantara²</i>			
	black	orient beige	alpaca grey	black	orient beige	alpaca grey	black	orient beige	alpaca grey	black	black	black ³	java ⁴	alpaca grey ⁴	atoll blue ⁴	
<i>Non-metallic paints</i>																
glacier white	●	○	●	●	○	●	●	○	●	●	●	●	○	●	●	
jupiter red	●	○	●	●	○	●	●	○	●	●	●	●	●	●	●	
night black	●	●	●	●	●	●	●	●	●	●	●	●	○	○	–	
<i>Metallic paints</i>																
cosmos black	●	●	●	●	●	●	●	●	●	●	●	●	●	●	–	
atoll blue	●	●	●	●	●	●	●	●	●	●	●	●	○	●	●	
saturn red	●	●	●	●	●	●	●	●	●	●	●	●	●	○	–	
comet grey	●	○	●	●	○	●	●	○	●	●	●	●	○	●	–	
polar silver	●	–	●	●	–	●	●	–	●	●	●	●	○	●	●	
sand dune beige	●	●	–	●	●	–	●	●	–	●	●	●	○	–	–	
mangrove green	●	●	●	●	●	●	●	●	●	●	●	●	●	○	–	
horizon blue	●	–	○	●	–	○	●	–	○	●	●	●	–	○	○	

● Recommended ○ Possible – Not available

¹Optional and part of the sports package

²Optional

³Single-tone

⁴Two-tone

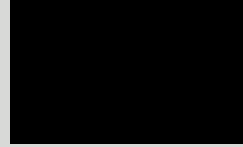
Non-metallic
paints



153 glacier white



589 jupiter red

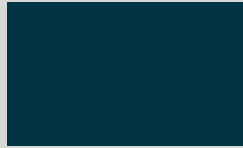


696 night black

Metallic paints
optional



191 cosmos black



375 atoll blue



597 saturn red



748 comet grey



761 polar silver



791 sand dune beige



801 mangrove green



391 horizon blue

**Standard
seats**

*“Utrecht” fabric
standard*



451 black

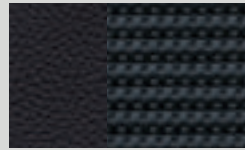


455 orient beige



458 alpaca grey

*ARTICO man-made leather/
“Maastricht” fabric combination
optional and part of
the sports package*



701 black

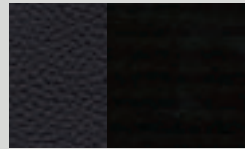


705 orient beige

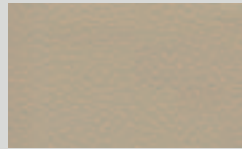


708 alpaca grey

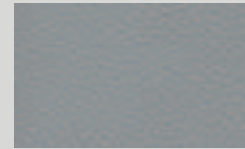
*Leather
optional*



801 black



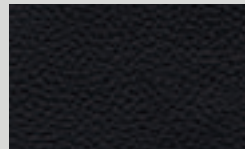
805 orient beige



808 alpaca grey

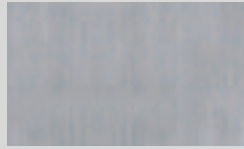
**Sports
seats**

*ARTICO man-made
leather/“Zandvoort”
fabric combination
optional*

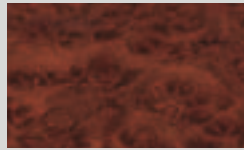


751 black

Trim elements

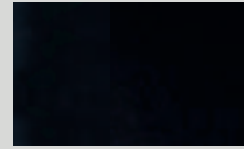


aluminium¹

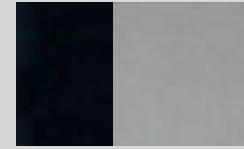


727 myrtle wood²

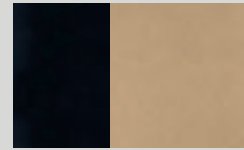
designo
*Leather/Alcantara
combination
optional extra*



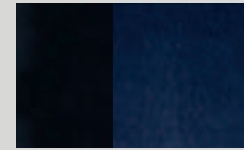
X20 designo black



X90 designo alpaca grey



X91 designo java



X92 designo atoll blue

Trim³
optional extra



W62 designo anthracite poplar



W68 designo brown poplar

¹ Standard

² Optional

³ Included with designo leather/Alcantara upholstery

Technical data

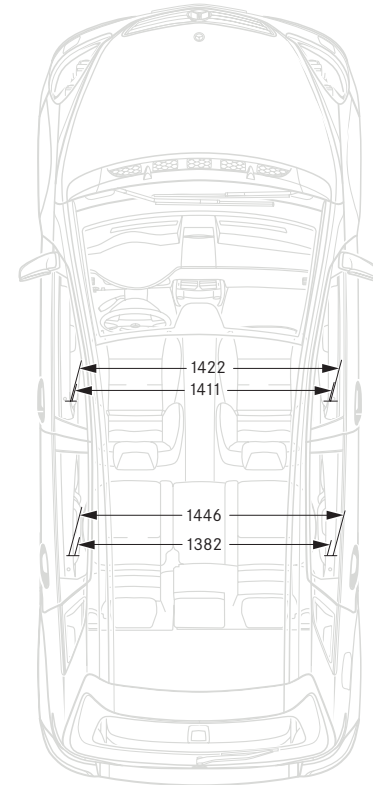
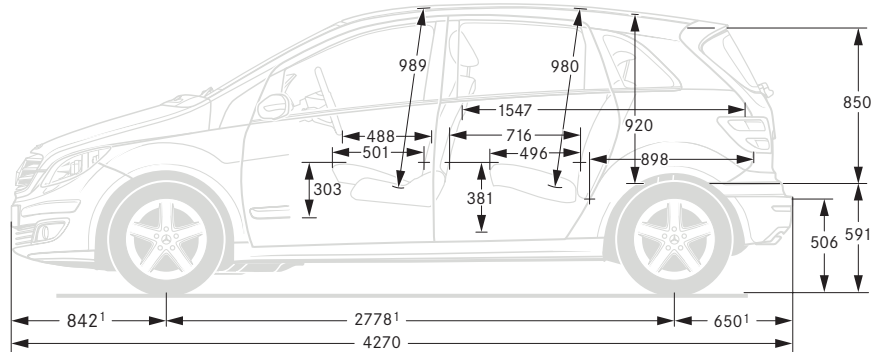
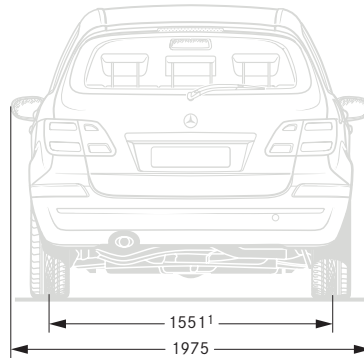
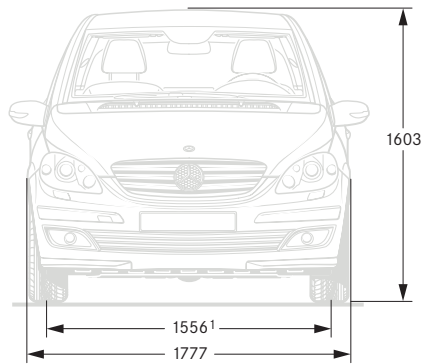
	<i>B 180 CDI</i>	<i>B 200 CDI</i>	<i>B 150</i>	<i>B 170</i>	<i>B 200</i>	<i>B 200 TURBO</i>
No. of cylinders/arrangement	4/in-line	4/in-line	4/in-line	4/in-line	4/in-line	4/in-line
Total displacement (cc)	1991	1991	1498	1699	2034	2034
Rated output (kW at rpm) ¹	80/4200	103/4200	70/5200	85/5500	100/5750	142/5000
Rated torque (Nm at rpm) ¹	250/1600–2600	300 ² /1600–3000	140/3500–4000	155/3500–4000	185/3500–4000	280/1800–4850
Compression ratio	18	18	11	11	11	9
Alternator (V/A)	14/150	14/150	14/90	14/90	14/115	14/115
Acceleration (0–100 km/h in s)	11.3	9.6	13.2	11.3	10.1	7.6
Top speed, approx. (km/h)	183	200	174	184	196	225
Tyre size	205/55 R 16	205/55 R 16	195/65 R 15	195/65 R 15	205/55 R 16	205/55 R 16
Fuel consumption (l/100 km) ³						
urban (automatic transmission)	7.2–7.6 (7.3–7.9)	7.2–7.6 (7.6–8.0)	8.3–8.5 (8.5–9.3)	8.6–9.0 (9.0–9.8)	9.3–9.6 (9.5–10.4)	10.5–11.0 (10.5–10.7)
extra-urban (automatic transmission)	4.6–4.7 (4.9–5.3)	4.6–4.7 (5.0–5.3)	5.6–5.8 (6.0–6.2)	5.8–6.0 (6.0–6.3)	6.0–6.3 (6.0–6.6)	6.4–6.6 (6.7–6.8)
combined (automatic transmission)	5.6–5.8 (5.9–6.2)	5.6–5.8 (6.0–6.3)	6.6–6.8 (6.9–7.3)	6.8–7.1 (7.1–7.6)	7.2–7.5 (7.3–8.0)	7.9–8.2 (8.1–8.2)
CO ₂ emissions (g/km) ³ (automatic transm.)	146–151 (157–164)	146–151 (159–165)	158–163 (166–175)	163–171 (171–182)	173–180 (175–192)	190–197 (195–197)
Tank capacity (l/of which reserve approx.)	54/6	54/6	54/6	54/6	54/6	54/6
Turning circle diameter (m)	11.95	11.95	11.95	11.95	11.95	11.95
Kerb weight (kg) ⁴	1435	1435	1300	1310	1345	1370
Perm. gross vehicle weight (kg)	1880	1880	1835	1830	1880	1880

¹Figures according to Directive 80/1269/EEC, version 1999/99/EC.

²280 Nm with automatic transmission.

³The figures shown were obtained in accordance with the prescribed measuring process (Directive 80/1268/EEC in the currently applicable version). The figures are not based on an individual vehicle and do not constitute part of the product offer; they are provided solely for purposes of comparison between different vehicle models.

⁴Figures according to Directive 92/21/EC, version 95/48/EC (kerb weight with fuel tank 90% full, driver, 68 kg, and luggage, 7 kg) for standard-specification vehicles. Optional extras and accessories will generally increase this figure and reduce the payload capacity accordingly.



All figures in mm. Dimensions when unladen

¹Carrying 3 people, each weighing 68 kg



Body structure (sandwich concept)

In the B-Class the transverse-mounted engine unit is angled forwards at around 58 degrees. This means that in the event of a frontal collision it slides away along the angled pedal floor below the passenger compartment, which is around 200 mm higher than in a conventional car. Thanks to this sandwich concept the B-Class meets the stringent Mercedes-Benz safety standards, despite its compact dimensions.



Airbags and belt system

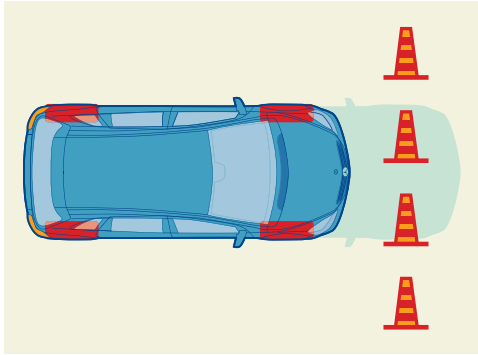
The B-Class is fitted with selective front airbags which are activated in accordance with the type and severity of a collision. In the event of a frontal collision the electronics deploy the front airbags in two stages, depending on the severity of the accident, offering the front occupants an appropriate level of protection. Head/thorax bags are incorporated in the sides of the front seatbacks. Optional windowbags expand like a curtain between the A and C-pillars, providing extra protection for the heads of occupants of the front and outer rear seats. Belt tensioners on the front and outer rear seats pull the belts taut against the body in fractions of a second in the event of a frontal or rear-end collision of a specific severity. The belt force limiters increase occupant



safety in a frontal collision by releasing the tension in a controlled manner once a set limit has been reached. The most important retention system is the seat belt. Airbags can provide additional protection, but are subject to complex activation criteria and are not, therefore, triggered in the event of every accident. Details can be found in the Owner's Manual or the "Seat Belts and Airbags" brochure, which can be downloaded as a pdf file at:

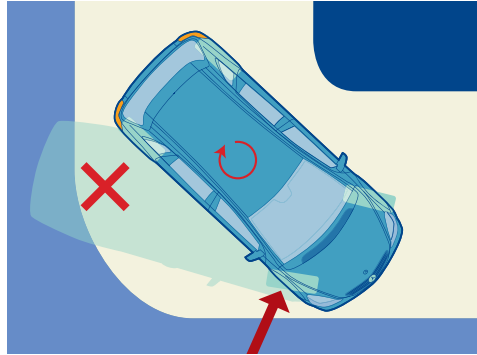
www.mercedes-benz.com/airbag-brochure

You can also order copies from: Mercedes-Benz Customer Assistance Centre, "Airbag brochure", PO-box 14 56, 6201 BL Maastricht, Netherlands.



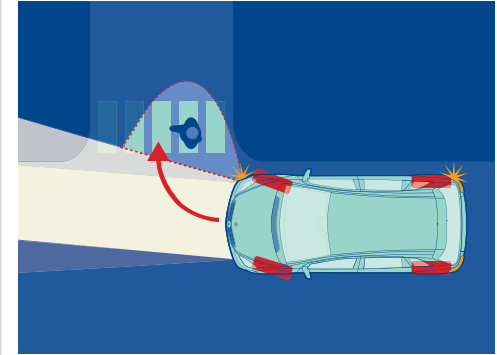
BAS

The electronic Brake Assist system (BAS) recognises emergency braking by the speed with which you apply the brake and instantly builds up the maximum braking force, bringing the car to a standstill faster. Thanks to the anti-lock braking system (ABS), the wheels do not lock when automatic emergency braking is triggered and the car remains steerable. When the driver takes his or her foot off the brake pedal again, BAS is automatically deactivated.



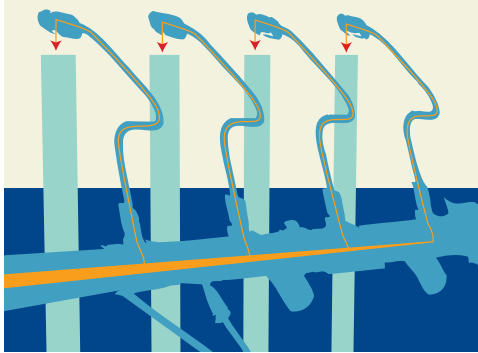
ESP® and STEER CONTROL

If your car is in danger of skidding, the Electronic Stability Program (ESP®) is instantly activated. The sensors recognise critical dynamic handling situations at an early stage. If, for example, a wheel is spinning or is in danger of losing contact with the road, ESP® brakes it in order to stabilise the vehicle. If required, the engine output is also adapted. The new STEER CONTROL steering assistance system helps the driver to stabilise the vehicle. If the vehicle starts to skid, a clear impulse in the steering wheel helps the driver to countersteer in the correct direction.



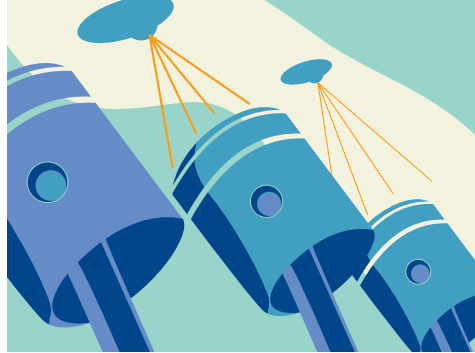
Active Light System and cornering light function

When you negotiate a bend with the headlamps switched on, the light from them is usually directed straight ahead. The bi-xenon headlamps with the Active Light System improve illumination of bends by up to 90% by following the steering movements of the wheels. The cornering light function provides extra assistance on tight bends, when turning or cornering, or when parking or manoeuvring, helping you to detect any obstacles earlier than was previously possible.



Common-rail diesel engines

Smooth and quiet operation, economy, low emissions and driving pleasure – the special qualities of the common-rail diesel engines. The source of this all-round talent is a common fuel supply pipe, or rail, which keeps the fuel at a permanently high pressure of around 1600 bar throughout the entire engine speed range and injects precisely metered quantities of fuel into the combustion chambers. The result is a reduction in fuel consumption and lower pollutant emissions. Noise emissions and engine vibration have also been significantly reduced. The good torque values are the result of, among other things, the turbocharger with a variable nozzle turbine (VNT) and the charge-air cooling.



Petrol engine with turbocharger

For higher output and torque, the 2-litre version of the petrol engine is available with an exhaust gas turbocharger. In the B 200 TURBO the air flows through an additional pipe from the filter to the turbocharger and from there to the charge-air cooler. The special construction of the charger results in a spontaneous response and keeps the 280-Nm torque virtually constant across a broad engine speed range of between 1800 and 4850 rpm, producing extraordinarily impressive acceleration and in-gear flexibility.



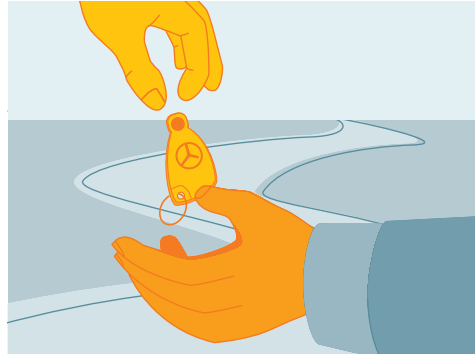
AUTOTRONIC

The AUTOTRONIC continuously variable automatic transmission ensures smooth gear changes, offering appreciably enhanced comfort when compared with conventional automatic transmissions. Because the power delivery is uninterrupted, performance is also enhanced. The driver has the option of changing gear manually if required and can choose between two shift modes. Comfort mode (C) reduces fuel consumption and ensures a smooth drive, thanks to low engine speeds, while Sports mode (S) adapts to the driver's driving style and increases or decreases the engine speed as required.



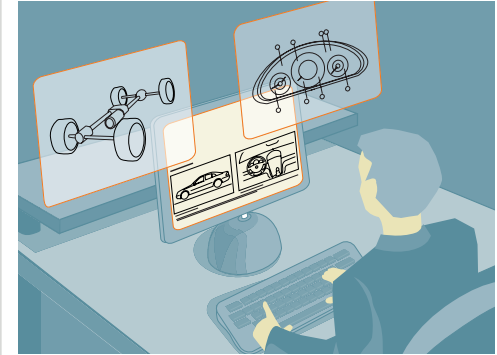
MobiloLife

Our mobility and warranty package ensures that you reach your destination – whether you have lost your key or the car has broken down and cannot be repaired immediately. It applies in almost every country in Europe. Under some circumstances we even meet the cost of an airline ticket or put you up in a hotel of your choice. Just call Mercedes-Benz on 00800 1 777 7777 from almost any European terrestrial or mobile network and our Service 24h team will help – around the clock, 365 days a year. MobiloLife applies to a new vehicle for a period of 2 years. It is then automatically renewed every time a service is carried out by a Mercedes-Benz service centre, remaining valid until the next service is due – for a maximum of 30 years.



DaimlerChrysler Bank – financial services

If you have already set your heart on your dream Mercedes and want to remain flexible in financial terms, our leasing, financing and insurance packages could be exactly what you're looking for. The on-line calculator allows you to work out your monthly payments for yourself. In addition to individually geared financial services, we can also offer you tailor-made investment products. For further information, visit: www.daimlerchrysler-bank.com. Or call us on 0 18 03-32 22 65 (9 ct/min) or 0 18 03 - DC BANK (9 ct/min).



Interactive Owner's Manual

Almost as good as a test drive: the interactive Owner's Manual from Mercedes-Benz. Find out for yourself how it will feel to drive your new Mercedes – it's an experience that's only a mouse click away. Our website features informational clips and simulations designed to help you familiarise yourself with the various functions of your new car. Discover the technical facts and figures and get a clear picture of the features that await you inside – including the multifunction steering wheel and the COMAND APS navigation system. For further details, go to: www.mercedes-benz.de/betriebsanleitung

The B 200 CDI with exterior chrome package





Take-back of end-of-life vehicles. Coming full circle

At the end of its long life, you can return your B-Class to us for environment-friendly disposal in accordance with the EU End-of-Life Vehicle Directive¹.
But that day lies a long way off.

¹Applies in accordance with national regulations to vehicles up to 3.5 t permissible gross weight. The B-Class already meets the statutory regulations governing the suitability of the vehicle's design for reuse and recycling. A network of vehicle take-back depots and dismantlers has been established which will process your vehicle in an environment-friendly manner. The ways in which both vehicles and parts can be recovered are subject to ongoing development and improvement. Consequently, the B-Class will be able to comply with any future increases in the recycling quota within the stipulated time limits.

For further information, please call 00800 1777 7777.

Please note: changes may have been made to the product since this brochure went to press (08.08.05). The manufacturer reserves the right to make changes to the design, form, colour and specification during the delivery period, provided these changes, while taking into account the interests of the vendor, can be deemed reasonable with respect to the purchaser. Where the vendor or the manufacturer uses symbols or numbers to describe an order or the subject of an order, no rights may be derived solely from these. The illustrations may show accessories and items of optional equipment which are not part of standard specification.

Colours may differ slightly from those shown in the brochure, owing to the limitations of the printing process. This brochure is distributed internationally. However, information given regarding statutory regulations, legal requirements and taxation applies only to the Federal Republic of Germany at the time of going to press. Please consult your Mercedes-Benz dealer for final details and for information about the statutory regulations and legal requirements which apply in other countries.