

P82-0049-B13

### Replacing Wiper Blades

For safety reasons, remove key from steering lock before replacing a wiper blade, otherwise the motor can suddenly turn on and cause injury.

### Windshield Wiper Blade

Removal:

Fold wiper arm forward. Press safety tab down (1), push wiper blade downward (2) and remove.

Installation:

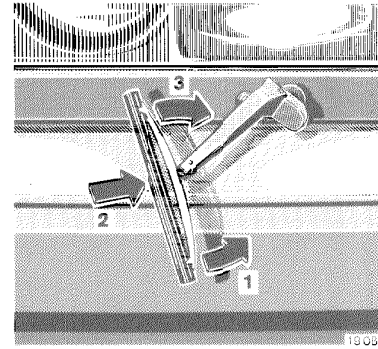
Press safety tab of new wiper blade down. Insert wiper blade between tabs (3) on the wiper arm and slide into end of wiper arm. Then press safety tab upward until it locks in place.

Note:

Do not open engine hood with wiper arm folded forward.

Do not allow wiper arm to contact the windshield glass without wiper blade inserted. The glass may be scratched or broken.

Make certain that the wiper blade is properly installed. An improperly installed blade may cause windshield damage.



13 05

### Headlamp Wiper Blades

Removal:

Pull wiper arm forward. Fold wiper blade in direction of arrow (1) to remove wiper blade.

Installation:

Place wiper blade on wiper arm, see arrow (2). Fold wiper blade in direction of arrow (3) onto wiper arm until it locks in place.