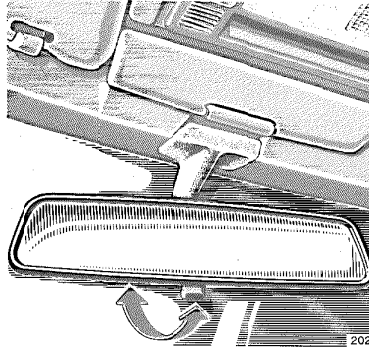


Inside and Exterior Rear View Mirrors

Inside Rear View Mirror

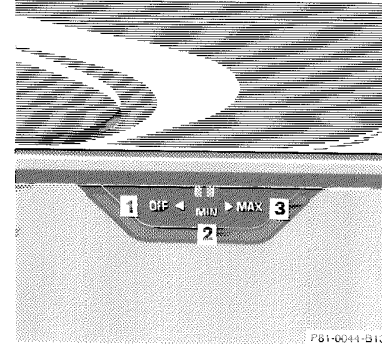
Use your inside mirror to determine the size and distance of objects seen in the passenger side convex mirror.



Antiglare Night Position

Manual adjustment

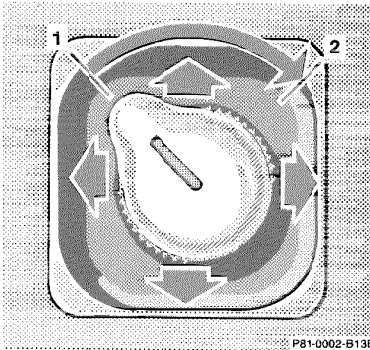
Tilt the mirror to the antiglare night position using the lever at its lower edge.



Automatic adjustment

With the key in steering lock position 2, the mirror reflection brightness responds to changes in light sensitivity depending on the switch setting:

- 1 Normal reflection
- 2 Automatic dimming (variable antiglare)
- 3 Automatic dimming (quickly reacting variable antiglare)



Exterior Rear View Mirrors

The switch is located in the center console.

Turn key in steering lock to position 2.

First select the mirror to be adjusted – turn switch:

- 1 Left mirror
- 2 Right mirror

To adjust, move the switch forward, backward or to either side.

Warning!

Exercise care when using the passenger-side mirror. The passenger-side exterior mirror is convex (outwardly curved surface for a wider field of view). Objects in mirror are closer than they appear. Check your inside rear view mirror or glance over your shoulder before changing lanes.

Note:

The exterior mirrors have electrically heated glass. The heater switches on automatically, depending on outside temperature.

If the mirror housing is forcibly pivoted from its normal position, it must be repositioned by applying firm pressure until it snaps into place.