

### Replacing Wiper Blades

For safety reasons, remove key from steering lock before replacing a wiper blade, otherwise the motor can suddenly turn on and cause injury.

### Windshield Wiper Blade

#### Removal:

Fold wiper arm forward. Press safety tab down (1), push wiper blade downward (2) and remove.

#### Installation:

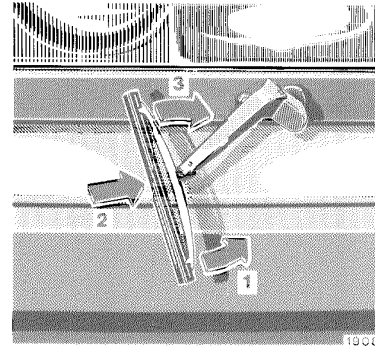
Press safety tab of new wiper blade down. Insert wiper blade between tabs (3) on the wiper arm and slide into end of wiper arm. Then press safety tab upward until it locks in place.

#### Note:

Do not open engine hood with wiper arm folded forward.

Do not allow wiper arm to contact the windshield glass without wiper blade inserted. The glass may be scratched or broken.

Make certain that the wiper blade is properly installed. An improperly installed blade may cause windshield damage.



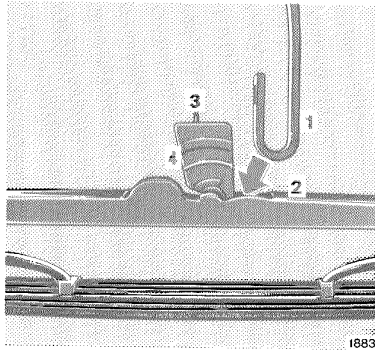
### Headlamp Wiper Blades

#### Removal:

Pull wiper arm forward. Fold wiper blade in direction of arrow (1) to remove wiper blade.

#### Installation:

Place wiper blade on wiper arm, see arrow (2). Fold wiper blade in direction of arrow (3) onto wiper arm until it locks in place.



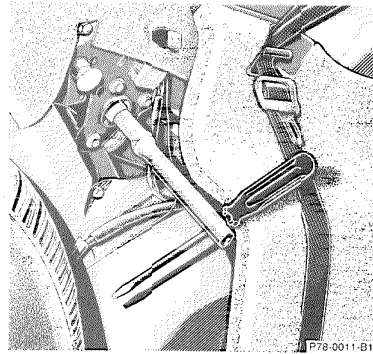
### Rear Window Wiper Blade

#### Removal:

Fold wiper arm (1) away from rear window and rotate wiper blade (2) until perpendicular to wiper arm. Press safety tab (3) on pivot (4) and slide wiper blade out of wiper arm.

#### Installation:

Slide wiper blade onto wiper arm (arrow). Lock pivot in place on wiper arm end.



Remove small access plug in left sidepanel of cargo area. Insert socket wrench (from tool kit) through opening in panel and place on the hexdrive of the electric motor. Turn socket wrench (manually) to open or close roof as desired.

To slide the roof closed or to raise the roof at the rear: turn clockwise.

To slide the roof open or to lower the roof at the rear: turn counter-clockwise.