



P5

AR47.10-P-7000GH

Removing and installing fuel level gage sensor

17.3.97

MODEL 163.136 with ENGINE 111.977**MODEL 163.154 with ENGINE 112.942****MODEL 163.172 with ENGINE 113.942**

- 89 Union nut
89/2 Seal
90/10 Fuel suction pipe
B4 Fuel gage sensor
M3 Fuel pump

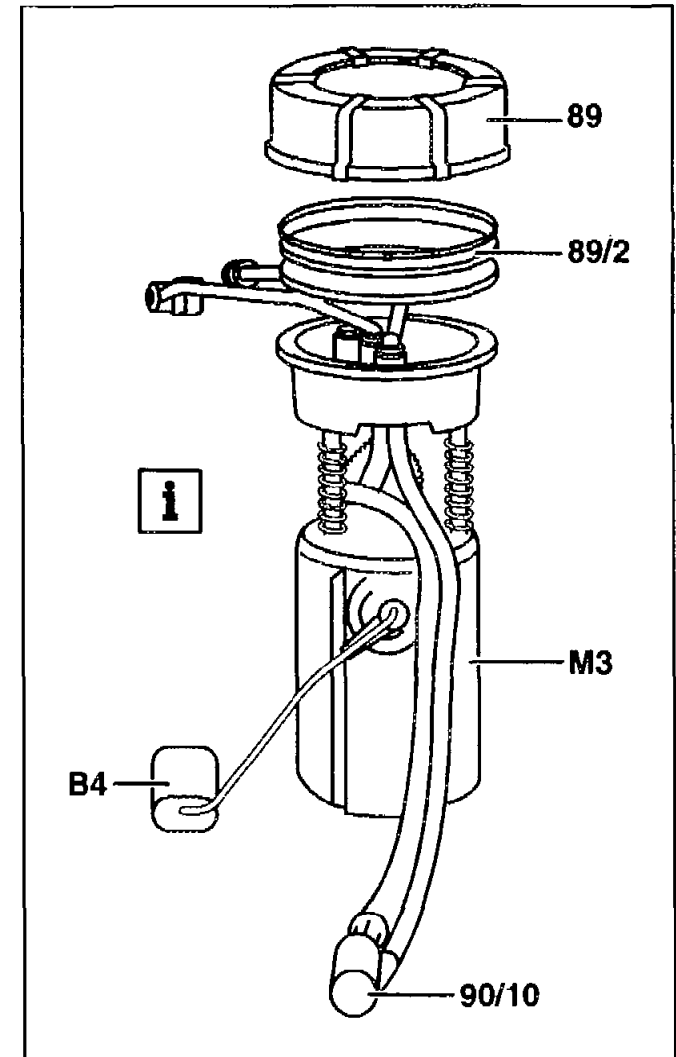




Fig. item etc.	Work instructions		
 Danger!	Risk of explosion from ignition. Risk of poisoning from inhaling and swallowing fuel. Risk of injury as a result of fuel coming into contact with skin and eyes.	No fire, naked flame or smoking. Pour fuels only into suitable and appropriately marked containers. Wear protective clothing when handling fuel.	AS47.00-Z-0001-01A D17
B4	Fuel gage sensor Removing see: Removing and installing fuel pumps	 Fuel gage sensor (B4) and fuel pump (M3) form one unit	AR47.20-P-5713GH H7