



01

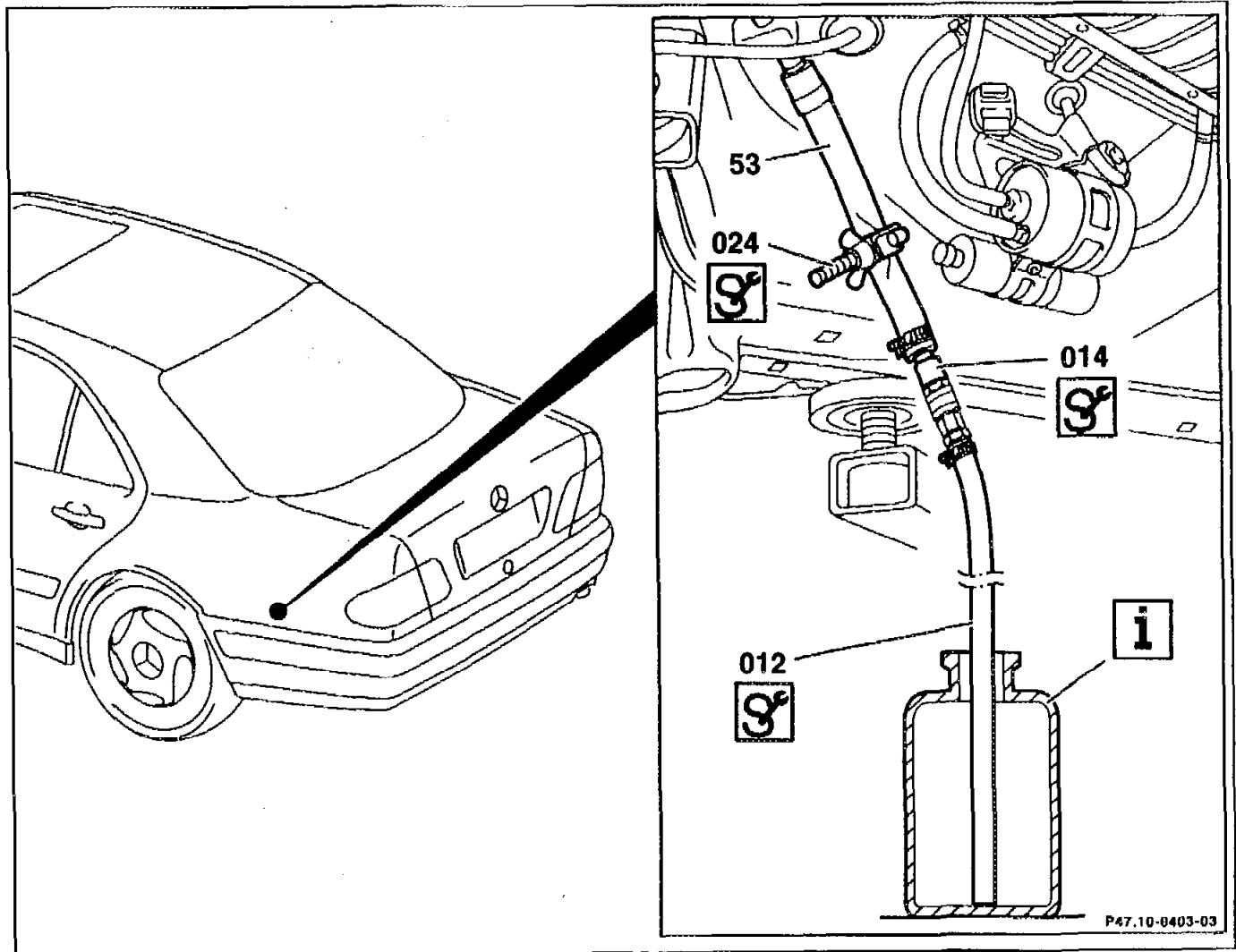
AR47.10-P-4001F





Draining and filling fuel tank

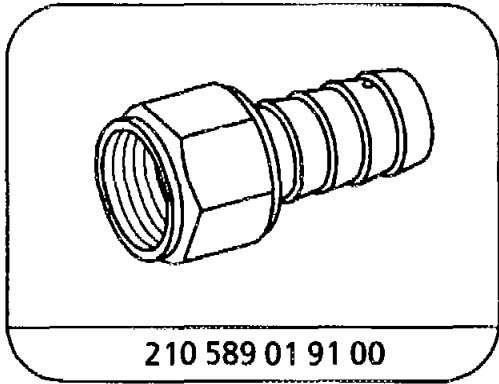
12.9.97

**MODEL 129, 170, 210****with CODE (494a) USA version****with CODE (808) Model year 1998****Shown on model 210**

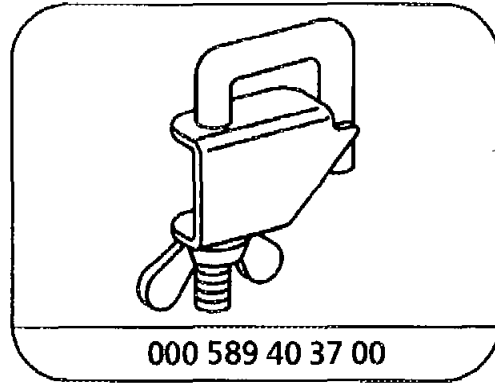
- 012 Drain hose
- 014 Connector
- 024 Clamp
- 53 Fuel suction hose



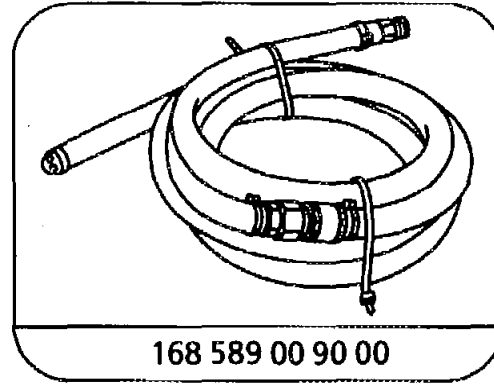
 <b>Danger!</b>	<b>Risk of explosion from ignition. Risk of poisoning from inhaling and swallowing fuel. Risk of injury as a result of fuel coming into contact with skin and eyes</b>	<b>No fire, naked flame or smoking Pour fuels only into suitable and appropriately marked containers Wear protective clothing when handling fuel</b>	AS47.00-Z-0001-01A <b>D17</b>
1	Remove cover		
2	Pinch off fuel suction hose (53)		000 589 40 37 00
3	Detach fuel suction hose (53)		
4	Fit on drain hose (012) together with connector (014)	  The vehicle must be connected to the safety tank by a ground cable in order to avoid static charging	210 589 01 91 00
5	Remove cap at fuel filler neck		
6	Drain fuel into safety tank		



Connector



Clamp



Suction hose