

D1

AR47.10-P-4000GH

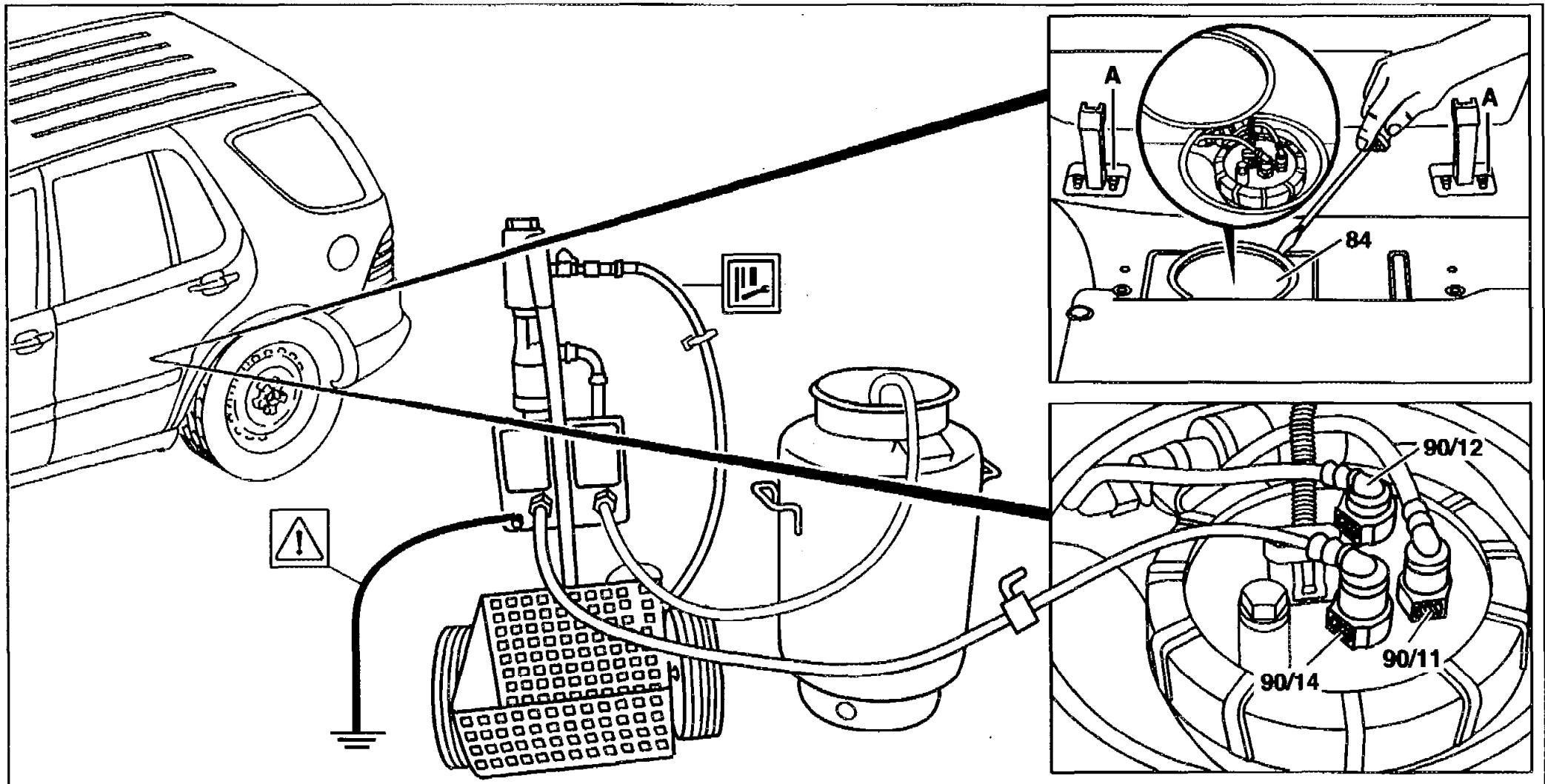
Draining fuel tank if fuel pump faulty

28.10.97

MODEL 163.136 with ENGINE 111.977






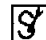

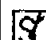
MODEL 163.154 with ENGINE 112.942

MODEL 163.172 with ENGINE 113.942




84 Cover

90/11 Fuel return line
90/12 Fuel feed line90/14 Suction line
A Rear seat mounting brackets

	Draining or pumping out		
 Danger!	Risk of explosion from ignition. Risk of poisoning from inhaling and swallowing fuel. Risk of injury as a result of fuel coming into contact with skin and eyes.	No fire, naked flame or smoking. Pour fuels only into suitable and appropriately marked containers. Wear protective clothing when handling fuel.	AS47.00-Z-0001-01A D17
1	Take off rear seat mounting brackets (A) of the left rear seat group at the vehicle floor	 Use a square timber about 50 cm long to support rear seat group to floor of vehicle 	BA91.12-P-1001-03A
2	Turn over carpeting sufficiently until the cover (84) of the body to the fuel pump is easily accessible	 Carpeting must not be bent	
3	Remove cover (84) of the body	 Cover (84) is stuck in place with body sealant. Heat with hot air fan to facilitate removing	
4	Detach fuel feed line (90/12)		163 589 00 37 00
5	Use adapter hose to connect extraction hose (90/14) to connection for fuel feed line (90/12)	 	168 589 00 90 00 163 589 00 91 00



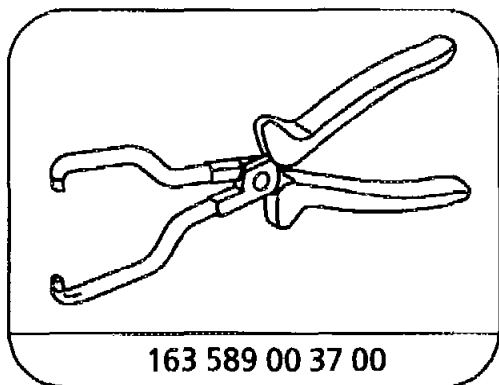
6	Use suction pump to pump out fuel into safety tank	 Pay attention to capacity	BF47.10-P-1001-01A WH58.30-Z-1001-16A
---	----------------------------------------------------	---------------------------------------------------------------------------------------------------------------	----------------------------------------------

 Rear seats

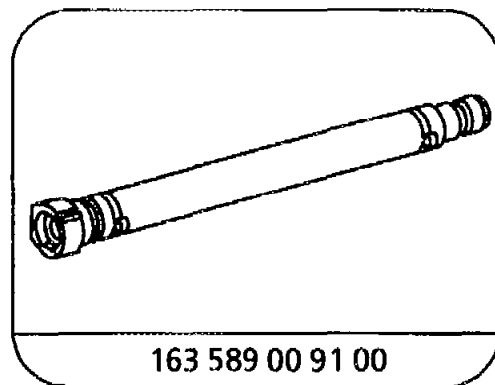
Number	Designation	Model 163
BA91.12-P-1001-03A	Bolt of rear seat mounting bracket to vehicle floor	Nm 50

 Fuel tank

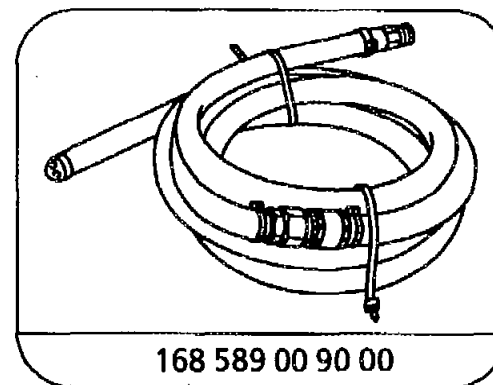
Number	Designation			Model 163
BF47.10-P-1001-01A	Tank capacity	Total capacity	Liters	72
		Reserve capacity	Liters	10



Pliers



Adapter hose



Extraction hose

Commercially available tools (see Workshop Equipment Manual)

Number	Designation	Make (e.g.)	Order number
WH58.30-Z-1001-16A	Suction pump Saugmaster M2P 20 B	Ecco GmbH Vonkeln 17 D-42349 Wuppertal	9749 5000 50