



A5

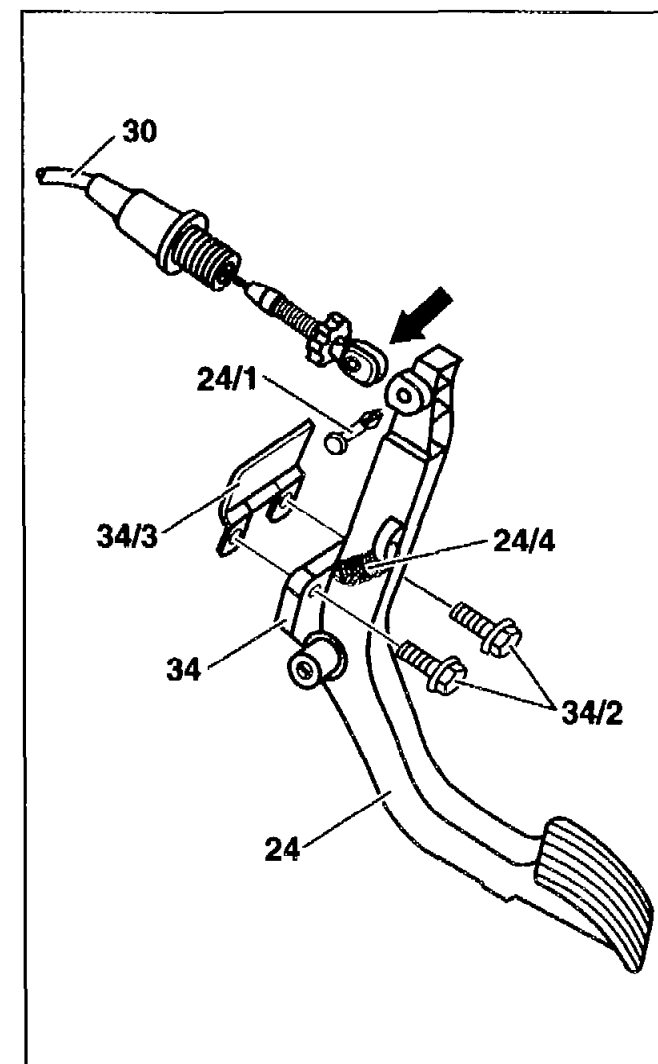
AR30.12-P-1321GH

Removing and installing accelerator pedal




4.3.97

ENGINE 111.977 in MODEL 163.136**ENGINE 112.942 in MODEL 163.154**

- 24 Accelerator pedal
- 24/1 Expanding pin
- 24/4 Accelerator pedal restoring spring
- 30 Bowden cable
- 34 Firewall pivot point
- 34/2 Bolts
- 34/3 Locking plate





 	Removing, installing		
1	Detach throttle control cable (30) at accelerator pedal (24) (arrow)	 Pull out expanding pin (24/1) for this step	
2	Unscrew bolts (34/2) at accelerator pedal (24)		
3	Take out accelerator pedal (24)		
4	Install in the reverse order		