



P4	AR30.12-P-1321D	Removing and installing accelerator pedal	
----	-----------------	---	--

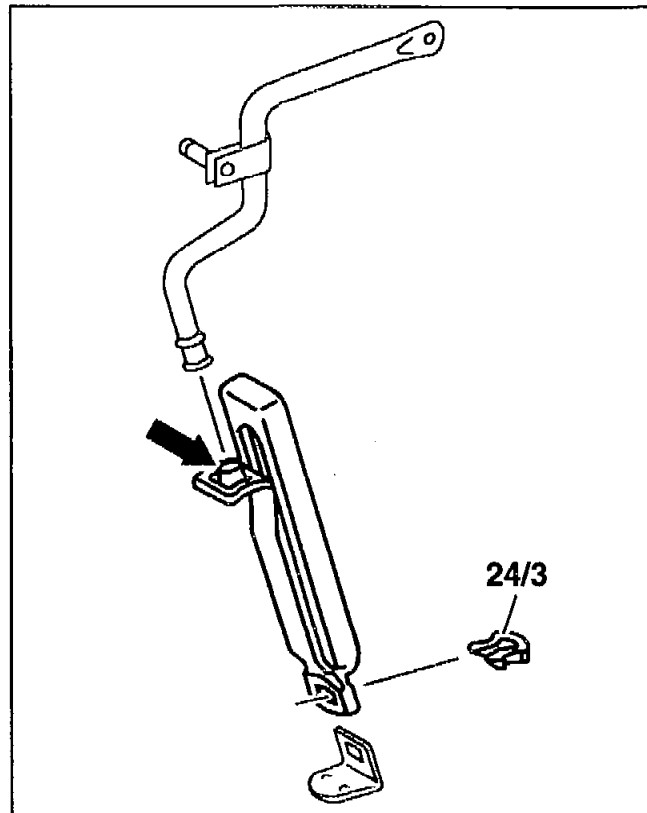
**MODEL 124, 129, 140, 170, 202, 208, 210, 463, 461**

*Left-hand illustration*

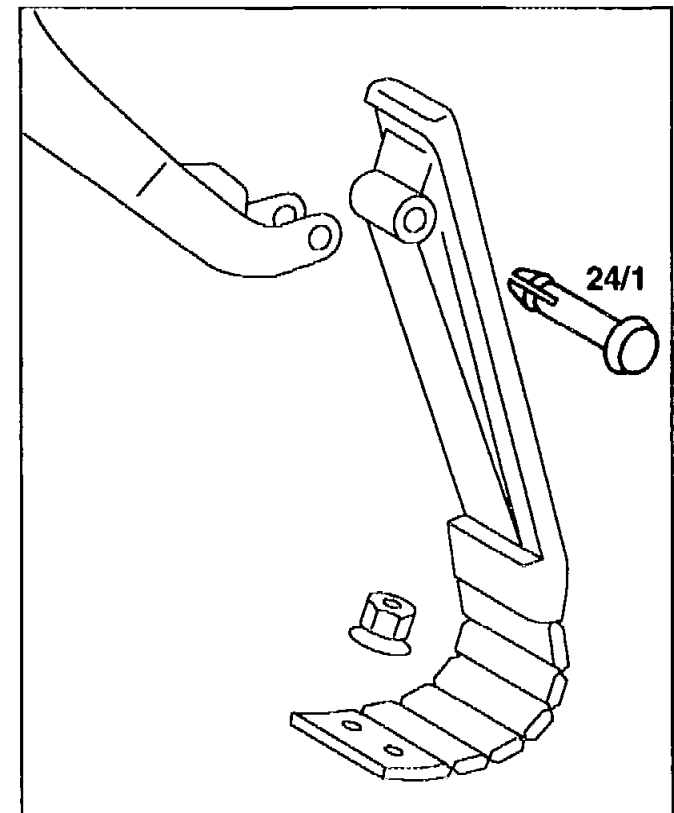
Model 124, 463, 461

*Right-hand illustration*

Model 129, 140, 170, 202, 208, 210



P30.10-0220-02



P30.10-0221-02

Fig. item, etc.	Work instructions		
24/3, 24/1	Expanding clip or expanding pin	expanding clip or expanding pin must lock securely in place	