



P8	AR15.12-P-2183GA	Replacing knock sensor	22.2.96
-----------	------------------	-------------------------------	----------------

ENGINE 111.960 as of 1.12.94 in MODEL 124

ENGINE 111.977 in MODEL 163

ENGINE 111.943 /946 /973 in MODEL 170

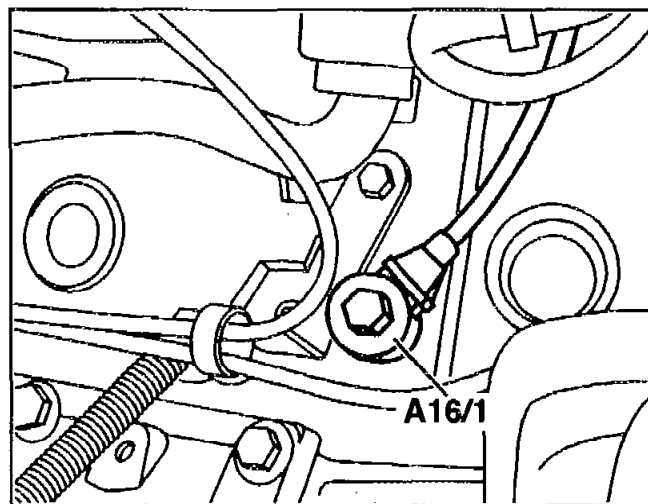
**ENGINE 111.921 /945,
111.961 as of 1.12.94,
111.974
in MODEL 202**

ENGINE 111.945 /975 in MODEL 208

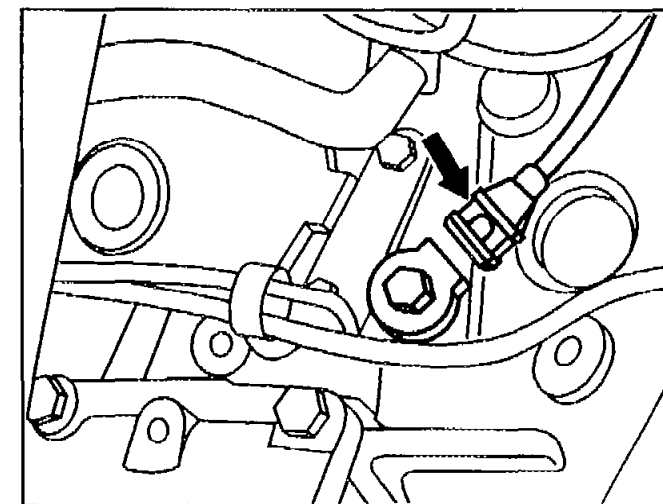
ENGINE 111.947 /970 in MODEL 210

A16/1 Knock sensor

Arrow Connector



P15.12-0261-01



P15.12-0262-01

Fig. item, etc.	Work instructions		
A16/1	Knock sensor		



Arrow	Knock sensor connector	Unplug. Compress retaining clip for this step	
-------	------------------------	---	--