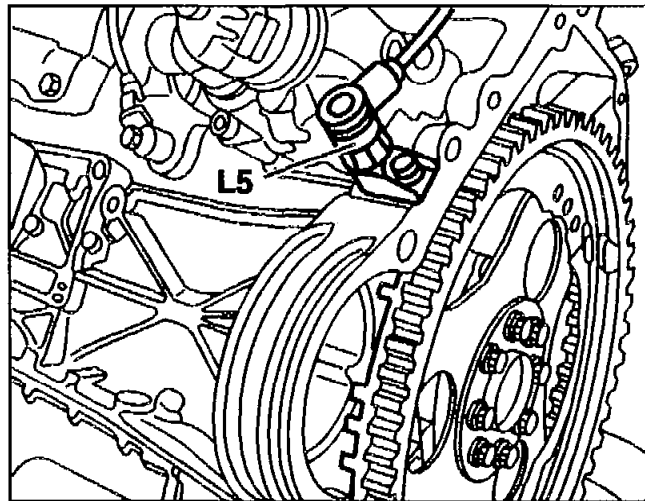


H8

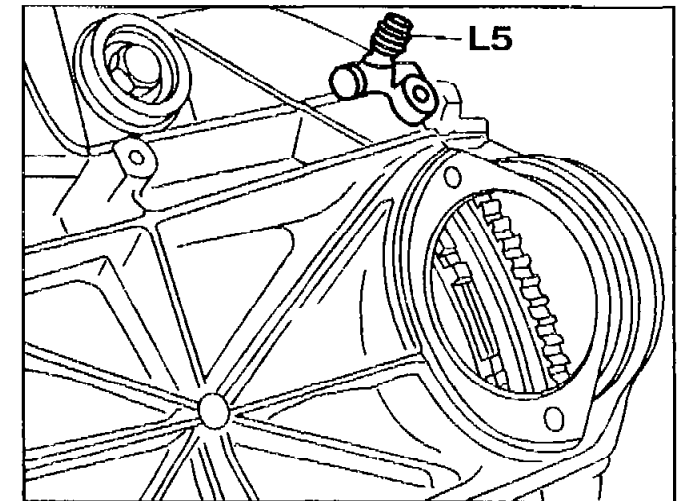
AR15.12-P-2133GA

Removing and installing crankshaft position sensor

21.12.94

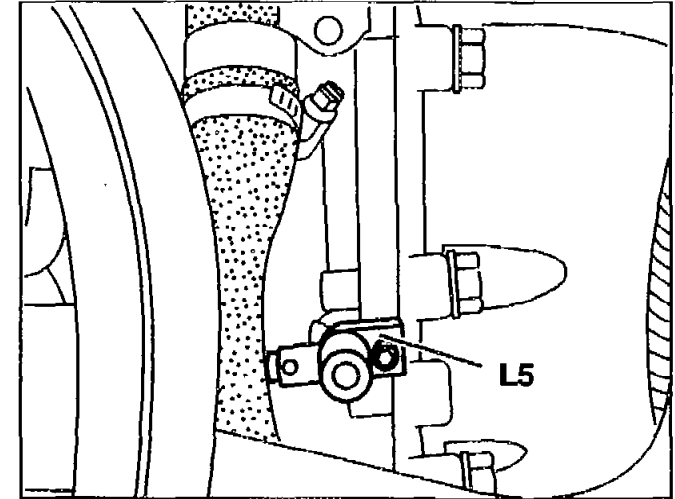
ENGINE 111.977 in MODEL 163**ENGINE 111.943 /946 /973 in MODEL 170****ENGINE 111.921 /945 /974 in MODEL 202****ENGINE 111.945 /975 in MODEL 208****ENGINE 104.945 /995, 111.942 /947 /970 in MODEL 210****Left-hand illustration, engine 104**

P15.12-0252-01

Right-hand illustration, engine 111 in model 210**L5 Crankshaft position sensor**

P15.12-0251-01

Engine 111 in model 163, 170, 202, 208
L5 Crankshaft position sensor



P15.12-0260-01

Fig. item, etc.	Work instructions		
i	Remove starter, install	Engine 104, 111	AR15.30-P-7100EA
L5	Crankshaft position sensor		