

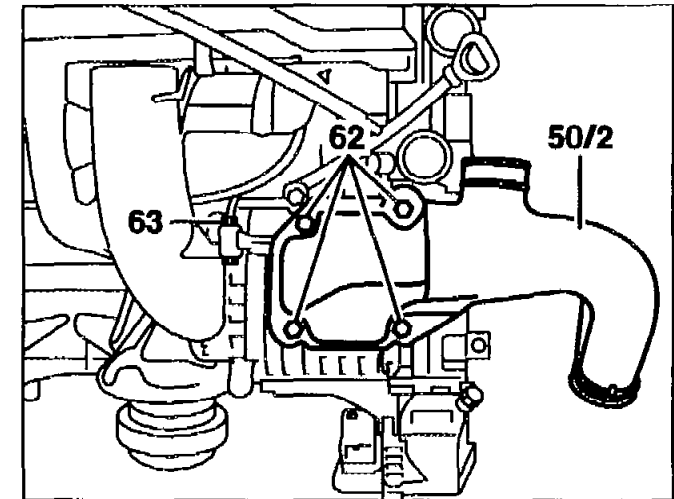


H6

AR09.50-P-8831A

Removing and installing pressure connection at compressor

3.7.95

ENGINE 111.943 /944 /947 /973 /975*Shown on model 111.975**50/2 Pressure connection**62 Bolts of pressure connection to compressor**63 Connecting bolt of air intake/pressure connection*

P09.50-0225-01

☒ ☒	Removal, installation		
1	Remove air cleaner	ⓘ Disconnect suction and pressure pipe at compressor and seal openings at compressor	AR09.10-P-1050GA J2
2	Unbolt hose to intercooler at pressure connection	ⓘ Seal off hose	
3	Remove pressure connection (50/2)	ⓘ Replace gasket Nm Nm	BA09.50-P-1005-01A BA09.50-P-1006-01A

4.1	Remove hot water circulation pump	i Only model 210	
5	Install in the reverse order		

Nm Compressor

Number	Designation	Engine 111.943/ 944/947/ 973/975
BA09.50-P-1005-01A	Pressure connection to compressor	Nm 25
BA09.50-P-1006-01A	Connecting bolt of air intake/pressure connection	Nm 15