

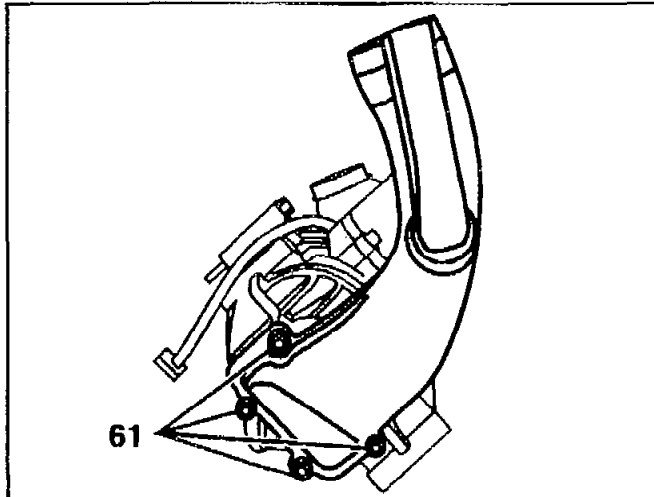
F6

AR09.50-P-8821A

Removing and installing air intake at compressor

3.7.95

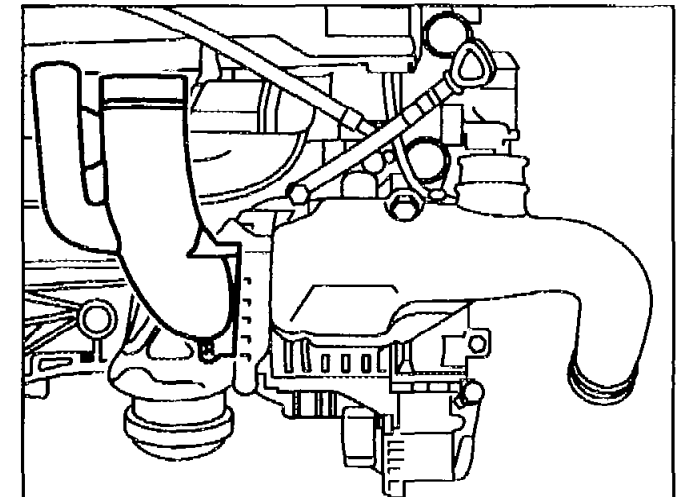
ENGINE 111.943 /944 /947 /973 /975



P09.50-0230-01

*Shown on model
111.975
61 Bolts*

Side view



P09.50-0213-01

| | | | |
|------------|---|---|--|
| | <p>Removal, installation</p> | | |
| <p>1</p> | <p>Remove air cleaner</p> | <p> Disconnect suction and pressure pipes at compressor and seal openings at compressor</p> | <p>AR09.10-P-1050GA J2</p> |
| <p>2.1</p> | <p>Remove engine mount and engine support</p> | <p>Engine 111.944/975 only model 202 Engine 111.947 only model 210</p> | <p>AR22.10-P-1260HA</p> |
| <p>3</p> | <p>Remove air intake</p> | <p> Replace rubber seal</p> <p></p> <p></p> | <p>BA09.50-P-1004-01A BA09.50-P-1006-01A</p> |



| | | | |
|---|------------------------------|--|--|
| 4 | Install in the reverse order | | |
|---|------------------------------|--|--|

Nm Compressor

| Number | Designation | Engine |
|--------------------|---|---------------------------------|
| | | 111.943/ 944/947/ 973/975 |
| BA09.50-P-1004-01A | Air intake at compressor | Nm 25 |
| BA09.50-P-1006-01A | Connecting bolt of air intake/pressure connection | Nm 15 |