



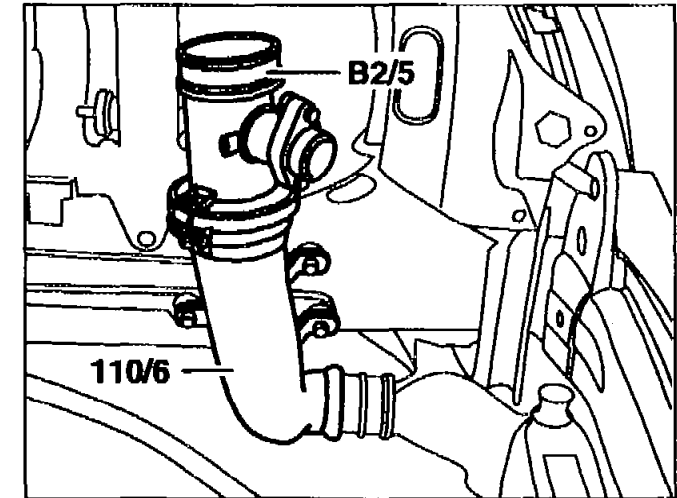
E6	AR09.50-P-8680A	Removing and installing charge air duct downstream of charge air cooler	3.7.95
----	-----------------	---	--------

ENGINE 111.943 /944 /947 /973 /975

Shown on model 111.975

110/6 Charge air duct

B2/5 Hot film mass air flow sensor



P09.50-0224-01

Fig. item, etc.	Work instructions		
B2/5	Hot film mass air flow sensor	disconnect	AR07.07-P-1453D
110/6	Charge air duct	remove	