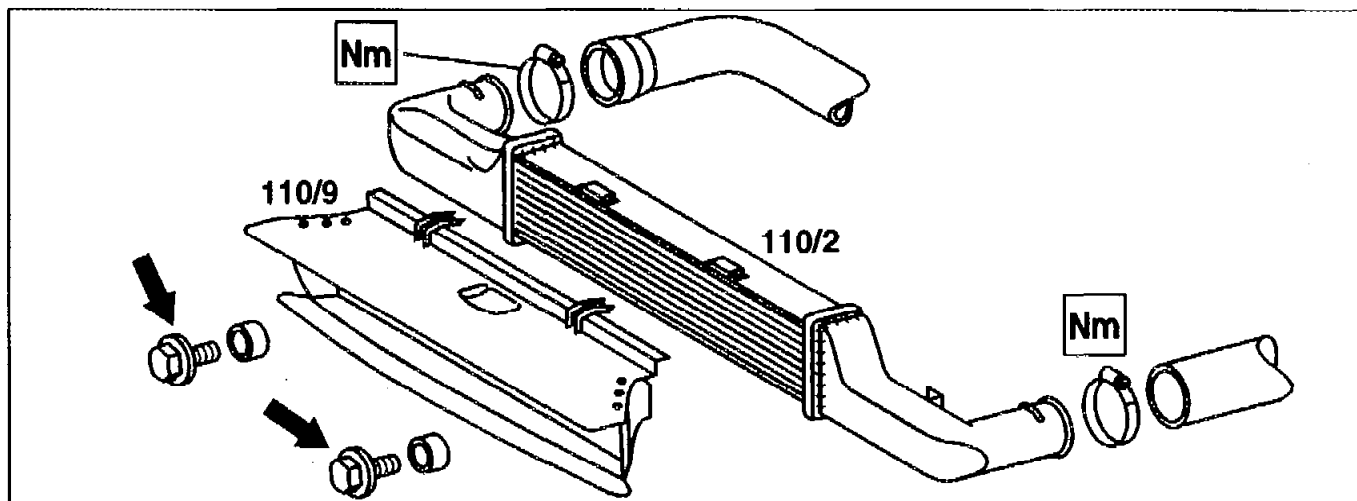




P4	AR09.41-P-6817C	Removing and installing intercooler	5.9.95
----	-----------------	-------------------------------------	--------

ENGINE 111.947 in MODEL 210.045 /245
ENGINE 602.982 in MODEL 210.017 /217
ENGINE 605.962 in MODEL 210.015 /215
ENGINE 606.962 in MODEL 210.025 /225
ENGINE 611.961 in MODEL 210.006 /206

110/2 Intercooler
 100/9 Air scoop
 Arrows Bolts



P09.41-0214-04

Modification notes

21.1.98	Charge air hoses, intercooler with enlarged fit-on length	see step 3	AR09.41-P-1311H
---------	---	------------	-----------------

	Removing, installing		
1	Remove front bumper		AR88.20-P-2000F

**Nm** Charge air pipe/intercooling

Number	Designation	Engine 602.982/ 983	Engine 605.960/ 962	Engine 606.961/ 962
BA09.41-P-1002-01A	Hose clips of charge air pipes/hoses	Nm 4	4	4

Nm Charge air pipe/intercooling

Number	Designation	Engine 611.960/ 961
BA09.41-P-1002-01A	Hose clips of charge air pipes/hoses	Nm 3

Nm Charge air pipe/intercooling

Number	Designation	Engine 111.944/ 947/975
BA09.41-P-1001-01B	Hose clips of charge air pipes/hoses	Nm 3

Repair products

Number	Designation	Order number
BR00.45-Z-1004-04A	MB stain remover	001 986 28 71