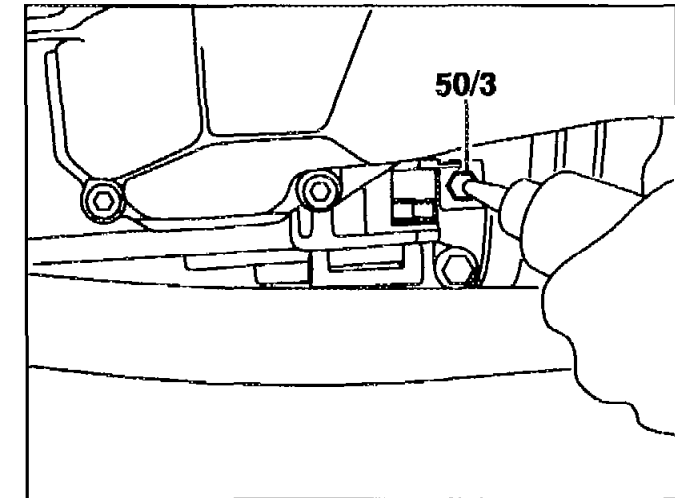







C6	AR09.50-P-6005A	Checking compressor oil level, adjusting to correct level	3.7.95
----	-----------------	---	--------

**ENGINE 111.943 /944 /947 /973 /975**

50/3 Oil filler and inspection plug



P09.50-0226-01

Fig. item, etc.	Work instructions		
	Remove air cleaner	Disconnect suction and compressor pipe at compressor and seal openings at compressor	AR09.10-P-1050G E2
	Compressor special oil		BR00.45-Z-1017-06A
	Oil filler and inspection plug		BA09.50-P-1007-01A
50/3	Oil filler and inspection plug	unscrew. Oil must extend up to not more than lower edge of threaded hole	



		<b>i</b> If oil level is too high, severe oil foaming will occur; oil may flow out	
--	--	--	--

**Nm** Compressor

Number	Designation	Engine
		111.943/ 944/947/ 973/975
BA09.50-P-1007-01A	Oil filler and inspection plug	Nm 10

## Repair products

Number	Designation	Order number
BR00.45-Z-1017-06A	Compressor special oil	000 989 62 01