

B4

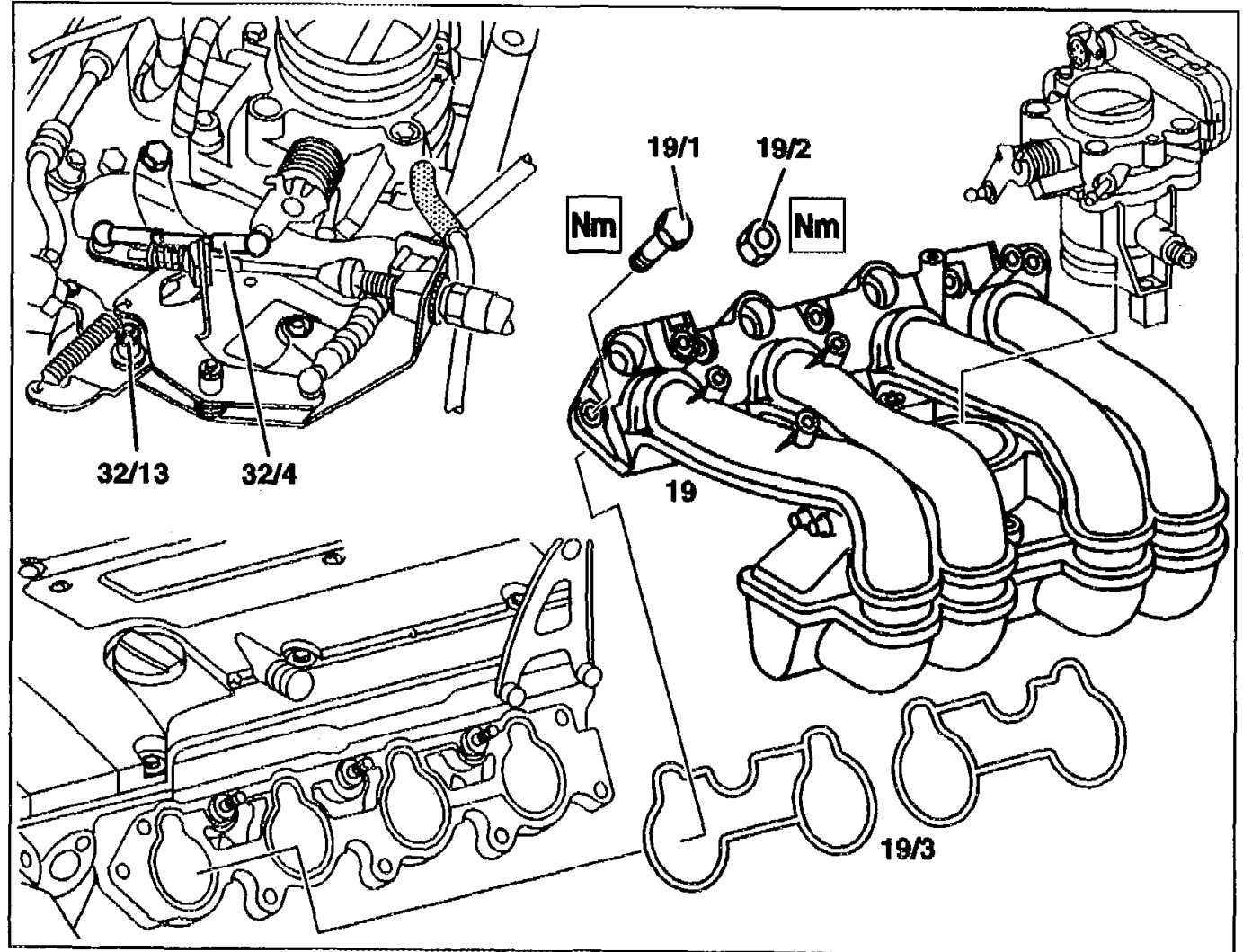
AR09.20-P-1310GA

Removing and installing intake manifold

2.12.94

ENGINE 111.921 /942 /945 /946 /970 /974 /977

- 19 Intake manifold
- 19/1 Bolt
- 19/2 Nut
- 19/3 Moulded sealing ring
- 32/4 Connecting rod
- 32/13 Bolt





	Removing, installing		
1	Disconnect ground cable at battery		AR54.10-P-0003A
2	Remove air cleaner crosspipe		
Danger!	Risk of explosion as a result of fuel vapors igniting. Risk of poisoning as a result of inhaling fuel vapors. Risk of injury as a result of fuel coming into contact with skin and eyes.	No fire, naked flame or smoking. Pour fuels only into suitable and appropriate marked containers. Wear protective clothing when handling fuel.	AS47.00-Z-0001-01A P16
3	Remove fuel rail with injectors		AR07.03-P-1450D B1
4	Detach all vacuum lines and electric cables	Installation: ↓ Connect vacuum lines according to connection diagram Engine 111.942/970 up to 05/96 Engine 111.942/970 as of 06/96 Engine 111.921/945/974 as of 09/96 Engine 111.977 as of 04/98 Engine 111.946	AR09.20-P-1310-01GA M16 AR09.20-P-1310-01GB L16
5	Unclip bracket of engine wiring harness		
6	Unplug connectors of crankshaft position sensor and knock sensor		
7	Disconnect circuit 50 at starter		AR15.30-P-7100EA
8	Remove idle speed control (ISC) actuator		AR30.22-P-1152D



9	Disconnect throttle control from intake manifold	Unscrew bolts (32/13) for this step and unclip throttle control at cable duct	
10	Slacken bolts (19/1) and nuts (19/2) and take out intake manifold (19)	Nm i Installation: Inspect gasket (19/3), replace if necessary	BA09.20-P-1001-01B
11	Install in the reverse order		
12	Check idling, set	See DMNL Engine, Volume 1/Index B	
13	Check throttle control, set	i Without plastic bearing bracket i With plastic bearing bracket and manual transmission i With plastic bearing bracket and automatic transmission	AR30.10-P-1010G AR30.10-P-1010GA AR30.10-P-1010GB

Nm Intake manifold

Number	Designation	Engine 111
BA09.20-P-1001-01B	Bolts and nuts of intake manifold on cylinder head	Nm 20