



B2

AR09.10-P-1050D

Removing and installing air cleaner

3.8.94

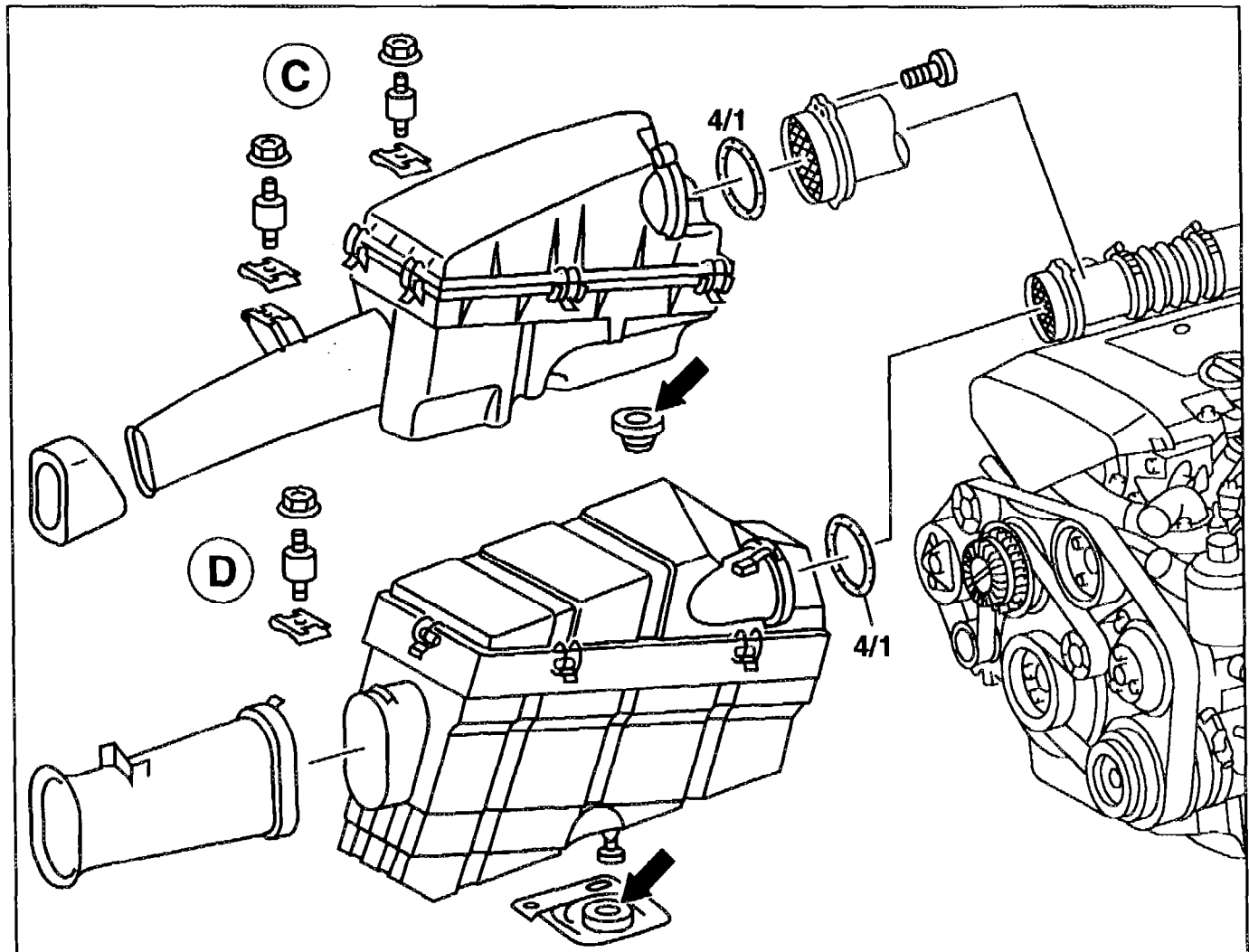
ENGINE 104.941 /942 /943 /944 /991 /992 /994
ENGINE 104 in MODEL 202.028, 210.055

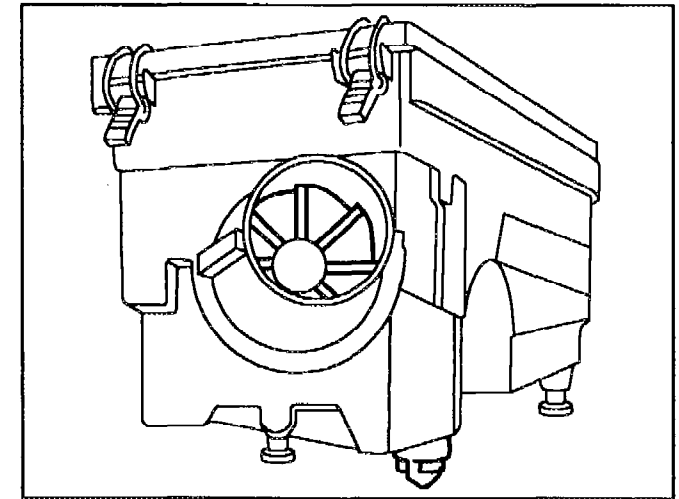
C Model 129

D Model 140

4/1 O-ring

Arrow Rubber mount




**Cyclone separator (models 124, 140 only)**

P09.10-0203-01

Fig. item, etc.	Work instructions		
i	Cyclone separator	Models 124, 140 When retrofitting, replace complete air cleaner. Model 129 Retrofitting not possible. Air cleaner element is provided with filter felt or foam.	
4/1	O-ring	i Installing: check, replace if necessary. Oil for installing.	
Arrows	Pins of air cleaner	i Installing: press into rubber mount (arrow).	



	Air cleaner housing version	Model 202.028, 210.055 code 957a, C 36, E 36 AMG	GF09.10-P-1050-02A C18
---	-----------------------------	---	-------------------------------